

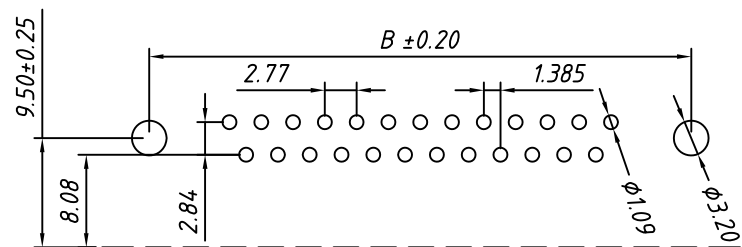
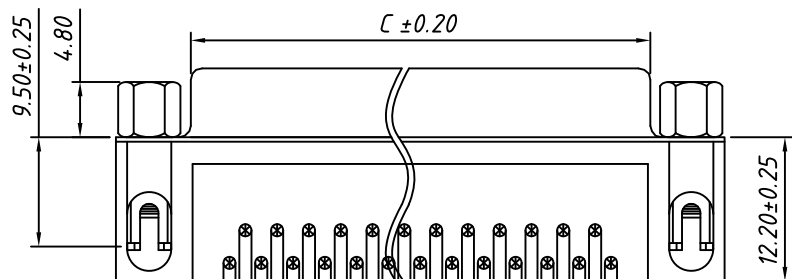
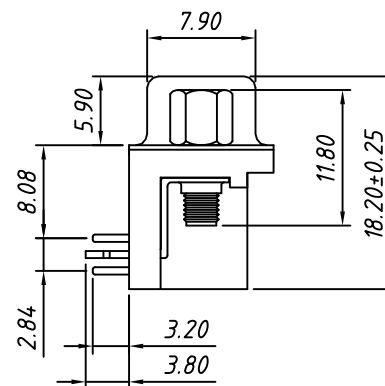
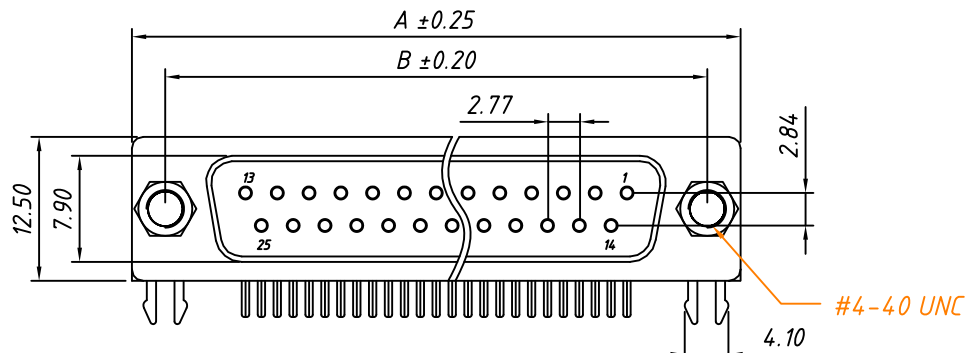
1 RoHS Compliant

Material:
 Housing: PBT+30% Glass filled,UL94V-0
 Contacts: Brass ,Gold Plating.
 Shell: Steel, Nickel Plating

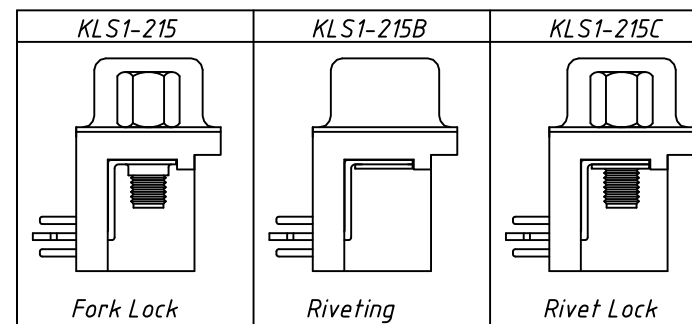
Electrical Characteristics:
 Current Rating: 5 AMP
 Insulator Resistance: 1000MΩ Min. at DC 500V
 Withstanding Voltage: 500V AC (rms) for 1 minute
 Contact Resistance: 20mΩ Max. Initial
 Operating Temperature: -55°C~+105°C

Order Information

L - KLS1 - 215 - XX - F - X
 RoHS
 D-SUB Connector,
 2 Row R/A Through Hole
 Number of Contacts
 Connector type: F-Female
 Housing Color: B-Black



RECOMMENDED PCB LAYOUT
 TOLERANCE: ±0.05mm



Number of Contacts	DIMENSION		
	A±0.25	B±0.20	C±0.20
09	30.80	24.99	16.30
15	39.20	33.30	24.60
25	53.10	47.04	38.30
37	69.34	63.50	54.80

GENERAL TOLERANCE	PROJECTION	Description:
X. ±0.30	UNITS	D-SUB Connector,R/A,
.X ±0.25	SCALE	Through Hole, 8.10mm,Female
.XX ±0.20	Draw by:	L-KLS1-215-XX-F-X
ANGLE TOLERANCE	Check by:	
X. ±3°	Date	2018-03-01
.X ±2°	SHEET	1 OF 1
.XX ±1°		

KLS NingBo KLS ELECTRONIC CO.,L TD.

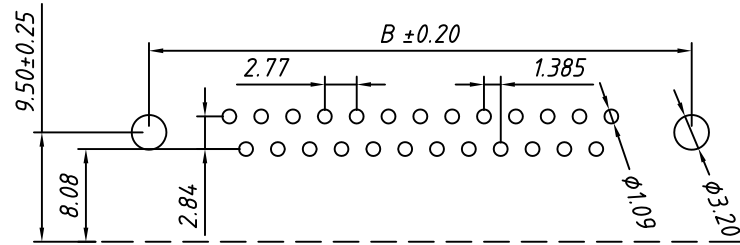
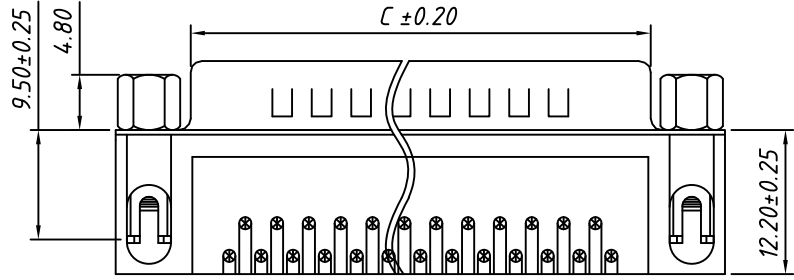
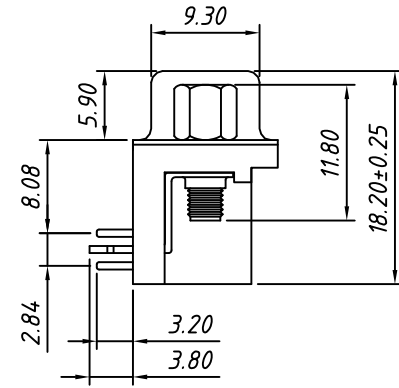
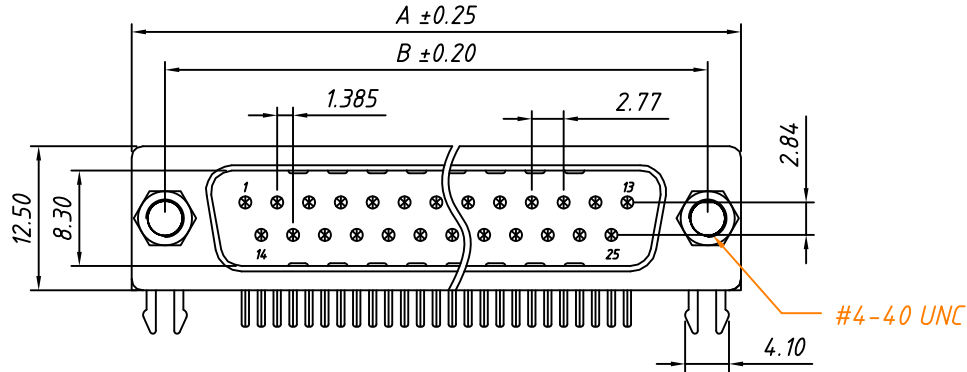
1 RoHS Compliant

Material:
 Housing: PBT+30% Glass filled ,UL94V-0
 Contacts: Brass ,Gold Plating
 Shell: Steel, Nickel Plating

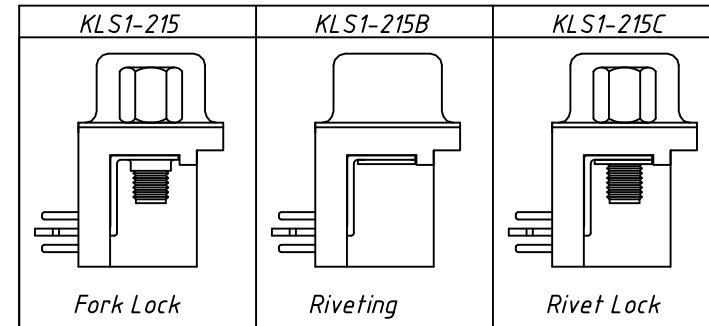
Electrical Characteristics:
 Current Rating: 5 AMP
 Insulator Resistance: 1000MΩ Min. at DC 500V
 Withstanding Voltage: 500V AC (rms) for 1 minute
 Contact Resistance: 20mΩ Max. Initial
 Operating Temperature: -55°C ~ +105°C

Order Information

L - KLS1 - 215 - XX - M - X
 RoHS
 D-SUB Connector,
 2 Row R/A Through Hole
 Number of Contacts
 Connector type: M-Male
 Housing Color: B-Black



RECOMMENDED PCB LAYOUT
 TOLERANCE: ±0.05mm



Number of Contacts	DIMENSION		
	A±0.25	B±0.20	C±0.20
09	30.80	24.99	16.90
15	39.20	33.30	25.25
25	53.10	47.04	38.96
37	69.34	63.50	55.42

GENERAL TOLERANCE	PROJECTION		Description:
X. ±0.30	UNITS	mm	D-SUB Connector, R/A, Through Hole, 8.10mm, Male
.X ±0.25	SCALE	1:1	
.XX ±0.20	Draw by:	Daniel	KLS P/N: L-KLS1-215-XX-M-X
ANGLE TOLERANCE	Check by:	Daniel	NingBo KLS ELECTRONIC CO.,L TD.
X. ±3°	Date	2018-03-01	
.X ±2°	SHEET	1 OF 1	