

TRG5

MAIN FEATURES

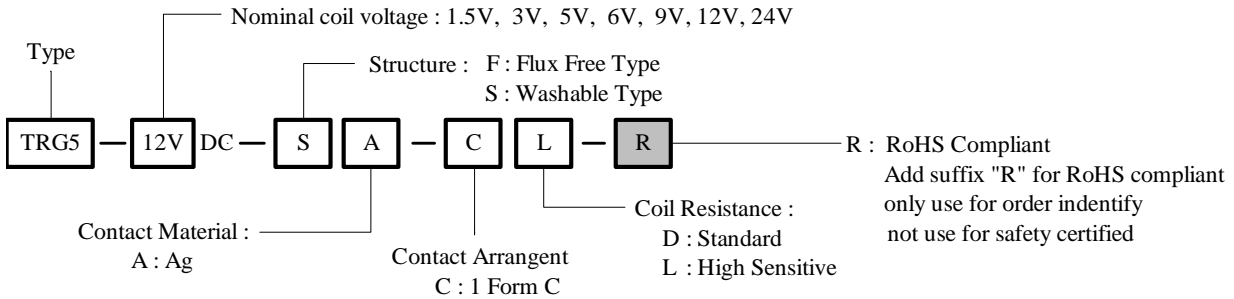
- High Sensitivity : 150 mw.
- 1 Pole Configurations.
- Small Size At 12.5Lx7.5Wx10H mm.
- Sealed Type Available.
- UL and cUL recognized.

APPLICATIONS

- Telecommunication, Domestic appliances, Office Machines, audio equipment.



ORDERING INFORMATION

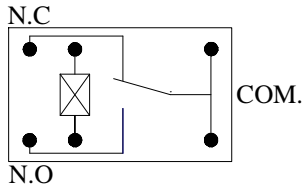
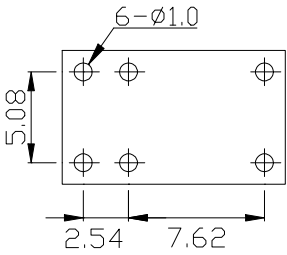
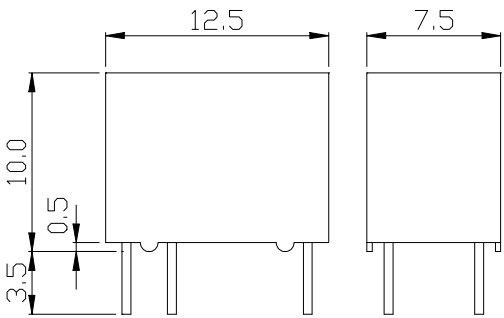


DIMENSION (unit:mm)

DRILLING (unit:mm)

WIRING DIAGRAM

(Bottom views)



COIL DATA CHART (AT20°C)

Coil Sensitivity	Nominal Coil Voltage (VDC)	Nominal Current (mA)	Coil Resistance (Ω) \pm 10%	Power Consumption (W)	Pull-In Voltage (VDC)	Drop-Out Voltage (VDC)	Max-Allowable Voltage (VDC)
TRG5 - L (High sensitivity)	1.5	100	15	abt. 0.15W	80% Max.	10% Min.	110%
	3	50.0	60				
	5	29.9	167				
	6	25.0	240				
	9	16.7	540				
	12	12.5	960				
	24	6.25	3840 \pm 15%				
TRG5 - D (Standard)	1.5	132.7	11.3	abt. 0.2 W	80% Max.	10% Min.	110%
	3	66.7	45				
	5	40.0	125				
	6	33.3	180				
	9	22.2	405				
	12	16.7	720				
	24	8.3	2880 \pm 15%				

CONTACT RATING

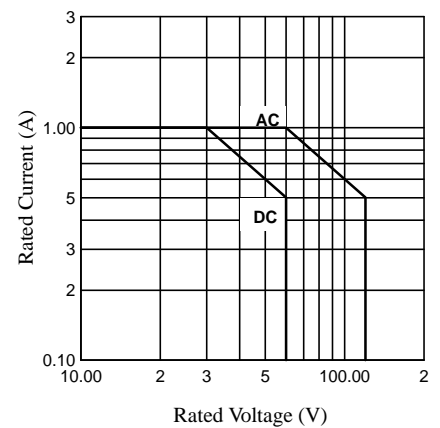
Item	Type	TRG5
Contact Capacity Resistive Load ($\cos \phi = 1$)		0.5A 125VAC 1A 30VDC 0.3A 60VDC
Min Permissible Load		1mA at 5VDC
Rated Carrying Current		1A
Max. Allowable Voltage		125VAC 60VDC
Max. Allowable Current		1A
Max. Allowable Power Force		62.5VA 30W
Contact Material		Ag (Au Plated)

PERFORMANCE (at initial value)

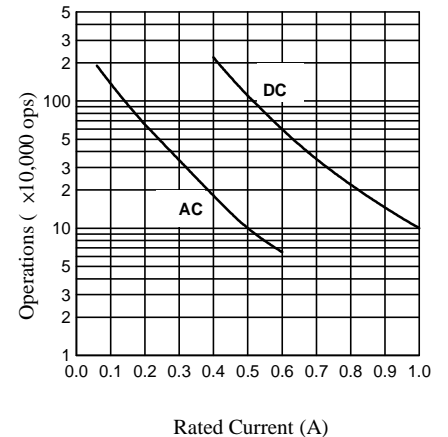
Item	Type	TRG5
Contact Resistance		100m Ω Max.
Operate Time		5msec Max.
Release Time		5msec Max.
Dielectric Strength		Between coil & contact 1000VAC 50/60HZ (1 minute) Between contacts 400VAC 50/60HZ (1 minute)
Insulation Resistance		1000M Ω Min. (500VDC)
Operating Ambient Temperature		-30°C to +70°C (No water condensation and no water drop)
Operating Humidity		35 to 85% RH
Vibration		Endurance 10 to 55HZ Single Amplitude 3.3mm Error Operation 10 to 55HZ Single Amplitude 3.3mm
Shock Resistance		100m/s ²
Life Expectancy		Mechanically 5 \times 10 ⁶ OPS Electrically 1 \times 10 ⁵ OPS
Weight		abt. 2.2grs.
UL & cUL		E156521

REFERENCIAL DATA

Switching Capacity



Electrical Life



This datasheet for reference and subject to change without notice. Please double check final specification with Tai-Shing.