

PLCC Socket Series

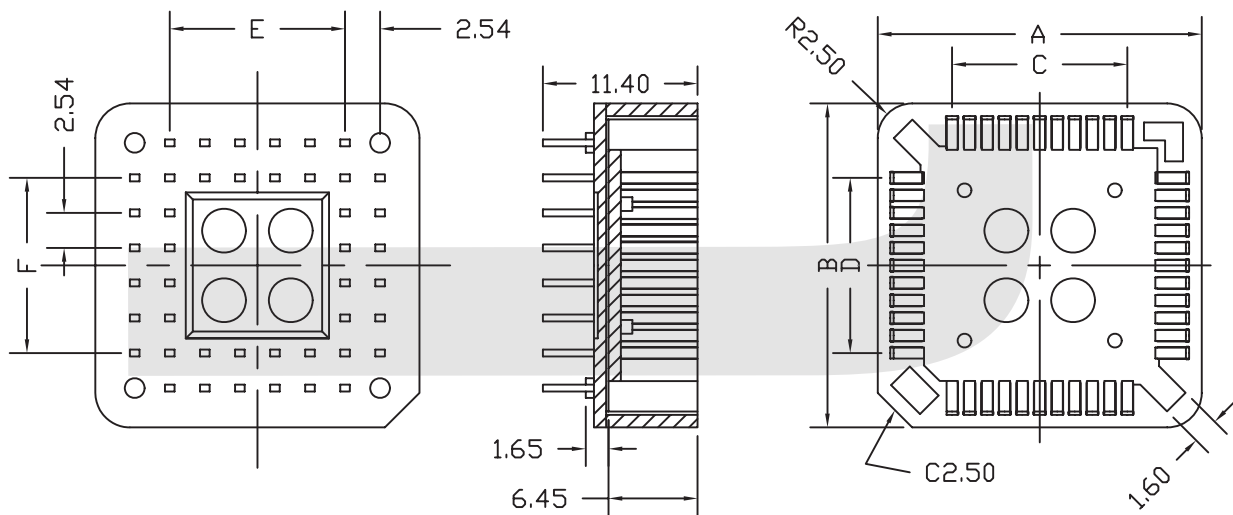
KLS1-210 PLCC CHIP CARRIER SOCKET DIP TYPE

Electrical Characteristics:

Current Rating: 1 AMP
 Insulator Resistance: 5000M Ohm min. at DC 500V
 Contact Resistance: 20m Ohm max. at DC 100mA
 Operating Temperature: -45°C~+110°C
 Soldering temperature: 240°C. 10seconds max

Material:

Housing: 30% Glass filled PPS&PBT UL94V-0
 Contacts: Phosphor Bronze
 Plating: Tin plated: 120u" over 80u" nickel



MIDDLE TYPE:

NO OF CONTACT	A±0.15	B±0.15	C±0.1	D±0.1	E±0.1	F±0.1
20	15.50	15.50	5.08	5.08	5.08	5.08
28	18.04	18.04	7.62	7.62	7.62	7.62
32	18.04	20.60	7.62	10.16	7.62	10.16
44	23.48	23.48	12.70	12.70	12.70	12.70
52	25.88	25.88	15.24	15.24	15.24	15.24
68	31.04	31.04	20.32	20.32	20.32	20.32
84	36.04	36.04	25.40	25.40	25.40	25.40

ORDER INFORMATION

Product No.: KLS1-210-D-XX-B

Pos. No. _____
 PLCC Chip Carrier Socket Series

Color: A=Brown B=Black
 Number of Contacts: XX=20-84Pin
 D=DIP

PLCC Socket Series

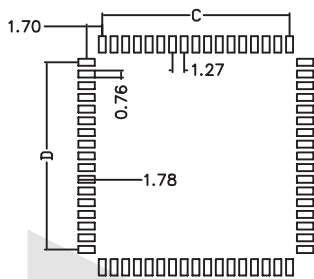
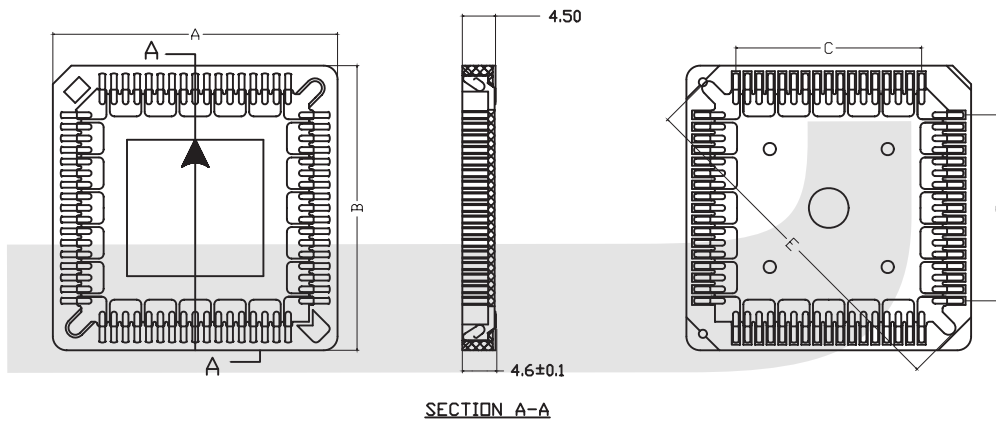
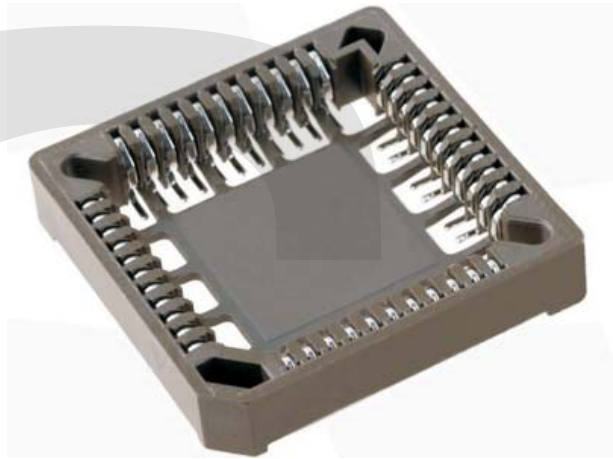
KLS1-210 PLCC CHIP CARRIER SOCKET SMT TYPE

Electrical Characteristics:

Current Rating: 1 AMP
 Insulator Resistance: 5000M Ohm min. at DC 500V
 Contact Resistance: 20m Ohm max. at DC 100mA
 Operating Temperature: -45°C~+110°C
 Soldering temperature: 240°C .10 Seconds max

Material:

Housing: 30% Glass filled PPS&PBT UL94V-0
 Contacts: Phosphor Bronze
 Plating: Tin plated: 120u" over 80u" nickel



P.C.B LAYOUT

NO. OF CONTACT	A±0.2	B±0.2	C±0.1	D±0.1	E±0.2
20	15.66	15.66	5.08	5.08	17.28
28	18.20	18.20	7.62	7.62	20.87
32	18.20	20.74	7.62	10.16	23.15
44	23.28	23.28	12.70	12.70	28.05
52	25.82	25.82	15.24	15.24	31.65
68	30.90	30.90	20.32	20.32	38.83
84	35.98	35.98	25.40	25.40	46.00

ORDER INFORMATION

Product No.: KLS1-210-S-XX-A

Pos. No. _____ Color: A=Brown B=Black
 PLCC CHIP CARRIER SOCKET Series _____ Number of Contacts: XX=20-84Pin
 S=SMT