

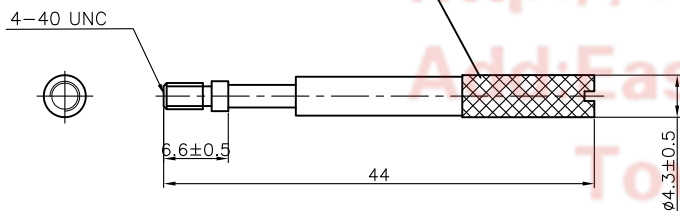
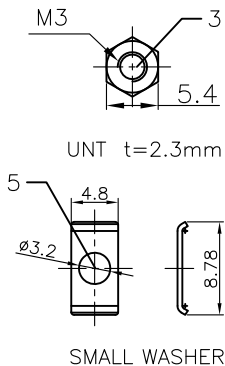
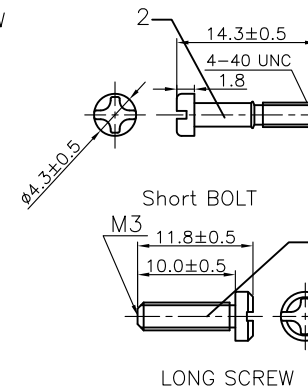
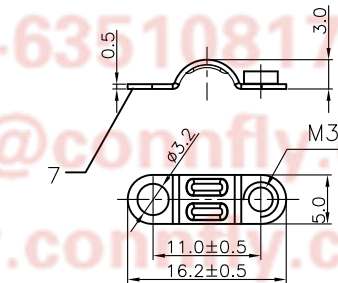
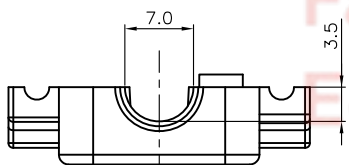
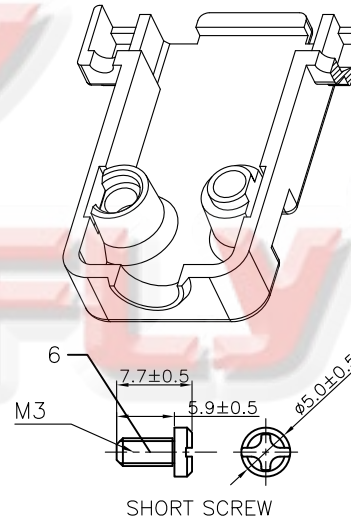
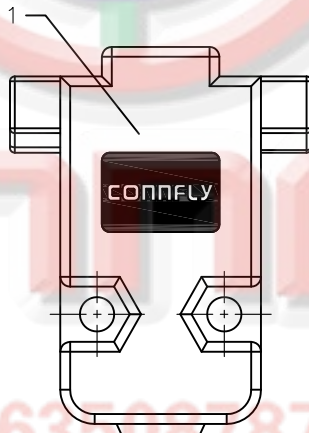
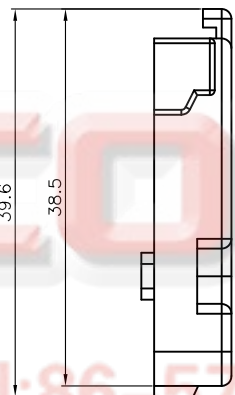
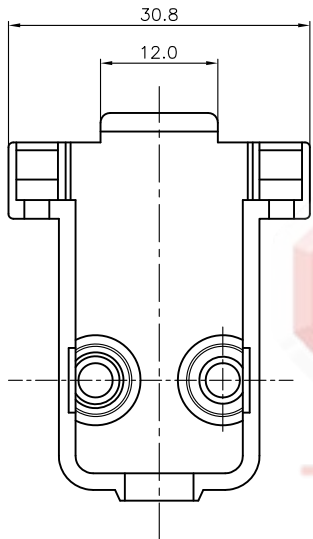
BOM LIST			
ITEM	PART NAME	Q'ty	NOTES
1	PLASTIC HOOD	2	ABS
2	2.1 LONG BOLT	2	#4-40
	2.2 SHORT BOLT	2	#4-40
3	NUT	2	M3
4	LONG SCREW	2	M3
5	SMALL WASHER	2	
6	SHORT SCREW	2	M3
7	METAL WASHER	2	M3

REV.	DESCRIPTION	DRAWN	CHECKED	APPROVED
A	NEW RELEASE	LJH 08/13/05'	~	LJC 08/13/05'
B	整理图画	YCH 09/13/07'	~	LJC 05/20/10'
C	改M3*12的螺钉为M3*10	YCH 08/30/10'	~	LJC 08/30/10'
E	DRAWING UPDATE	JLZ 05/19/16'	~	

NOTES:

1. PART NUMBER CODE:

DS1046 - 09 X X X X
 Washer type
 1: Metal
 Bolt type
 L: Long
 S: Short
 Packing type
 1: Mix packing
 Cover Material
 C: Chromium plating
 Position
 09: 9pin



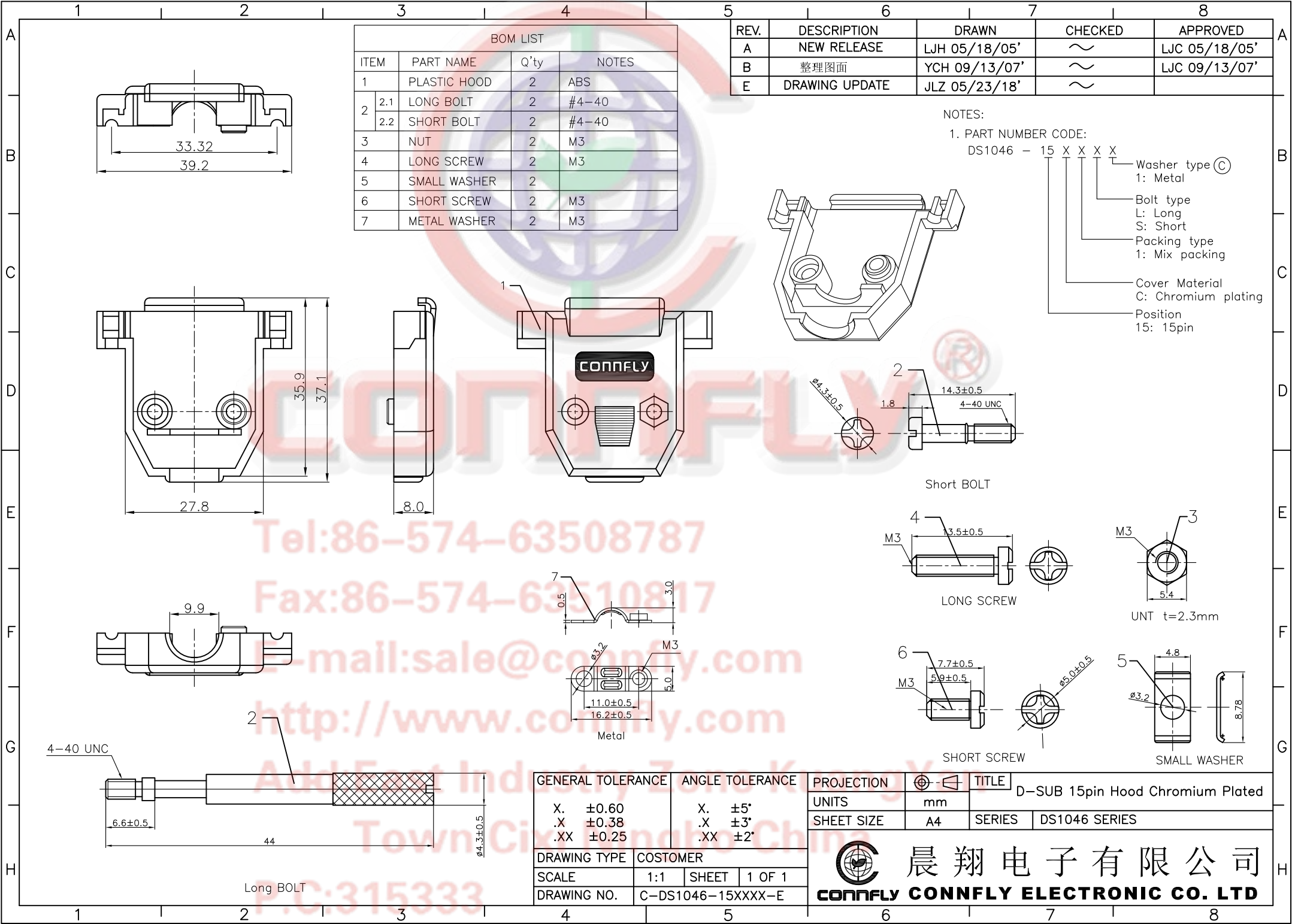
GENERAL TOLERANCE		ANGLE TOLERANCE	
X.	±0.60	X.	±5°
.X	±0.38	.X	±3°
.XX	±0.25	.XX	±2°

PROJECTION	TITLE
UNITS	D-SUB 9pin Hood Chromium Plated
SHEET SIZE	SERIES DS1046 SERIES

DRAWING TYPE	COSTOMER		
SCALE	1:1	SHEET	1 OF 1
DRAWING NO.	C-DS1046-09XXXX-E		

CONNFLY 晨翔电子有限公司
CONNFLY ELECTRONIC CO. LTD

Tel: 86-574-63506787
 Fax: 86-574-63510811
 E-mail: sale@connfly.com
 http://www.connfly.com
 Add: East Industry Zone KuangYan
 Town Cixilingo, China
 P.C: 315333



BOM LIST			
ITEM	PART NAME	Q'ty	NOTES
1	PLASTIC HOOD	2	ABS
2	2.1 LONG BOLT	2	#4-40
	2.2 SHORT BOLT	2	#4-40
3	NUT	2	M3
4	LONG SCREW	2	M3
5	SMALL WASHER	2	
6	SHORT SCREW	2	M3
7	METAL WASHER	2	M3

REV.	DESCRIPTION	DRAWN	CHECKED	APPROVED
A	NEW RELEASE	LJH 05/18/05'	~	LJC 05/18/05'
B	整理图面	YCH 09/13/07'	~	LJC 09/13/07'
E	DRAWING UPDATE	JLZ 05/23/18'	~	

NOTES:

1. PART NUMBER CODE:

DS1046 - 15 X X X X
 Washer type ©
 1: Metal
 Bolt type
 L: Long
 S: Short
 Packing type
 1: Mix packing
 Cover Material
 C: Chromium plating
 Position
 15: 15pin

GENERAL TOLERANCE		ANGLE TOLERANCE	
X.	±0.60	X.	±5°
.X	±0.38	.X	±3°
.XX	±0.25	.XX	±2°

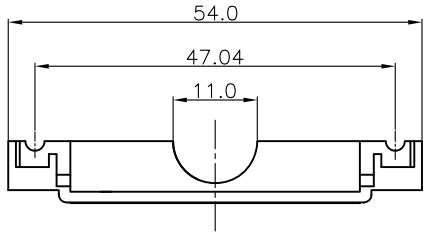
DRAWING TYPE	COSTOMER		
SCALE	1:1	SHEET	1 OF 1
DRAWING NO.	C-DS1046-15XXXX-E		

PROJECTION	TITLE	D-SUB 15pin Hood Chromium Plated	
UNITS	mm		
SHEET SIZE	A4	SERIES	DS1046 SERIES



晨翔电子有限公司

CONNFLY CONNFLY ELECTRONIC CO. LTD

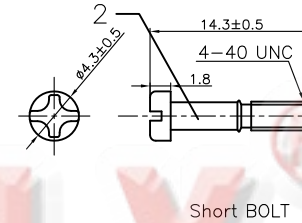
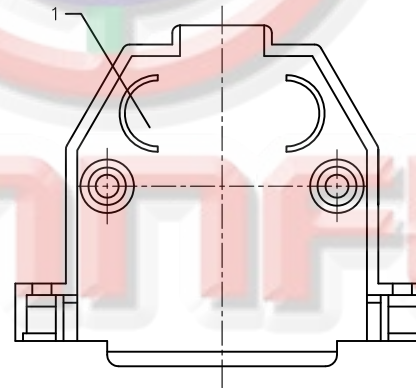
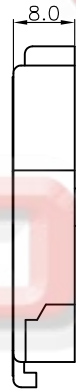
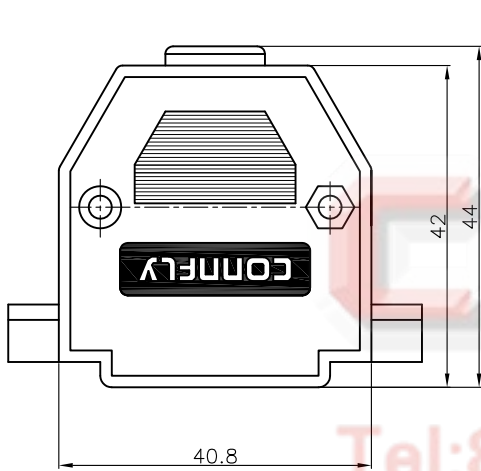
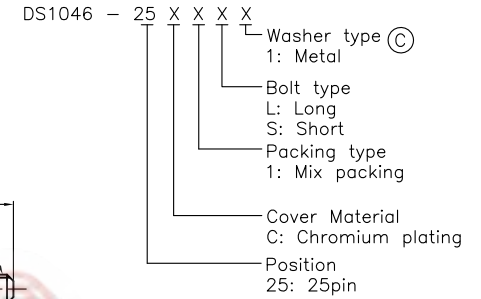


BOM LIST			
ITEM	PART NAME	Q'ty	NOTES
1	PLASTIC HOOD	2	ABS
2	2.1 LONG BOLT	2	#4-40
	2.2 SHORT BOLT	2	#4-40
3	NUT	2	M3
4	LONG SCREW	2	M3
5	SMALL WASHER	2	
6	SHORT SCREW	2	M3
7	METAL WASHER	2	M3

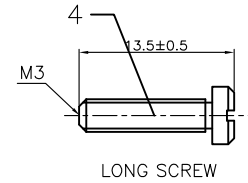
REV.	DESCRIPTION	DRAWN	CHECKED	APPROVED
A	NEW RELEASE	LJH 10/26/05'	~	LJC 10/26/05'
B	整理图面	YCH 09/13/07'	~	LJC 09/13/07'
D	DRAWING UPDATE	JLZ 05/19/16'	HZW 05/19/16'	LJC 05/19/16'
E	DRAWING UPDATE	JLZ 05/23/18'	~	

NOTES:

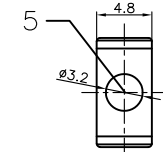
1. PART NUMBER CODE:



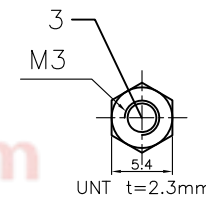
Short BOLT



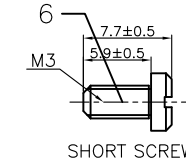
LONG SCREW



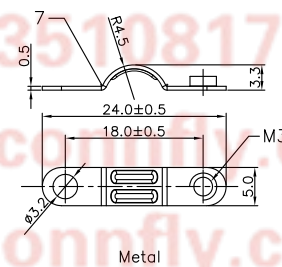
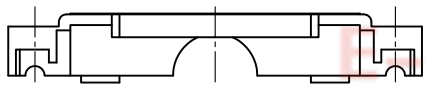
SMALL WASHER



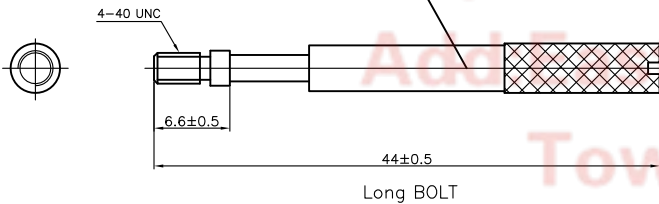
UNT t=2.3mm



SHORT SCREW



Metal



Long BOLT

GENERAL TOLERANCE		ANGLE TOLERANCE	
X.	±0.60	X.	±5°
.X	±0.38	.X	±3°
.XX	±0.25	.XX	±2°

DRAWING TYPE	CUSTOMER
SCALE	1:1
DRAWING NO.	C-DS1046-25XXXX-E

PROJECTION	TITLE
UNITS	mm
SHEET SIZE	A4
SERIES	DS1046 SERIES

晨翔电子有限公司
CONNFLY CONNFLY ELECTRONIC CO. LTD

Tel:86-574-63508787

Fax:86-574-63510817

email:sale@connfly.com

http://www.connfly.com

Add: Industry Zone, Kexing

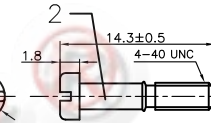
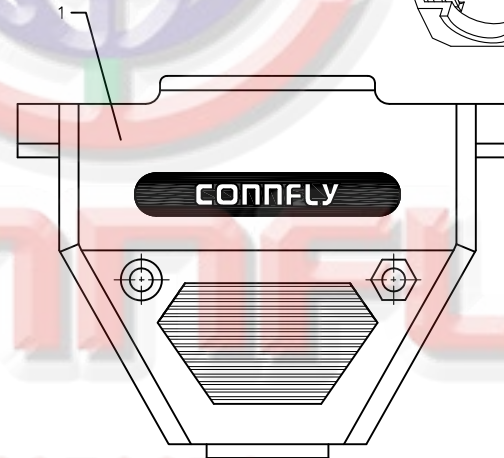
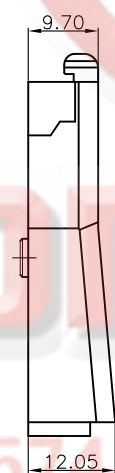
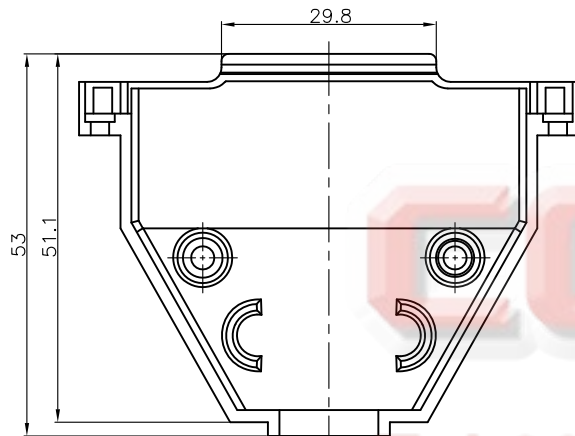
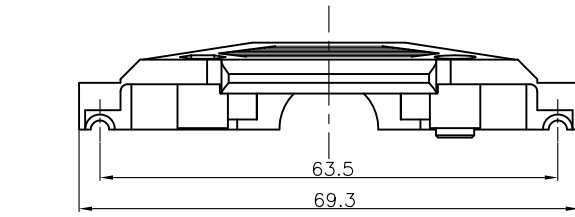
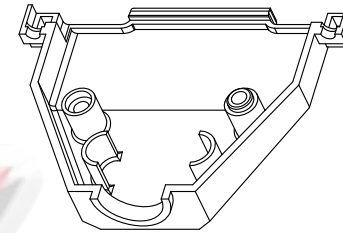
Town Cixiling, China

P.C:315333

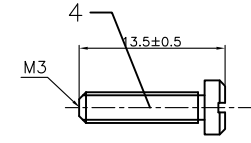
BOM LIST			
ITEM	PART NAME	Q'ty	NOTES
1	PLASTIC HOOD	2	ABS
2	LONG BOLT	2	#4-40
	SHORT BOLT	2	#4-40
3	NUT	2	M3
4	LONG SCREW	2	M3
5	SMALL WASHER	2	
6	SHORT SCREW	2	M3
7	METAL WASHER	2	M3

REV.	DESCRIPTION	DRAWN	CHECKED	APPROVED
A	NEW RELEASE	LJH 10/26/05'	~	LJC 10/26/05'
B	整理图面	YCH 09/13/07'	~	LJC 09/13/07'
D	DRAWING UPDATE	JLZ 05/19/16'	HZW 05/19/16'	LJC 05/19/16'
E	DRAWING UPDATE	JLZ 05/23/18'	~	

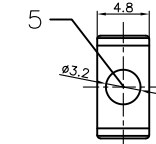
NOTES:
 1. PART NUMBER CODE:
 DS1046 - 37 X X X X
 Washer type (C)
 1: Metal
 Bolt type
 L: Long
 S: Short
 Packing type
 1: Mix packing
 Cover Material
 C: Chromium plating
 Position
 37: 37pin



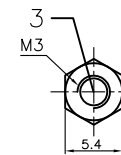
Short BOLT



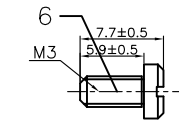
LONG SCREW



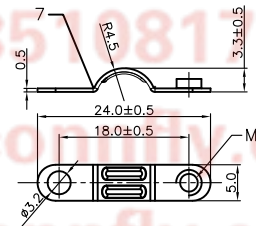
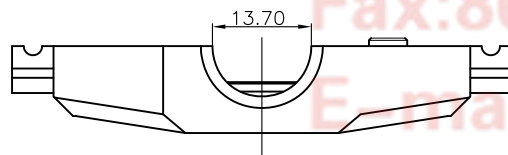
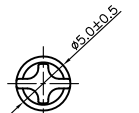
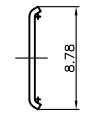
SMALL WASHER



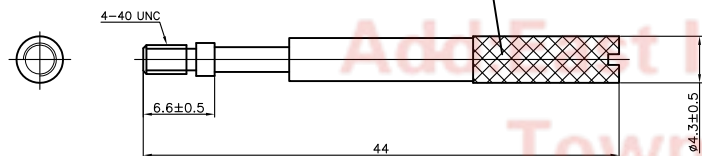
UNT t=2.3mm



SHORT SCREW



Metal



Long BOLT

GENERAL TOLERANCE		ANGLE TOLERANCE	
.X	±0.60	.X	±5°
.X	±0.38	.X	±3°
.XX	±0.25	.XX	±2°
DRAWING TYPE		COSTOMER	
SCALE		1:1	SHEET 1 OF 1
DRAWING NO.		C-DS1046-37XXXX-E	

PROJECTION	TITLE
UNITS	D-SUB 37pin Hood Chromium plated
SHEET SIZE	SERIES DS1046 SERIES

CONNFLY 晨翔电子有限公司
CONNFLY CONNFLY ELECTRONIC CO. LTD

Tel:86-574-63508787

Fax:86-574-6351981

E-mail:sale@connfly.com

http://www.connfly.com

Add: East Industry Zone

Town Cixilingo China

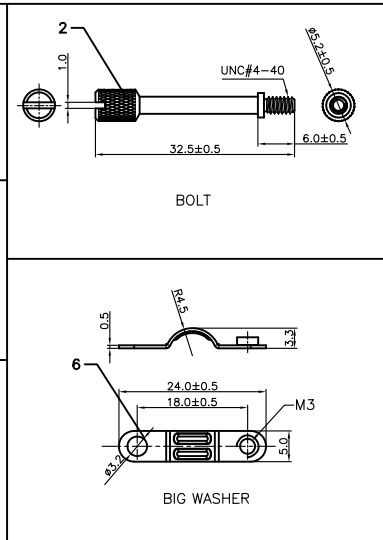
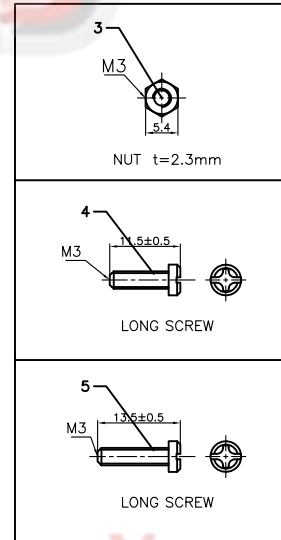
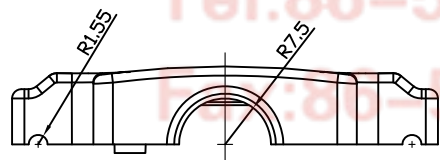
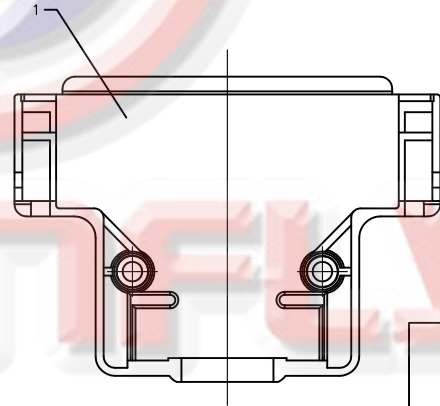
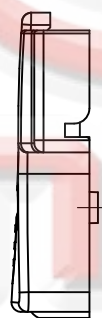
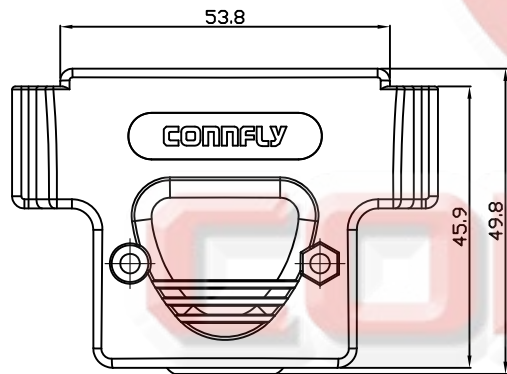
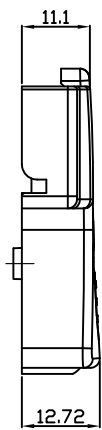
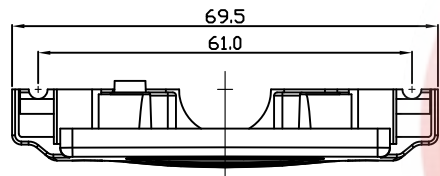
P.C:315333

REV.	DESCRIPTION	DRAWN	CHECKED	APPROVED
A	NEW RELEASE	JLZ 03/21/17'	HZW 03/21/17'	LJC 03/21/17'
B	DRAWING UPDATE	JLZ 05/23/18'	~	

NOTES:

1. PART NUMBER CODE:

DS1046 - 50 X X X X
 Washer type
 1: Metal
 Bolt type
 L: Long
 Packing type
 1: Mix packing
 Cover Material
 C: Chromium plating
 Position
 50: 50pin



BOM LIST			
ITEM	PART NAME	Q'ty	NOTES
1	PLASTIC HOOD	2	ABS
2	BOLT	2	#4-40
3	NUT	2	M3
4	M3*10 SCREW	2	M3
5	M3*12 SCREW	2	M3
6	BIG WASHER	2	M3

GENERAL TOLERANCE		ANGLE TOLERANCE	
X.	±0.60	X.	±5°
.X	±0.38	.X	±3°
.XX	±0.25	.XX	±2°

DRAWING TYPE	CUSTOMER		
SCALE	1:1	SHEET	1 OF 1
DRAWING NO.	C-DS1046-50XXX-B		

PROJECTION	TITLE	D-SUB 50pin Hood Chromium plated	
UNITS	mm	SHEET SIZE	A4
SHEET SIZE	A4	SERIES	DS1046 SERIES

CONNFLY 晨翔电子有限公司
CONNFLY ELECTRONIC CO., LTD

Tel:86-574-63508787
 Fax:86-574-63510817
 E-mail:sale@connfly.com
 http://www.connfly.com
 Add:East Industry Zone
 Town Cunchangbo China
 P.C:315333