

FYL- 5013XXX1C

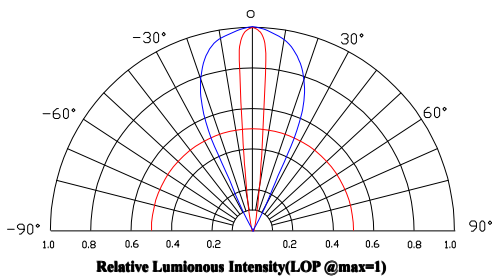
Features:

- General purpose leads
- RoHs compliant.

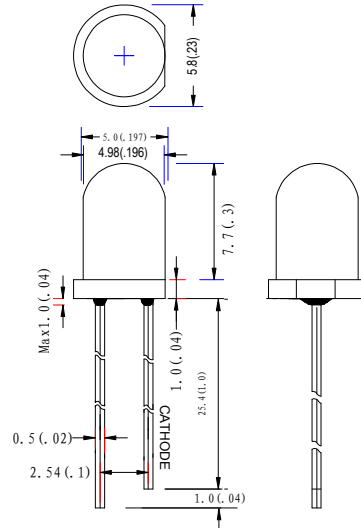
Descriptions:

- Dice material: GaP/GaAsP/InGaN/AlGaInP.
- Device Outline: Φ 5mm Round edge Type.

Radiation pattern.



Package configuration



- ◆ All dimensions are millimeters (inches)
- ◆ Tolerance is $\pm 0.25\text{mm}(.010\text{'})$ unless otherwise noted.

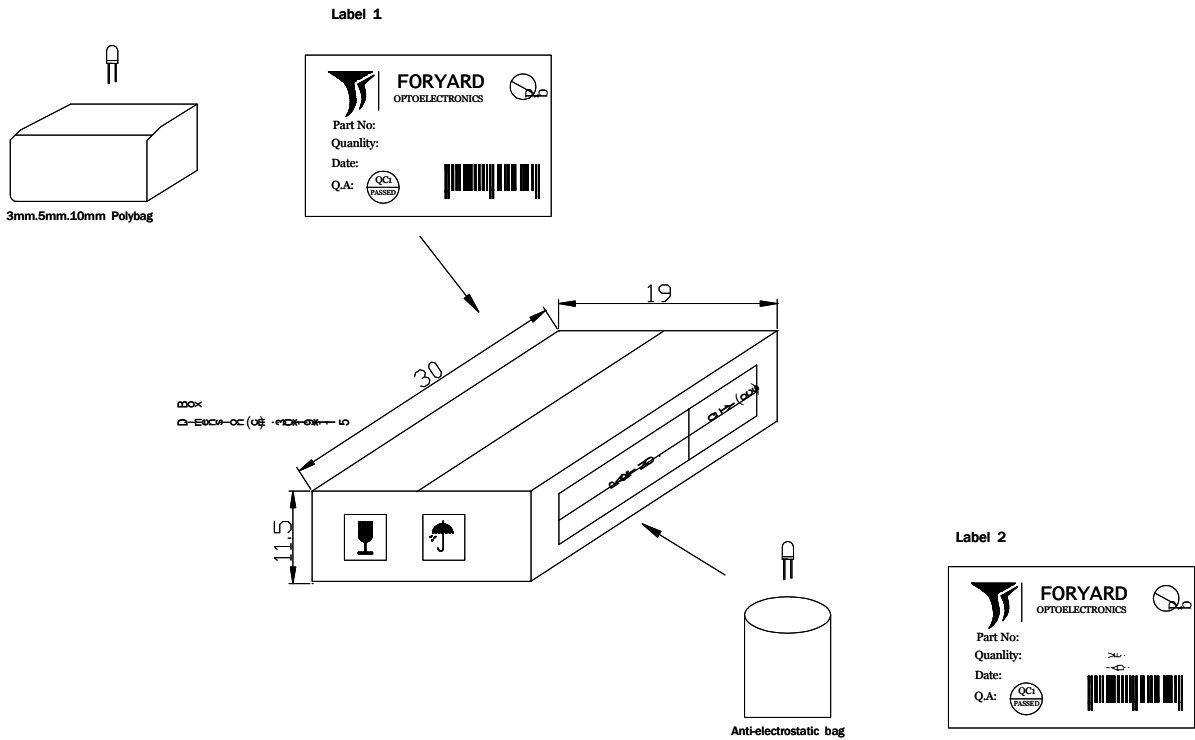
Absolute maximum ratings($T_a=25\text{ }^\circ\text{C}$)

Parameter	MAX.	Unit
Continuous Forward Current	20	mA
Derating Linear From $50\text{ }^\circ\text{C}$	0.4	mA/ $^\circ\text{C}$
Reverse Voltage	5	V
Operating Temperature Range	$-30\text{ }^\circ\text{C}$ to $+80\text{ }^\circ\text{C}$	
Storage Temperature Range	$-40\text{ }^\circ\text{C}$ to $+100\text{ }^\circ\text{C}$	
Lead Soldering Temperature[4mm(.157") From Body]	$260\text{ }^\circ\text{C}$ for 5 Seconds	

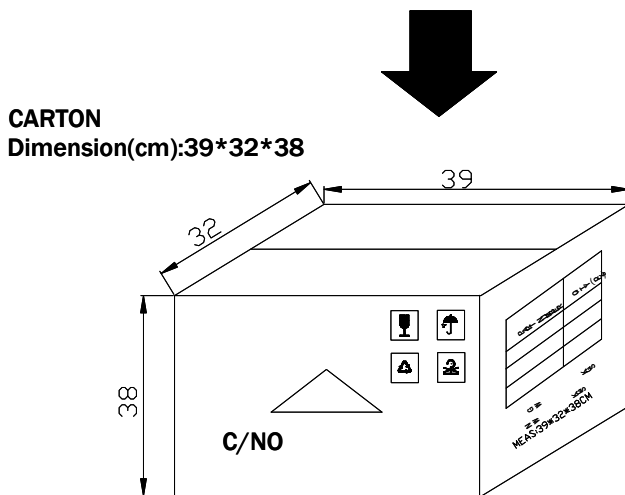
Optical Characteristics at TA = 25° C,IF=20mA.

Part Number	Lens Color	Wavelength (nm)	Intensity (mcd)	Angle 2 θ 1/2
FYL-5013HD1C	Red diffused	700	30	50
FYL-5013SRD1C	Red diffused	660	55	50
FYL-5013ED1C	Red diffused	625	50	50
FYL-5013AD1C	Amber diffused	610	48	50
FYL-5013YD1C	yellow diffused	588	50	50
FYL-5013GD1C	Green diffused	568	35	50
FYL-5013LRC1C	Water clear	660	800	15
FYL-5013HRC1C	Water clear	640	2000	15
FYL-5013SURC1C	Water clear	630	4000	15
FYL-5013NURC1C	Water clear	630	5000	15
FYL-5013LURC1C	Water clear	630	7000	15
FYL-5013SUEC1C	Water clear	625	4000	15
FYL-5013SUAC1C	Water clear	610	2300	15
FYL-5013SUYC1C	Water clear	588	2500	15
FYL-5013SUGC1C	Water clear	568	900	15
FYL-5013PGC1C	Water clear	520	15000	15
FYL-5013BGC1C	Water clear	505	15000	15
FYL-5013UBC1C	Water clear	470	4000	15
FYL-5013VC1C	Water clear	410	90(mW)	15
FYL-5014UWC1C/R	Water clear	X:0.29 Y:0.30 CCT:9500k	12000	15
FYL-5014UWC1C/S	Water clear		15000	15
FYL-5014UWC1C/M	Water clear		18000	15
FYL-5014UWC1C/N	Water clear		20000	15
FYL-5014UWC1C-UWW	Water clear	X:0.40 Y:0.39 CCT:3500k	15000	15
FYL-5014UWC1C-ULW	Water clear	X:0.25 Y:0.26 CCT:15000k	15000	15

LAMP PACKING.



DEVICE	QTY/polybag(pcs)	Polybag/box A	Fig
5mm(T-1 3/4)	1000	8 bags	Label 1
3mm(T-1)	1000	10 bags	Label 1
10mm(T-1)	250	8 bags	Label 1
Blue/Green/White	500pcs	8 bags	Label 2



6 Boxes/Carton
 5mm:48,000pcs
 3mm:60,000pcs
 10mm:12,000pcs
 Blue/Pure Green/bluish Green
 /White:24,000pcs