



FIXED DUAL 600mA LOW DROPOUT POSITIVE REGULATOR

FEATURES

- 1.5V Maximum Dropout at Full Load Current
- Built-in Thermal Shutdown for Each Channel
- Output Current Limiting for Each Channel
- Fast Transient Response
- Good Noise Rejection
- Dual Output
VOUT1 : 3.3V / 600mA
VOUT2 : 1.8V / 600mA
(depend on Layout Thermal Pad Size & VIN Voltage)
- TO-252-5L Package
- Need only 1uF MLCC for Stability

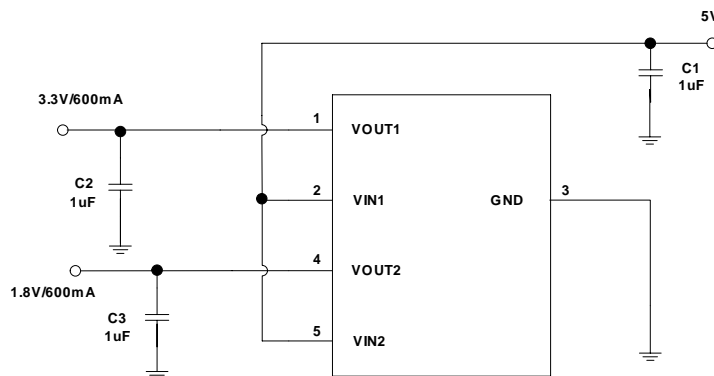
DESCRIPTION

APE8840 is dual low dropout positive regulator with minimum of 600mA output current capability. The product is specifically designed to provide well-regulated supply for low voltage IC applications such as high-speed bus termination and low current 3.3V/1.8V, logic supply. APE8840 series are guaranteed to have <1.5V dropout at full load current making it ideal to provide well regulated outputs dual channels with up to 12V input supply, but depend on Power Dissipation Limitation for using. To prevent oscillation, it is recommended to use minimum 1uF dielectric capacitors for Input/Output Capacitors, In general, the input capacitor in the range of 1uF to 10uF sufficient.

APPLICATION

- PC peripheral
- Communication

TYPICAL APPLICATION



PACKAGE ORDERING INFORMATION

APE8840X
 Package type
 H : TO-252-5L

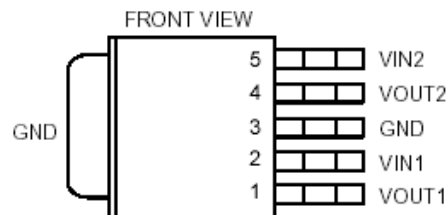


ABSOLUTE MAXIMUM RATINGS

DC Supply Voltage (V_{IN})	-0.3 to 12 V
Power Dissipation (P_D)	Internally Limited
Storage Temperature Range (T_{ST})	-65°C To 150°C
Operating Junction Temperature Range (T_{OP})	0°C To + 125°C
Thermal Resistance from Junction to case (R_{thjc}) ^{Note}	10°C/W
Thermal Resistance from Junction to ambient (R_{thja})	70°C/W

Note: Thermal resistance is measured by mounted on a high effective thermal conductivity test board in free air.

PACKAGE INFORMATION



ELECTRICAL SPECIFICATIONS

(Under Operating Conditon)

Parameter	SYM	TEST CONDITION	MIN	TYP	MAX	UNITS
Output Voltage	V_{OUT1}	$I_{OUT}=10mA, T_J=25^{\circ}C, 4.8V \leq V_{IN} \leq 12V$	3.235	3.3	3.365	V
	V_{OUT2}	$I_{OUT}=10mA, T_J=25^{\circ}C, 4V \leq V_{IN} \leq 12V$	1.764	1.8	1.836	V
Line Regulation		$I_O=10mA, V_{OUT}+1.5V < V_{IN} < V_{OUT}+6V, T_J=25^{\circ}C$	-	-	0.3	%
Load Regulation		$T_J=25^{\circ}C, V_{IN}=V_{OUT}+1.5V, 10mA \leq I_{OUT} \leq 0.6A$ (Note1,2)	-	-	1	%
Dropout Voltage($V_{IN}-V_{OUT}$)		$I_{OUT}=0.6A, \Delta V_{OUT}=1\%V_{OUT}$	-	1.2	1.5	V
Current Limit		$V_{IN}-V_{OUT}=5V$	0.8	1.1	-	A
Minimum Load Current		$0^{\circ}C \leq T_J \leq 125^{\circ}C$ (Note3)	-	5	10	mA
Thermal Regulation		$T_A=25^{\circ}C, 30ms$ pulse	-	0.008	0.04	%/W
Ripple Rejection		$F=120Hz, C_{OUT}=25\mu F, \text{Tantalum}, I_{OUT}=0.6A$	-	60	70	dB
Temperature Stability		$I_O=10mA$	-	0.5	-	%
Thermal Shutdown Temperature			-	150	-	°C
Thermal Shutdown Temperature Recovery			-	130	-	°C

Note1: See thermal regulation specifications for changes in output voltage due to heating effects.

Line and load regulation are measured at a constant junction temperature by low duty cycle pulse testing.

Load regulation is measured at the output lead = 1/18" from the package.

Note2: Line and load regulation are guaranteed up to the maximum power dissipation of 2W. Power dissipation is determined by the input/output differentially and the output current. Guaranteed maximum power dissipation will not be available over the full input/output range.

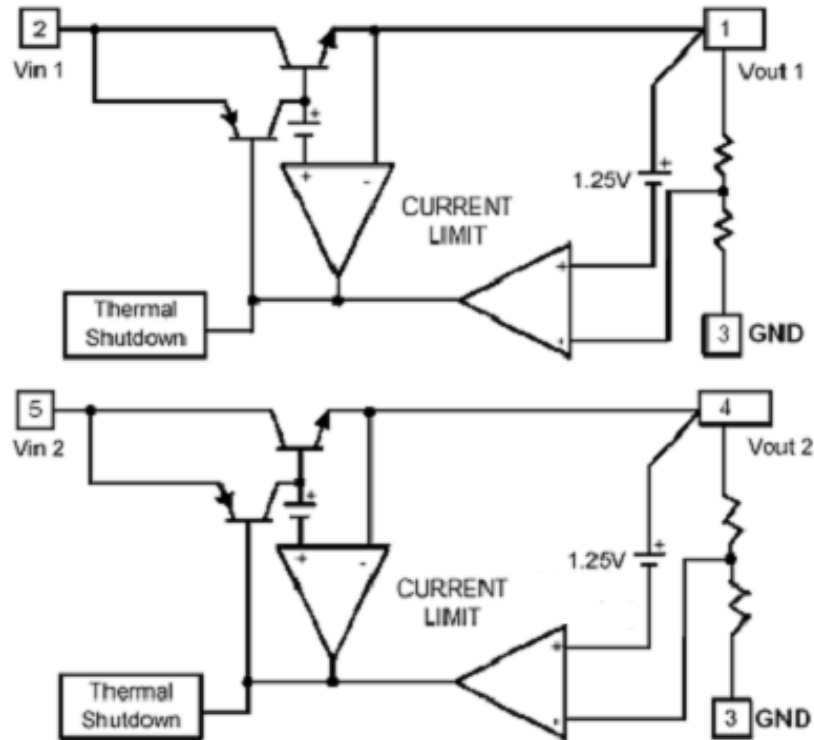
Note3: Quiescent current is defined as the minimum output current that requires maintaining regulation. At 12V input/output differential the device is guaranteed to regulate if the output current is greater than 10mA.



PIN DESCRIPTIONS

PIN SYMBOL	PIN DESCRIPTION
GND	Ground for fix output version
VOUT1 / OUT2	The output of the regulator. A minimum of 1uF capacitor (10mΩ ≤ ESR ≤ 1Ω) must be connected from this pin to ground to insure stability.
VIN1 / VIN2	The input pin of regulator. Typically a minimum of 1uF capacitor is connected from this pin to ground to insure that the input voltage does not sag below the minimum dropout voltage during the load transient response. The pin must always be 1.5V higher than Vout in order for the device to regulate properly.

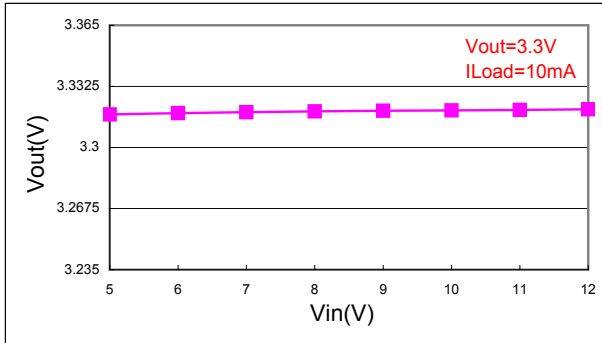
BLOCK DIAGRAM



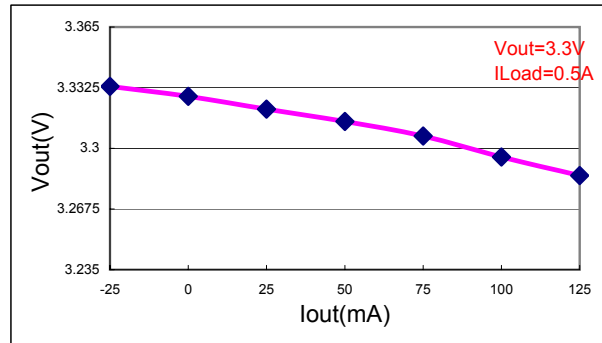


TYPICAL PERFORMANCE CHARACTERISTICS (VOUT1)

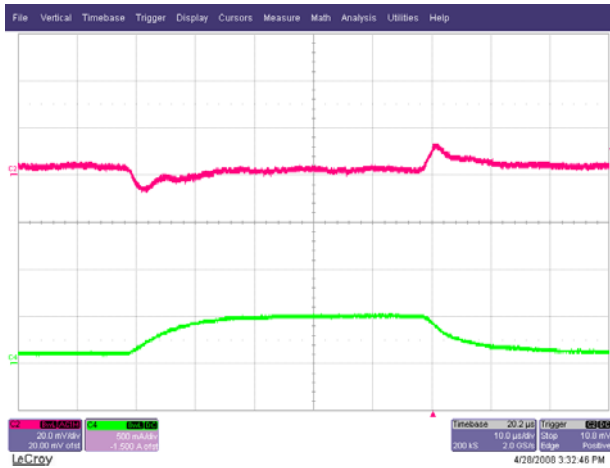
Line Regulation



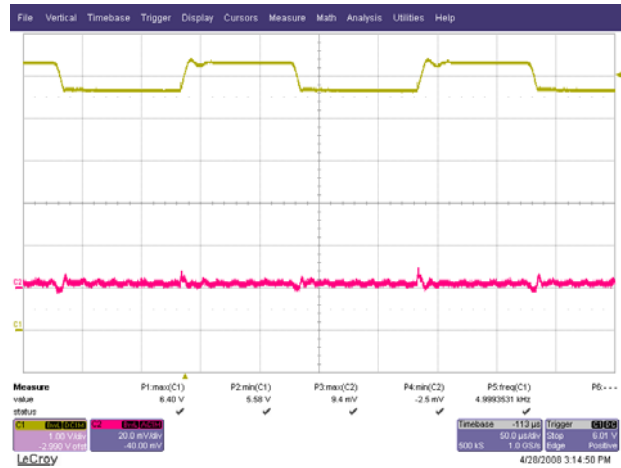
Load Regulation



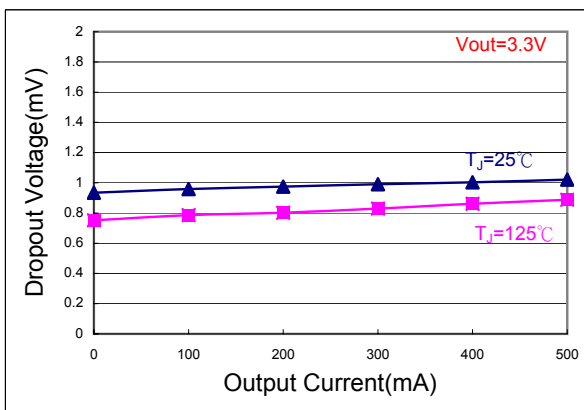
Load Transient



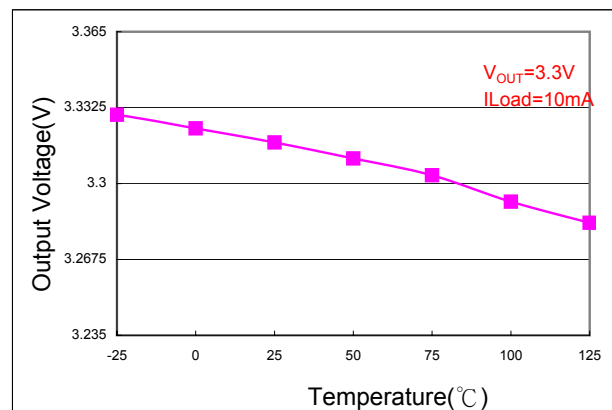
Line Transient



V_o VS I_o



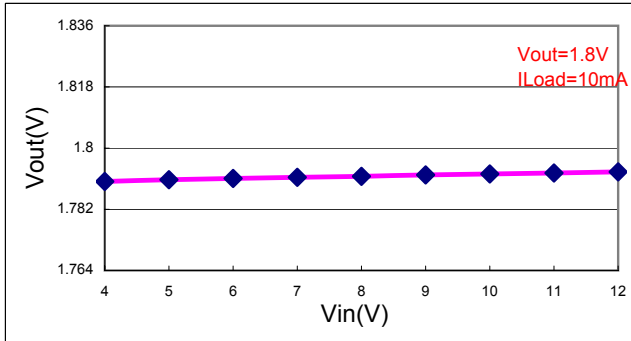
V_o VS TEMP.



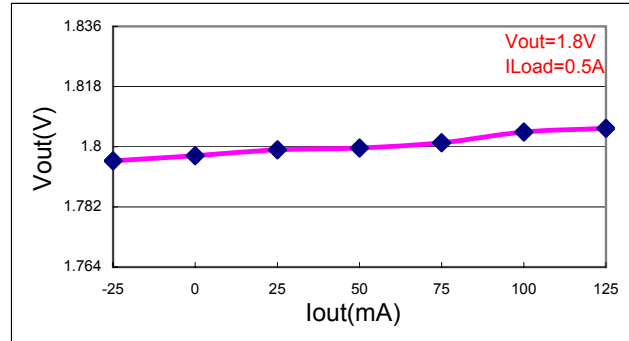


TYPICAL PERFORMANCE CHARACTERISTICS (VOUT2)

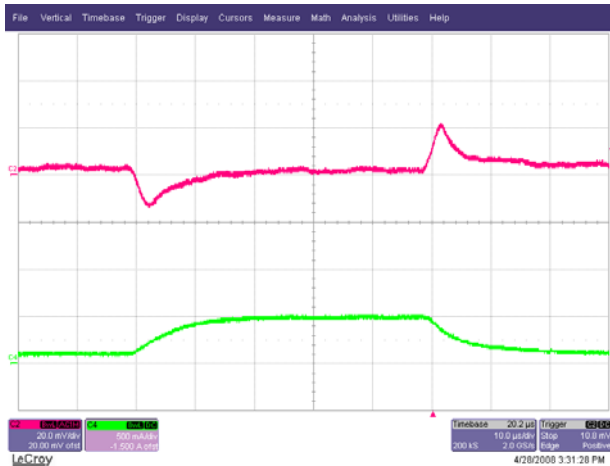
Line Regulation



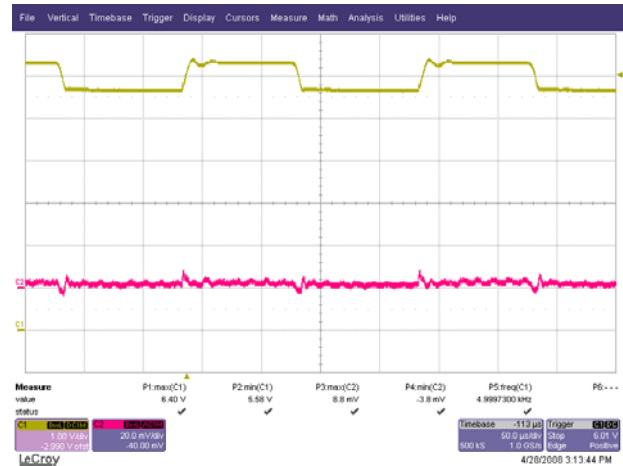
Load Regulation



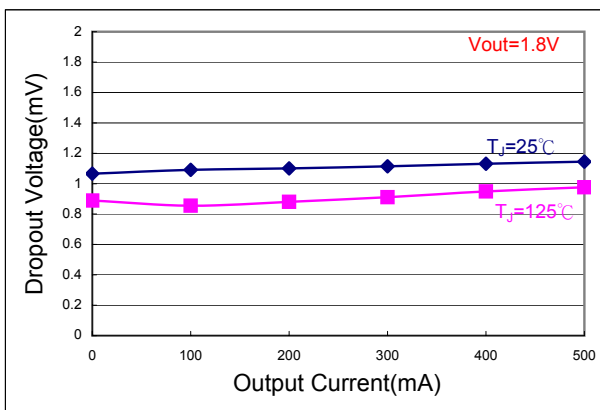
Load Transient



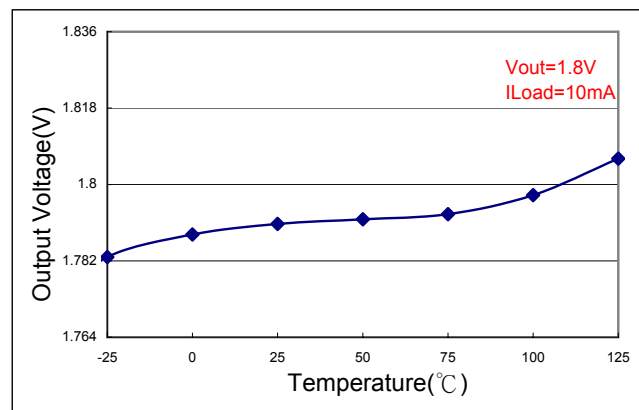
Line Transient



V_O VS I_O

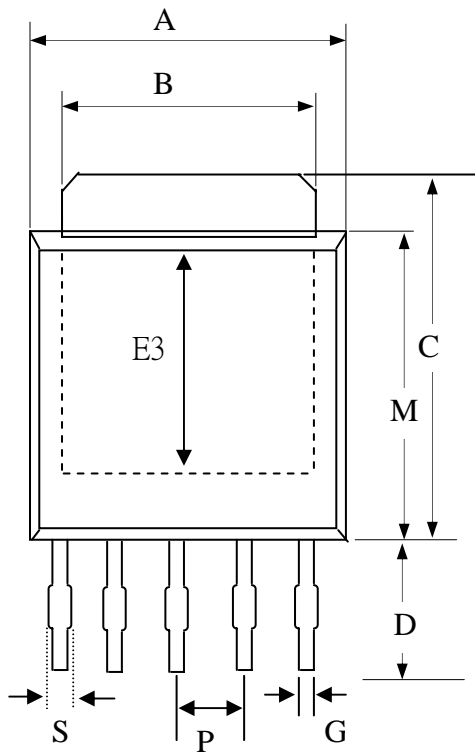


V_O VS TEMP.

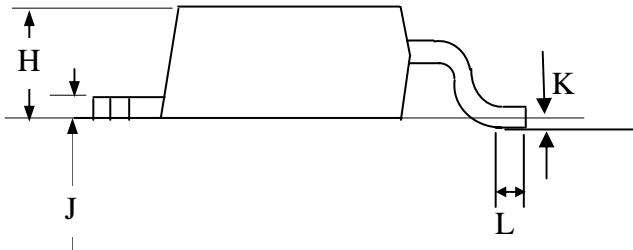




Package Outline : TO-252-5L

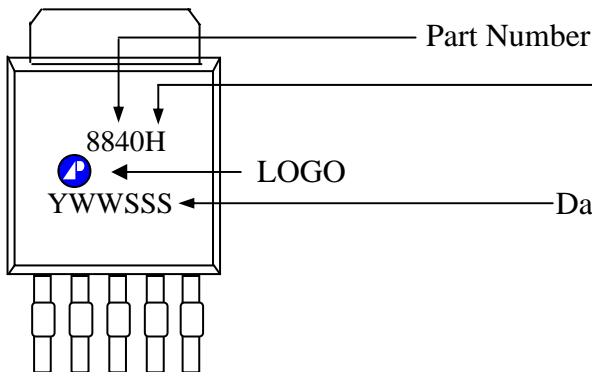


SYMBOLS	Millimeters		
	MIN	NOM	MAX
A	6.40	6.6	6.80
B	5.2	5.35	5.50
C	6.80	7.00	7.20
D	2.20	2.50	2.80
P	1.27 REF.		
S	0.50	0.65	0.80
E3	3.50	4.00	4.50
G	0.40	0.50	0.60
H	2.20	2.30	2.40
J	0.45	0.50	0.55
K	0.00	0.075	0.15
L	0.90	1.20	1.50
M	5.40	5.60	5.80



- 1.All Dimensions Are in Millimeters.
- 2.Dimension Does Not Include Mold Protrusions.

Part Marking Information & Packing : TO-252-5L



Y : Last Digit Of The Year
 WW : Week
 SSS : Sequence