

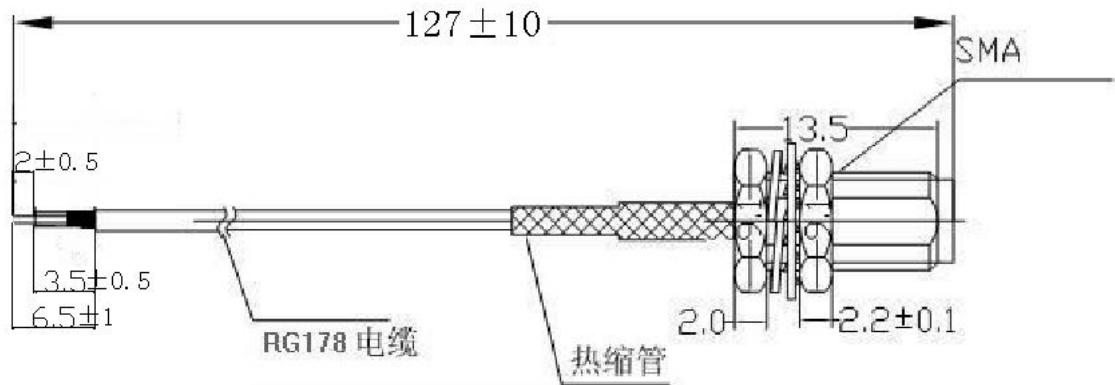
深圳市雅诺讯科技有限公司

Shenzhen Yetnorson Technology Co., Ltd.

Technical data of product		RF OF cable	SMA	
		Type of cable	RG178	Standard
项 目 Item		Structure of product		
<b>Connector Technical Characteristics</b>	Frequency Range	DC~12.4GHz		
	V.S.W.R	≤1.10+0.02f		
	Impedance (Ω)	50Ω		
	Insertion Loss	0.1DB		
	Plating	gold plated		
	Insulator	PTFE		
<b>RG Flexible Cables Technical Characteristics</b>	Cable Type	RG178		
	Center Conductor	7×0.1(镀银/Sliver Plated)		
	Insulation Dimensions	Ø 0.87±0.1mm (聚四氟乙烯/PTFE)		
	Screen Dimensions	Ø1.33(镀银/Sliver Plated)		
	Jacket Dimensions	Ø1.8		
	Nominal Impedance	50Ω		
	Length	Customize		
<b>Environment Specifications</b>	Operation temperature	-55~+200℃		
	Operation Relative humidity	55%~75%		
Testing voltage of spark		2000V		
Testing voltage		2000V		
Attenuation(Typical)(≧dB/m)		1 GHz	0.96	
		2 GHz	1.39	
		3 GHz	1.71	
		4 GHz	1.71	

## Structure diagram of product

单位: mm  
比例: 1:1



Remarks

RoHS  
According as RoHS

Approval

Customer's name

Examine

Number of document

Establishment

Date

2016-12-23