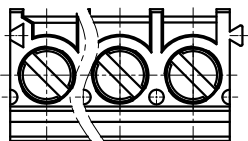


REVISION RECORD				
REV	ECN	DESCRIPTION	DRFT	DATE



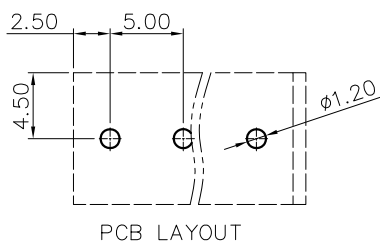
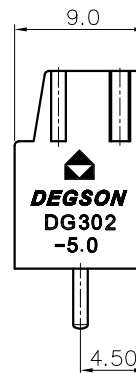
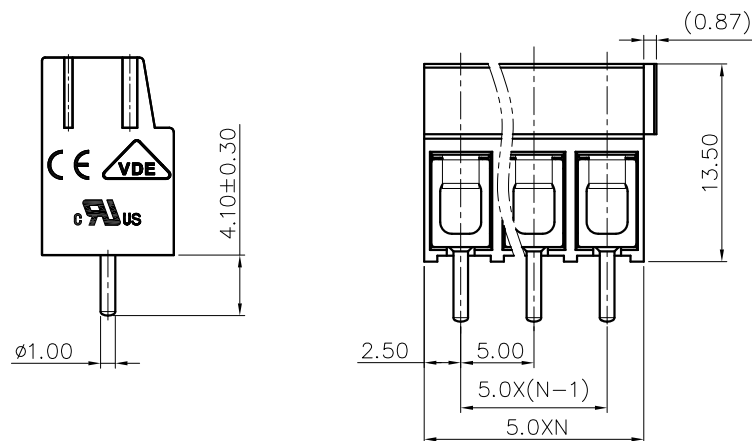
NOTES1:
 UL Standard
 1.Rated voltage/current : 300V / 20A
 2.Torque Value : M3 , 4.43Lb.in
 3.Wire range : 20~12AWG

IEC Standard
 1.Rated voltage/current : 250V / 25A
 2.Torque Value : M3 , 0.5N.m
 3.Wire range : 0.5~4mm²

NOTES2:
 1.Dimension shall be interpreted per ASME Y14.5-2009
 2.Pitch : 5.0mm, Poles : N=02~12P
 3.Stripping length : 5~6mm
 4.Withstanding voltage : AC2000V/1Min
 5.Operating temperature: -40°C~+105°C
 6.Undimensioned tolerances:

Pitch range in mm		Nominal dimension range in mm						-	∩	∇
Over 6	Over 10	Over 30	Over 60	Over 100	Over 150		0.1/10			
TO 6	TO 24	TO 30	TO 60	TO 100	TO 150		<			
±0.15	±0.20	±0.30	±0.30	±0.50	±0.70	±1.00	±1.30	±2'		

7.RoHS Compliance



DG302 - 5.0 - XXP - 1Y - 00A (H)
 (Series No.) (Pitch) (Poles) (Single Pitch) (Color):1.(Grey)
 2.(Blue)
 3.(Black)
 4.(Green)
 5.(Orange)
 6.(Red)
 7.(Transparent)
 8.(Yellow)
 9.(White)

DETACHED LISTS	PART NO.:	宁波高松电子有限公司 NINGBO DEGSON ELECTRICAL CO., LTD			
	APPD:	NAME: DG302-5.0-XXP-1Y-00A(H)			
	CHKD:	TITLE: CUSTOMER DRAWING		REV	DO
	DRFT:	DRAWING NO.:		SHEET	1/1
THIRD ANGLE PROJECTION		MM (INCH)	DO NOT SCALE DRAWING	SCALE	1:1