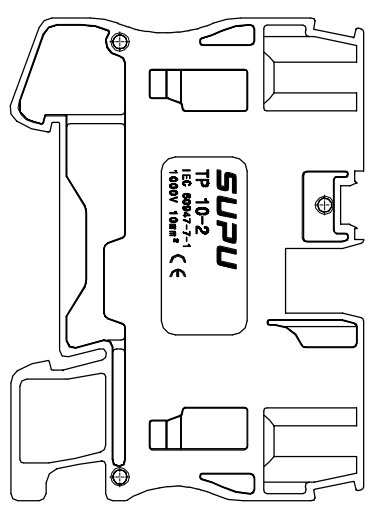
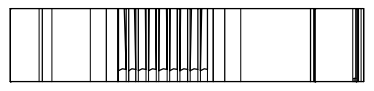
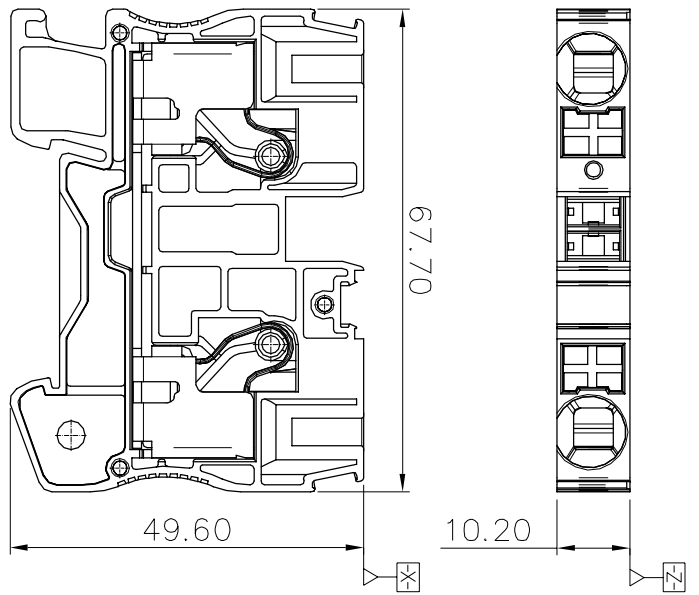


REVISION RECORD			
REV	ECN	DESCRIPTION	DRFT DATE

Connection method:
 1. For Solid wire, peel wire in right length, push down the wire.
 2. For flexible wire, peeling wire in right length, pushdown the key & fix the wire, or wire furred and fix then.



Transmittal, reproduction, dissemination and/or editing of this document as well as utilization of its contents and communication thereof to others without express authorization are prohibited.
 未经允许禁止传输、复制、编辑该文档，以及利用其内容进行交流



NOTES:
 UL/CUL Standard
 1. Conductor cross section : 20~6AWG
 2. Rated Voltage/Current :

Use group	B	C	D
Rated voltage(V)	600	600	600
Rated current(A)	60	60	60

IEC Standard
 1. Conductor cross section :

Wire range(Solid/Stranded)	0.5-10mm ²	0.5-16mm ²	0.5-10mm ²
Solid	0.5-16mm ²	0.5-10mm ²	
Stranded	0.5-10mm ²		
Stranded with ferrules	0.5-10mm ²		
Stranded with plastic sleeve	0.5-10mm ²		
Stranded with ferrules with plastic sleeve	0.5-10mm ²		

2. Rated Voltage/Current :

Surge voltage category	III
Pollution degree	3
Rated surge voltage(kV)	8
Rated voltage(V)	1000
Rated current(A)	57

Material:

Insulator	PA66	UL94 V-0
Conductor	Copper alloy	Sn plated
Spring	Stainless steel	
Button	POW	

General information:
 1. Dimension shall be interpreted per ASME Y14.5-2009
 2. Stripping length : 18mm
 3. Operating temperature: -40°C~+105°C
 4. RoHS Compliance
 5. Undimensioned Tolerances:

Pitch Range in mm	Nominal Dimension	Tolerance
Over 6	Over 30	Over 100
To 10	To 60	To 150
Over 10	Over 30	Over 100
To 24	To 60	To 150
Over 24	Over 60	Over 150
To 30	To 100	To 150
Over 30	Over 100	Over 150
To 40	To 150	To 150
Over 40	Over 150	Over 150
To 50	To 200	To 200
Over 50	Over 200	Over 200

HOW TO ORDER:
 TP10-2-XX

Sereies No. Color:
 GY: Grey
 BU: Blue
 OG: Orange

订货号	TP10-2-XX	名称	TP系列直插式弹簧端子	未注公差	表面处理
项目	签字	图号	10mm ² 一进一出接线端子	公差表	VDI21
设计	陈杰松	材料	/	版本	重量
审核	陈武	Material	见NOTES	Revision	比例
工艺	-	物料号		M	0
Process	-	Item No.			
标准化	-				
Unit	-				
批准	梁文龙				
Approve	11/20/19"				

NINGBO SUPU ELECTRONICS CO., LTD.
 宁波速普电子有限公司