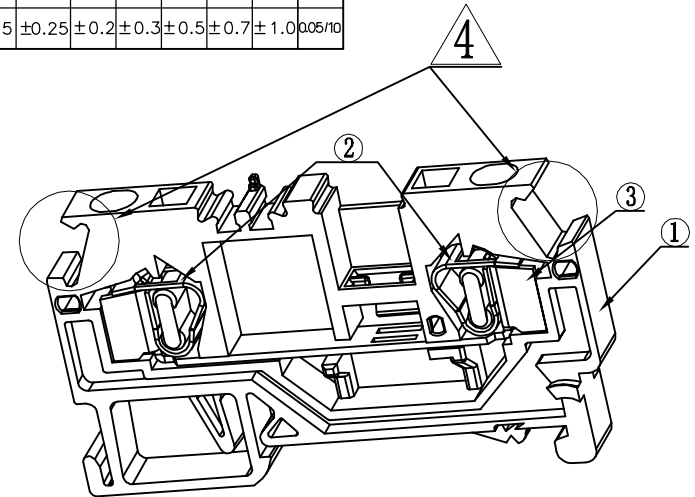


Notes:

- Rated current:UL:600V/20A  
IEC:800V/32A
- Operation temperatures:-40° C~+105° C
- Withstanding Voltage: AC3000V/1min
- Insulation Resistance:5000MΩ /DC1000V
- Wire Range: 28~12AWG 4mm<sup>2</sup>
- Undimensioned Tolerances:

Pitch range in mm			Nominal dimension range in mm				
to	over	to	to	over	over	over	
6	6	10	30	30	60	100	150
6	10	24	30	60	100	150	
±0.10	±0.15	±0.25	±0.2	±0.3	±0.5	±0.7	±1.0 a05/10



REVISION RECORD				
REV	ECO	DESCRIPTION	DRFT	DATE
△		图面更新	HW	05/05/06*
△		增加UL刻字	CSX	03/29/07*
△		品名、料号增加环保标示“(H)”	LJH	12/10/07*
△		更新图面	LJH	01/25/08*
△		增加限位筋结构	CW	05/18/09

3	WS 4 Carrier	X000000610 (H)	1	Red copper	SnCe plated
2	WS 4 Clamp	X000000600 (H)	2	Stainless steel	
1	WS 4 Housing	6001A0Y01A (H)	1	PA66	UL94V-0
ITEM	NAME OF PART	NO. OF PART	Q'TY	MATERIAL	NOTES
DETAILED LISTS	UNIT (INCH)	DATE 01/11/05**	宁波高正电子有限公司 DEGSON ELECTRONICS CO., LTD NAME WS 4-01P-1Y-00A (H)		
	TOLERANCES EXCEPT AS NOTED	DATE			
	MATERIAL :	DATE			
	ANGLES ± 1°	G. E. :			
	FINISH :	DRAWING NO. WS 4-E01	SIZE A3	REV T5	05/14/09
	SCALE : 1:1	/PART NO.	DO NOT SCALE DRAWING	SHEET 1	OF 1