

## Data sheet

Commercial Art.No.: 96.233.4030.1

Cable assembly RST20i3K1BS 25 40SW

RST20i3 extension cable female - male, 3 pole, assembled with shrinkage tube, application 250V with PE, 20A, cable type H07RN-F, length 4.0m, cross section 2.5mm<sup>2</sup>, coding color black



Commercial Art.No.	96.233.4030.1
EAN	4015573760660
Order Unit	1

Certificates / Approvals



## Technical data

### General

Rated current	20 A
Rated voltage	250 V
Rated impulse voltage	4 kV
Pollution degree	3
Lockable	self-locking (unlocking by tool)
Color of coding/ contact carrier	black
Marking of poles	L, N, PE
Color of housing inclusive strain relief	black

### Model

type of construction	Shrinkage tube
Connection type	Crimp
Nominal cross section conductor	2.5 mm <sup>2</sup>
Degree of protection (IP)	IP66/68 (3m;2h)
Wire strip length	9 mm
sheath strip length	35 mm
Cable type	H07RN-F
Cable color	black
Cable diameter min.	11.3 mm
Cable diameter max.	11.9 mm
Version of cable	female - male
Type of cord set	connecting cable
Version cable end 1	female

Version cable end 2	male
Shielded	No

**Material**

Surface finish	Silver-plated
halogen free	No
Continuous temperature of cable	60 °C
Insulation components continuous temperature	100 °C
Fire load	0 kWh

**Dimensions**

Total length	4 m
--------------	-----

**Classification**

ECLASS 11	
ECLASS 8.1	27440604
ETIM 7.0	EC002587
ETIM 6.0	EC002587
ETIM 5.0	EC002587
ETIM 4.0	EC002587

**Note**

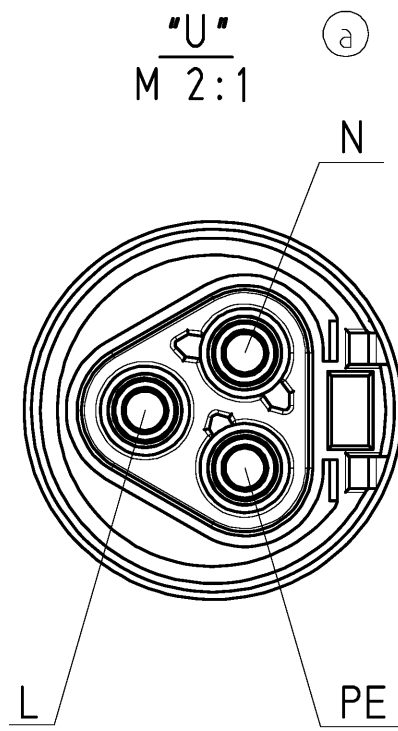
Note	The total length may vary up to + / - 3 %.
------	--

**Product compliance**

ROHS conformity status	Compliant/Exempted
ROHS exceptions	III-6(c)
REACH-SVHC conformity status	Duty-To-Declare
REACH-SVHC substances	Lead
REACH-SVHC CAS numbers	7439-92-1

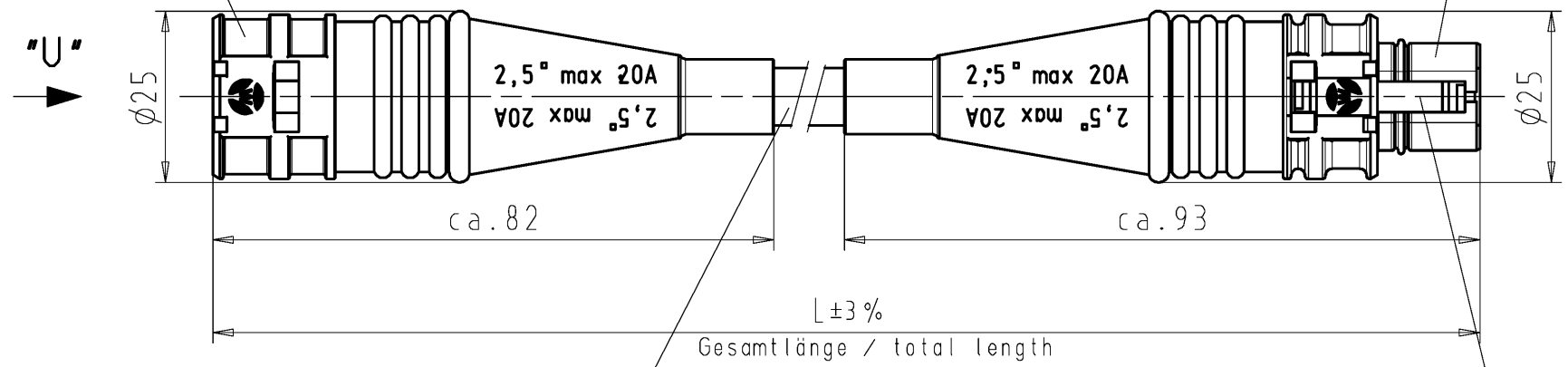
These dimensions will be especially checked at delivery  
 Only inspection dimensions  
 With /E marked dimensions are only valid for internal use

Diese Maße werden bei Abnahme besonders geprüft  
 Ausschließlich Prüfmaße  
 Mit /E gekennzeichnete Maße sind nur für interne Zwecke gültig



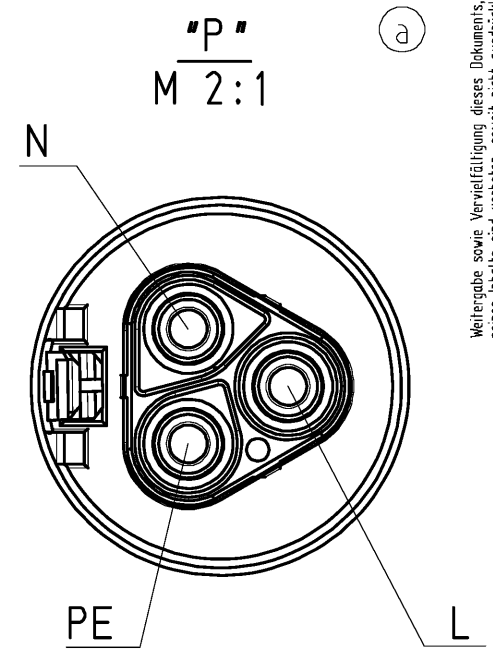
**Buchenteil, Farbe .1/.0**  
*female connector, colour .1/.0*

**Steckerteil, Farbe .1/.0**  
*male connector, colour .1/.0*



**Kabel H07RN-F 3G2,5 SW**  
*cable H07RN-F 3G2,5 black*

**Verriegelung, Farbe .1/.3**  
*locking, colour .1/.3*



Farbe/colour	
schwarz/black	.1
lichtgrau/light grey	.0
betongrau/concrete grey	.3

Weitere Daten siehe Katalog  
*further data see catalog*

Teile - Nr. <i>part - no.</i>	L	Beispiel (Farbe: schwarz, lichtgrau) <i>exampel (colour: black, light grey)</i>	Typ <i>type</i>
96.233.XX30.1	XX in dm-Schritten	96.233.1030.1 = 10dm/L= 1000mm	RST2013K1BS 25 10SW
96.233.XX30.0	XX in dm-steps	96.233.1030.0	RST2013K1BS 25 10GL
U6.233.XX30.1	XX in m-Schritten	U6.233.1230.1 = 12 m/L=12000mm	RST2013K1BS 25 X12SW
U6.233.XX30.0	XX in m-steps	U6.233.1230.0	RST2013K1BS 25 X12GL

Tolerierung Size ISO 14405(®)/Tolerance system Size ISO 14405(®).  
 (This ISO-standard describes the envelope principle. According to the envelope principle the deviations of form and parallelism are limited by the size tolerances).

ja/yes  Stoffverbots- und Deklarationsliste nach WN 5020.010 ist einzuhalten.  
 Conformity with Wieland document WN 5020.010 e (list of prohibited / declarable hazardous substances) to be declared!

Freitoleranz nach General tolerance	CAD - Zeichnung, keine manuellen Änderungen CAD - drawing, no manual modifications allowed	1.Verwendung: First Use:	Blatt: 1 von 1 Sheet: of
/	Werkstoff/Material	2007 Tag/Date Name	Zeichnung Nr./Drawing No. Index <b>T 96.233.0430.0 01K a</b>
/	Maßstab/Scale	gezeichnet drawn 08.08. Schmitt J.	
/		geprüft checked - -	
/		Normgepr. Stand. check - -	
/	Vol. mm³ Of l./Surf. mm²	Ersatz für/Replacement for: -	
a	21.10.2014/ Datum / Blatt Date / Sheet	Type Benennung/Title <b>KONFEKT_LEITUNG</b>	
Index	www.wieland-electric.com		Buchse-Stecker, Crimpausführung K1 250V, 2,5qmm pre-assembled cable, male-female, crimpversion K1
Änderung/Revision			

Weitergabe sowie Vervielfältigung dieses Dokuments, Verwertung und Mitteilung seines Inhalts sind verboten, soweit nicht ausdrücklich gestattet.  
 The reproduction, distribution and utilization of this document as well as the communication of its contents to others without express authorization is prohibited.