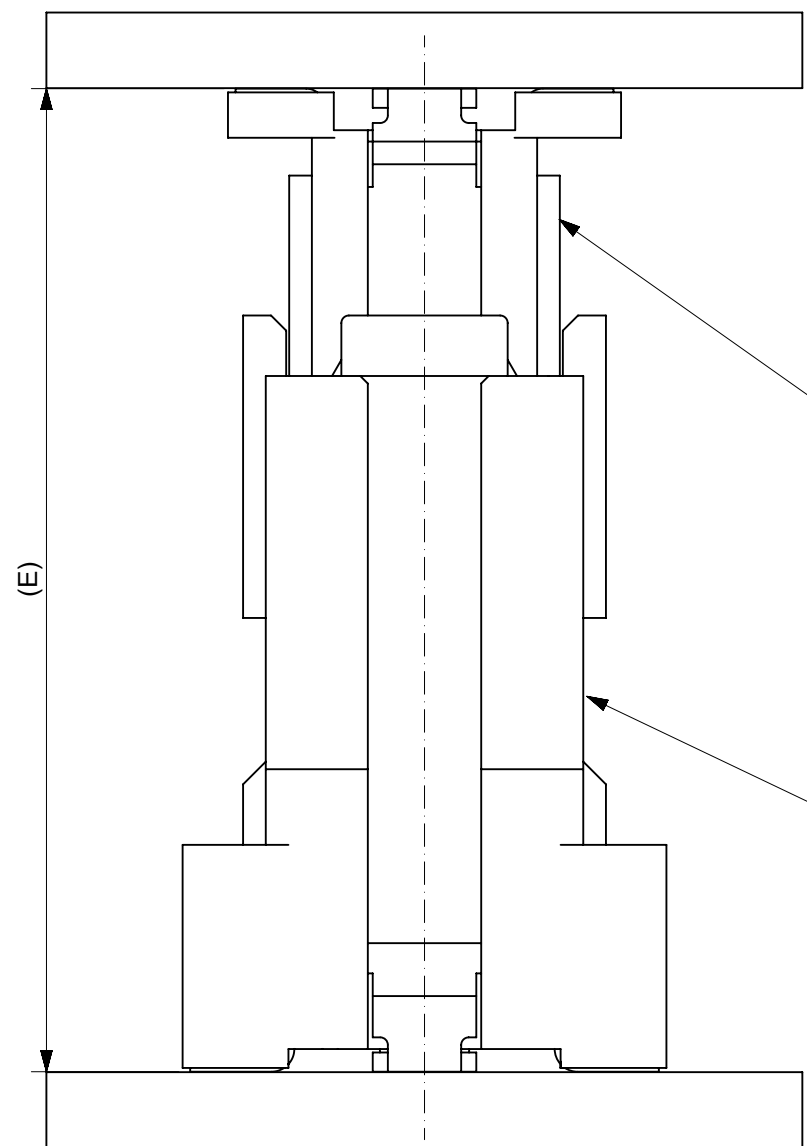


注) NOTES

- 材質 MATERIAL  
 ハウジング: ガラス入りPPS、茶色、UL94V-0  
 HOUSING: G.F.PPS, BROWN, UL94V-0  
 ターミナル: 銅合金 (t=0.2)  
 TERMINAL: COPPER ALLOY  
 吸着カバー: ステンレス (t=0.2)  
 VACUUM COVER: STAINLESS STEEL
- メッキ仕様 PLATING  
 接点部: 金メッキ 0.25µmMIN.  
 CONTACT AREA: GOLD 0.25 MICROMETER MIN.  
 半田付け部: 錫メッキ 1.0µmMIN.  
 SOLDER TAIL AREA: TIN 1.0 MICROMETER MIN.  
 下地メッキ: ニッケルメッキ 1.5µmMIN.  
 UNDER-PLATING: NICKEL 1.5 MICROMETER MIN.
- テールのバラツキ寸法 TAIL COPLANARITY  
 テール平坦度は、0.1 MAX.とする。  
 TAILS COPLANARITY TO BE 0.1 MAX.
- 本製品は 53647-\*\*\*2 の鉛フリー品である。  
 THIS PRODUCT IS LEAD FREE OF 53647-\*\*\*2.

無し WITHOUT	53.77	52.67	50.165	57.67	53647-1674	160
	47.42	46.32	43.815	51.32	53647-1474	140
	41.07	39.97	37.465	44.97	53647-1274	120
	34.72	33.62	31.115	38.62	53647-1074	100
	28.37	27.27	24.765	32.27	53647-0874	80
有り WITH	22.02	20.92	18.415	25.92	53647-0674	60
	15.67	14.57	12.065	19.57	53647-0474	40
	12.5	11.4	8.89	16.4	53647-0374	30
ハウジングロック HSG LOCK	9.32	8.22	5.715	13.22	53647-0274	20
	D	C	B	A	エンボス梱包 EMBOSSED PACKAGE オーダー番号 ORDER NO.	極数 CKT

GENERAL TOLERANCES (UNLESS SPECIFIED)		THIS DRAWING CONTAINS INFORMATION THAT IS PROPRIETARY TO MOLEX ELECTRONIC TECHNOLOGIES, LLC AND SHOULD NOT BE USED WITHOUT WRITTEN PERMISSION	
10 UNDER	± 0.2	DIMENSION UNITS	SCALE
10 OVER 30 UNDER	± 0.25	mm	-
30 OVER	± 0.3	CURRENT REV DESC:	
ANGULAR	± 3 °	EC NO: 612735	
DRAFT WHERE APPLICABLE MUST REMAIN WITHIN DIMENSIONS		DRWN: GSHARMA 2019/02/26	
		CHK'D: MSASAO 2019/02/26	
		APPR: MSASAO 2019/02/26	
		INITIAL REVISION:	
		DRWN: YWADA 2004/03/23	
		APPR: MSASAO 2004/03/24	
		THIRD ANGLE PROJECTION	DRAWING
		⊕	A3-SIZE
		SERIES	MATERIAL NUMBER
		53647	SEE CHART
		CUSTOMER	SHEET NUMBER
		GENERAL MARKET	1 OF 2

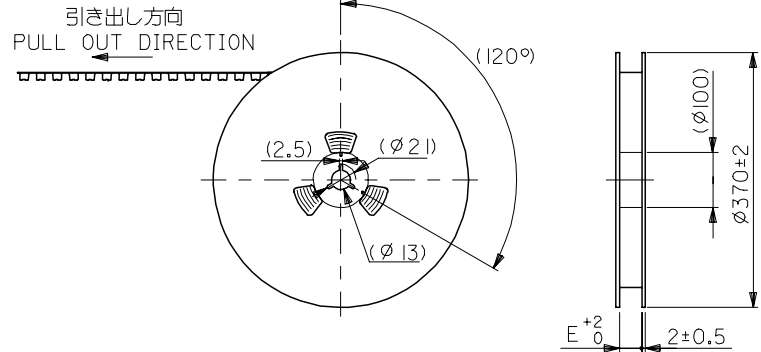


55091 series  
53625 series  
53647 series  
53649 series  
53627 series  
Plug

52885 series  
52901 series  
Receptacle

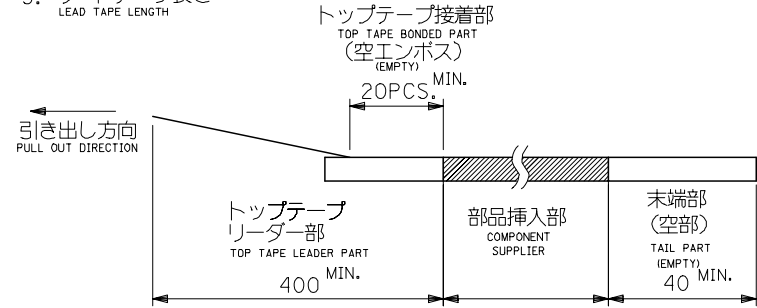
嵌合高さ一覧 Stacking Height variation			
	6	52885 series	55091 series
	7		53625 series
○	8		53647 series
	9		53649 series
	10		53627 series
	12	52901 series	55091 series
	13		53625 series
○	14		53647 series
	15		53649 series
	16		53627 series
本図製品該当高さ Height Application	嵌合高さ E Stacking Height	リセプタクル Receptacle	プラグ Plug

GENERAL TOLERANCES (UNLESS SPECIFIED)		THIS DRAWING CONTAINS INFORMATION THAT IS PROPRIETARY TO MOLEX ELECTRONIC TECHNOLOGIES, LLC AND SHOULD NOT BE USED WITHOUT WRITTEN PERMISSION		
DIMENSION UNITS	SCALE	CURRENT REV DESC:		
mm	-	<b>molex</b> 0.635 PITCH B-TO-B PLUG HS'G COVER ASS'Y -LEAD FREE- PRODUCT CUSTOMER DRAWING		
GENERAL TOLERANCES (UNLESS SPECIFIED)				
10 UNDER	± 0.2			EC NO: 612735
10 OVER 30 UNDER	± 0.25			DRWN: GSHARMA 2019/02/26
30 OVER	± 0.3			CHK'D: MSASAO 2019/02/26
ANGULAR ± 3 °		APPR: MSASAO 2019/02/26		
DRAFT WHERE APPLICABLE MUST REMAIN WITHIN DIMENSIONS		INITIAL REVISION:	DOCUMENT NUMBER	
		DRWN: YWADA 2004/03/23	SD-53647-002	
		APPR: MSASAO 2004/03/24	DOC TYPE DOC PART REVISION	
		THIRD ANGLE PROJECTION	PSD 001 H1	
		DRAWING	MATERIAL NUMBER	
		A3-SIZE	SEE CHART	
		SERIES	CUSTOMER	
		53647	GENERAL MARKET	
			SHEET NUMBER	
			2 OF 2	

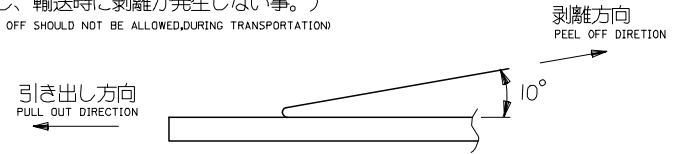


注)  
NOTES

- 製品番号 53647-\*\*\*9 の詳細寸法については、SD-53647-002 を参照下さい。  
IN THE PACKAGE, PART NO. 53647-\*\*\*9 DETAILED DIMENSIONS, SEE SD-53647-002
- 梱包数量 : 840個/リール  
NUMBER OF CONNECTORS : 840 PCS/REEL
- リードテープ長さ  
LEAD TAPE LENGTH



- トップテープの剥離強度 (剥離方向は下図参照)  
PEELING OFF FORCE OF TOP TAPE (PEELING DIRECTION AS SHOWN IN FOLLOWING FIG.)  
0.1~1.3N {10~130gf}  
尚、本規格値は、出荷時に適用。  
THIS REQUIREMENT SHOULD BE APPLIED AT SHIPMENT  
(但し、輸送時に剥離が発生しない事。)  
(PEEL OFF SHOULD NOT BE ALLOWED, DURING TRANSPORTATION)

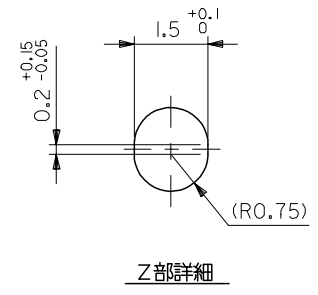
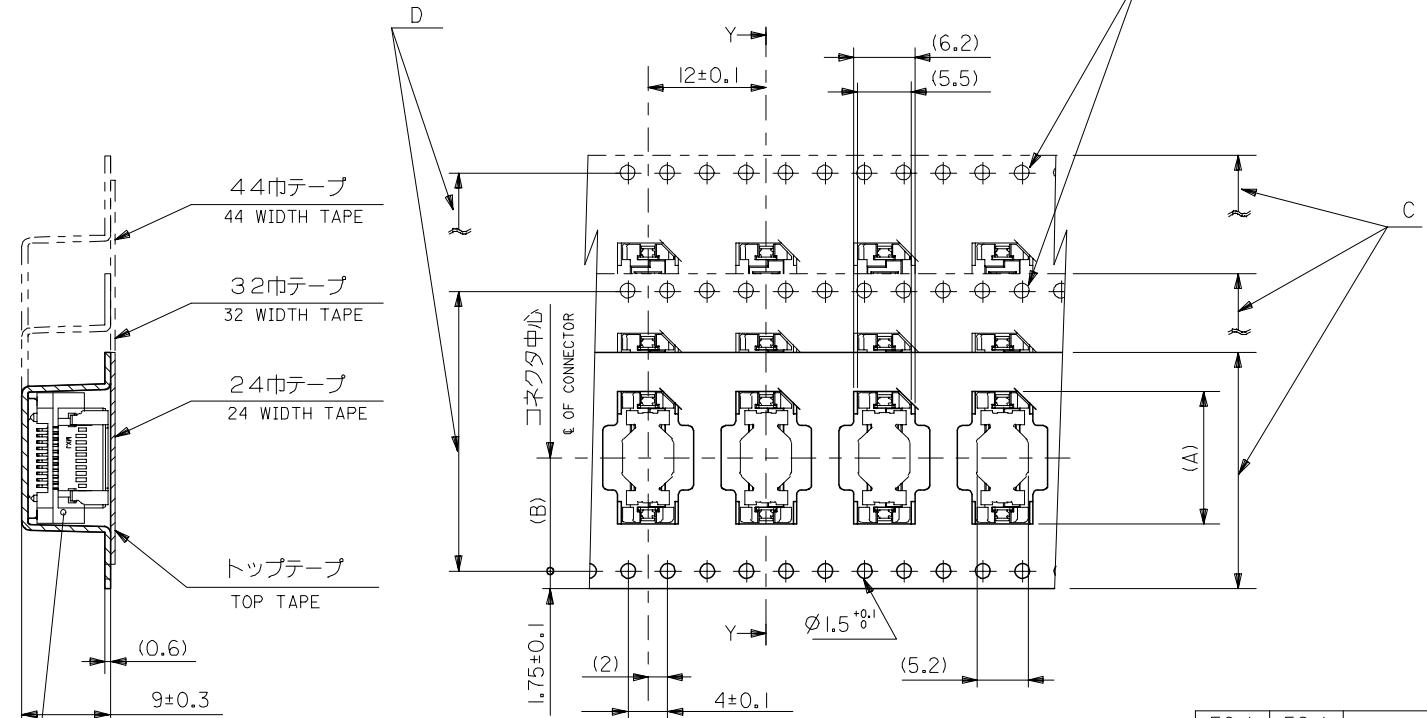


- 材料  
MATERIAL  
キャリアテープ : ポリプロピレン (PP)  
CARRIER TAPE : POLYPROPYLENE (PP)  
トップテープ : PET, PE, PEF  
TOP TAPE : PET, PE, PEF  
リール : 紙  
REEL : CARD BOARD
- 本製品は53647-\*\*\*4の鉛フリー品である。  
THIS PRODUCT IS LEAD FREE OF 53647-\*\*\*4.

MODEL NO. 53647-\*\*\*9

REVISED EC NO: J2006-1852 DRWN: NABEI 2005/12/02 CHKD: TOYODA 2005/12/05 APPR: NUKITA 2005/12/14	GENERAL TOLERANCES (UNLESS SPECIFIED)		DIMENSION STYLE MM ONLY		SCALE ---	DESIGN UNITS METRIC	THIRD ANGLE PROJECTION	
	10 UNDER	± ---	DRAWN BY Y. WADA	DATE '04/03/01	TITLE 53647-***9 TAPING PACKAGE -LEAD FREE-			
	10 OVER 30 UNDER	± ---	CHECKED BY M. SASAO	DATE '04/03/01	MOLEX INCORPORATED			
	30 OVER	± ---	APPROVED BY M. SASAO	DATE '04/03/01				
ANGULAR	± --- °	MATERIAL NO. SEE CHART		DOCUMENT NO. SD-53647-003		SHEET NO. 1 OF 3		
DRAFT WHERE APPLICABLE MUST REMAIN WITHIN DIMENSIONS		SIZE A3 THIS DRAWING CONTAINS INFORMATION THAT IS PROPRIETARY TO MOLEX INCORPORATED AND SHOULD NOT BE USED WITHOUT WRITTEN PERMISSION						

引き出し方向  
PULL OUT DIRECTION



断面 Y-Y  
SECTION Y-Y

累積ピッチ : 40±0.2  
ACCUMULATIVE  
PITCH : 40±0.2

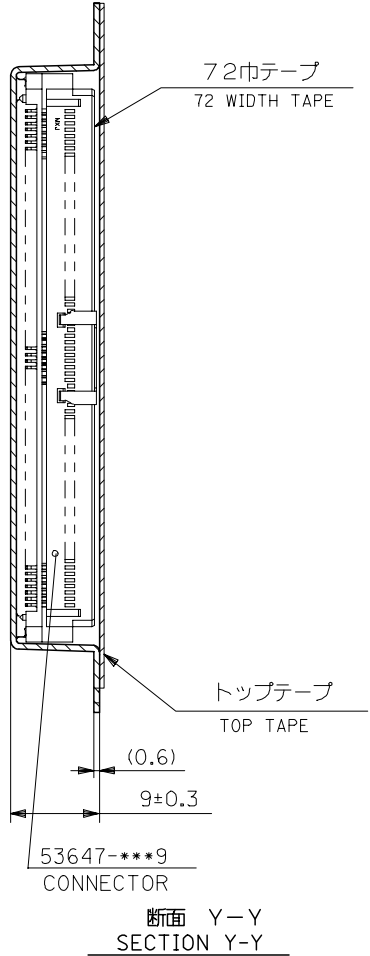
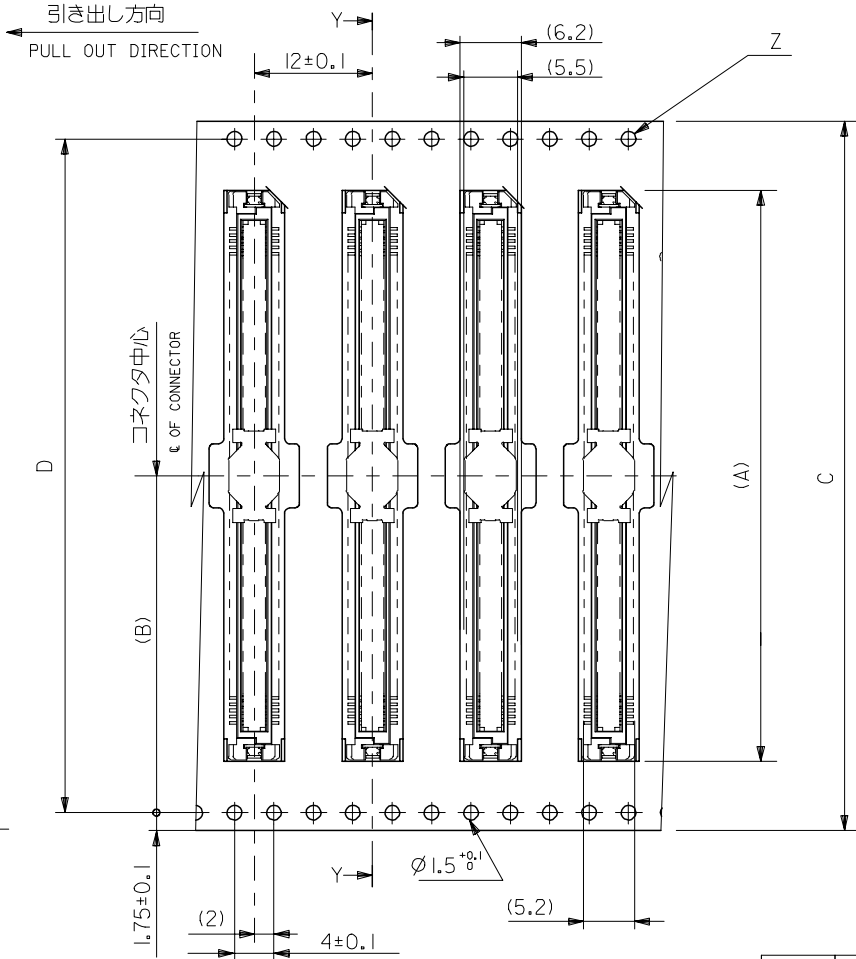
56.4	52.4	56 <sup>+0.3</sup>	26.2	38.9	53647-1074	100
44.4	40.4	44 <sup>+0.3</sup>	20.2	32.6	↑ -0874	80
44.4	40.4	44 <sup>+0.3</sup>	20.2	26.2	-0674	60
32.4	28.4	32 <sup>+0.3</sup>	14.2	19.9	↓ -0474	40
24.4	—	24 <sup>+0.3</sup>	11.5	16.7	-0374	30
E	D	C	キャリアテープ幅 CARRIER TAPE WIDTH	(B)	(A)	MATERIAL NO. 極致 NO. OF CKTS.
				MODEL NO. 53647-***9		

REVISED EC NO: J2006-1852 DRWN: NABEI 2005/12/02 CHKD: KTOYODA 2005/12/05 APPR: NUKITA 2005/12/14	GENERAL TOLERANCES (UNLESS SPECIFIED)		DIMENSION STYLE MM ONLY		SCALE ---	DESIGN UNITS METRIC	THIRD ANGLE PROJECTION
	10 UNDER	± ---	DRAWN BY Y. WADA	DATE '04/03/01	TITLE 53647-***9 TAPING PACKAGE -LEAD FREE-		
	10 OVER 30 UNDER	± ---	CHECKED BY M. SASAO	DATE '04/03/01	MOLEX INCORPORATED		
	30 OVER	± ---	APPROVED BY M. SASAO	DATE '04/03/01	DOCUMENT NO. SD-53647-003		
	ANGULAR	± --- °	MATERIAL NO.		SHEET NO. 2 OF 3		
DRAFT WHERE APPLICABLE MUST REMAIN WITHIN DIMENSIONS		SIZE A3		THIS DRAWING CONTAINS INFORMATION THAT IS PROPRIETARY TO MOLEX INCORPORATED AND SHOULD NOT BE USED WITHOUT WRITTEN PERMISSION			

10 9 8 7 6 5 4 3 2 1

F  
E  
D  
C  
B  
A

F  
E  
D  
C  
B  
A



累積ピッチ : 40±0.2  
ACCUMULATIVE PITCH : 40±0.2

72.4	68.4	72 ±0.3	34.2	51.6	53647-1474	140
E	D	C	(B)	(A)	MATERIAL NO.	極致 NO. OF CKTS.
		キャリアテープ幅 CARRIER TAPE WIDTH			MODEL NO.	53647-***9

REVISED EC NO: J2006-1852 DRWN: MABEI 2005/12/02 CHKD: KTOYODA 2005/12/05 APPR: NUKITA 2005/12/14	GENERAL TOLERANCES (UNLESS SPECIFIED)		DIMENSION STYLE MM ONLY	SCALE ---	DESIGN UNITS METRIC	THIRD ANGLE PROJECTION
	10 UNDER	± ---	DRAWN BY Y. WADA	DATE '04/03/01	TITLE 53647-***9 TAPING PACKAGE -LEAD FREE-	
	10 OVER 30 UNDER	± ---	CHECKED BY M. SASAO	DATE '04/03/01	MOLEX INCORPORATED	
	30 OVER	± ---	APPROVED BY M. SASAO	DATE '04/03/01	DOCUMENT NO. SD-53647-003	SHEET NO. 3 OF 3
	ANGULAR	± --- °	MATERIAL NO. SEE CHART			
DRAFT WHERE APPLICABLE MUST REMAIN WITHIN DIMENSIONS		THIS DRAWING CONTAINS INFORMATION THAT IS PROPRIETARY TO MOLEX INCORPORATED AND SHOULD NOT BE USED WITHOUT WRITTEN PERMISSION				