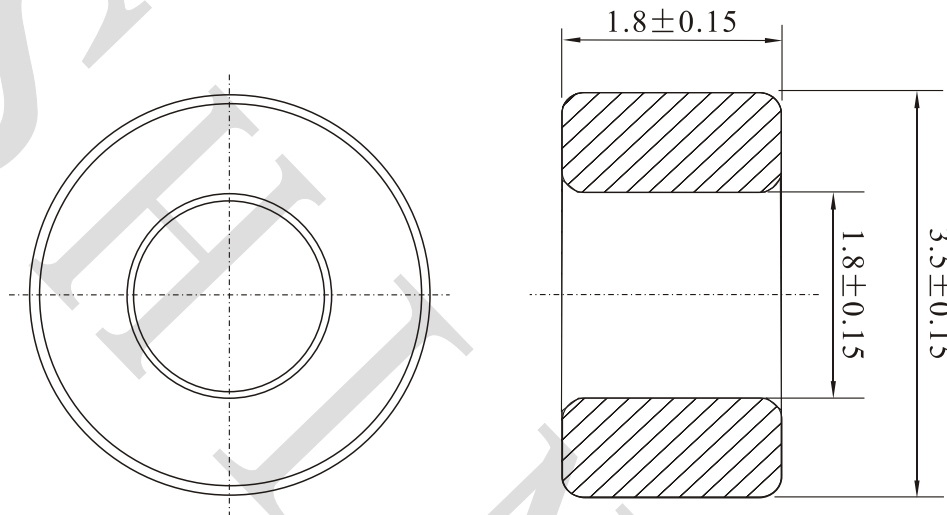


SPECIFICATION FOR APPROVAL



CUSTOMER		PART NO:	H10K T3.5X1.8X1.8
DATE	2021/06/02	TEMPERATURE	25°C
HUMIDITY	60%		

1. DIMENSIONS: (mm)



Without coating

2. ELECTRICAL CHARACTERISTICS

AL nH/N ²	C _i /A mm ⁻¹	Le mm	Ae mm ²	Ve mm ³	Weight g
2300 ± 30%	5.44	8.33	1.53	12.74	0.05
TEST CONDITIONS	AL: F=10KHz U=0.05V T=23°C ± 3°C N=10Ts				
TESTING EQUIPMENT	HP4284A		CH-258		

Initial permeability: 10000 ± 30%

PRPARED BY		APPROVED BY	
------------	--	-------------	--

www.shinhom.com

NO.100,YanTa Northern road,xi'anCity Shaanxi pro.china TEL; +86-29-87851916 FAX: +86-29-87851840 E-mail: sales@shinhom.com.cn