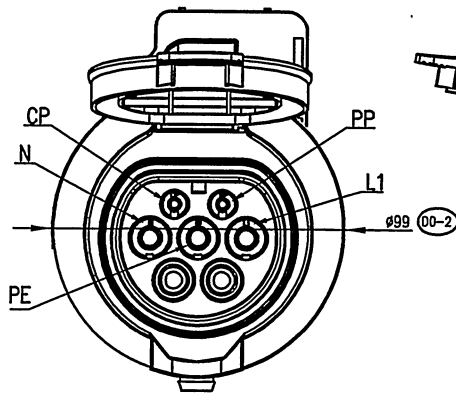
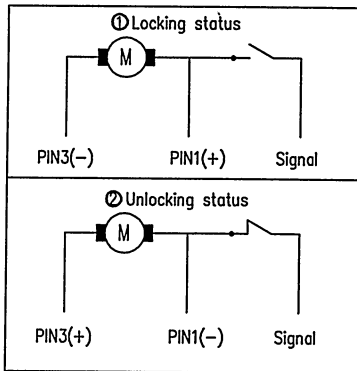


REVISION RECORD

REV	ECN	DESCRIPTION	DRFT	DATE
00-2		Drawings to upgrade	LLL	2019.10.17

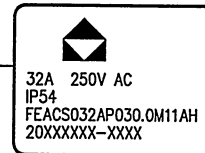


Micro actuator diagram



Micro actuator parameters:  
 Rated Voltage: DC 12V  
 Operating Voltage : 9~15.5 V  
 Current consumption: <2.4A  
 Reactive Time: 40ms <math>t < 200ms</math>  
 ① PIN 1 +, PIN3 -: The switch will be disconnected in Locking status  
 ② PIN 1 -, PIN3 +: The switch will be connected in unlocking status  
 PIN 2: signal  
 H -Bridge is necessary for polarity change

Laser Printing:



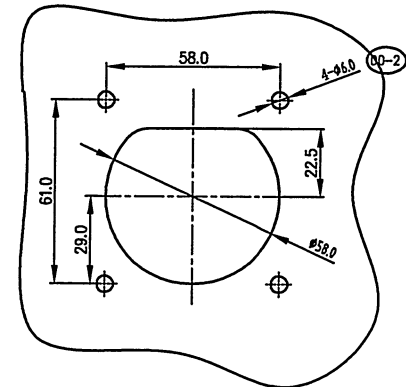
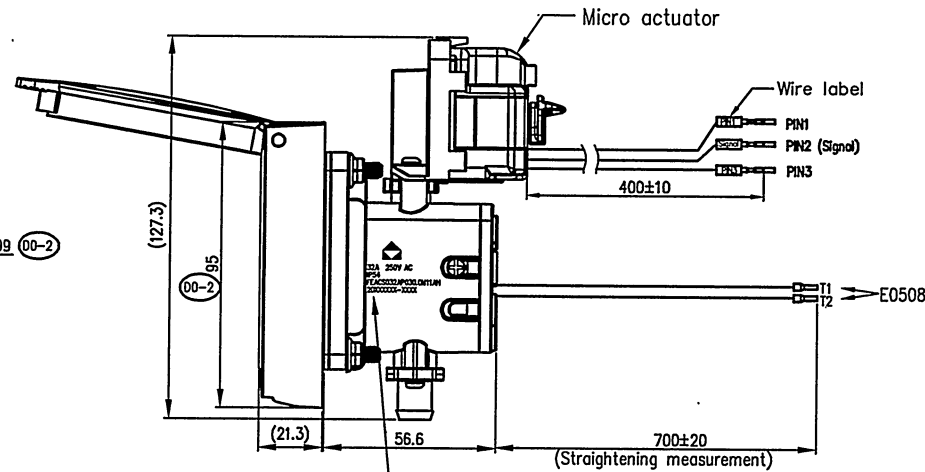
Connection Mode:

L1	(6mm <sup>2</sup> )	L1
N	(6mm <sup>2</sup> )	N
PE	(6mm <sup>2</sup> )	PE
PP	(0.75mm <sup>2</sup> )	PP
CP	(0.75mm <sup>2</sup> )	CP
NTC	White	T1
	White	T2
	Green	PIN1
Micro Actuator	Blue	PIN2 (Signal)
	Red	PIN3

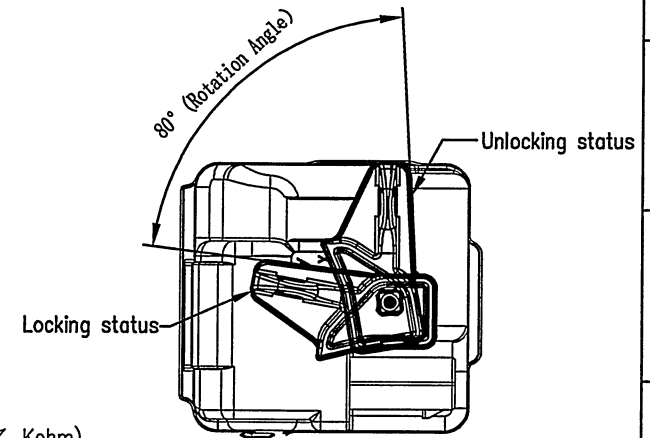
Attention:  
 The Thermistor is placed beside of L1  
 The Thermistor is NTC  
 (Specification :T= 25°C Resistance = 10±1% Kohm)  
 The resistance decreases with increasing temperature

Size Measure Range	.XX	.X
≤6	±0.05	±0.10
6~30	±0.10	±0.20
30~120	±0.15	±0.30
120~400	±0.20	±0.50
400~1000	±0.30	±0.80
1000~2000	±0.50	±1.20
Angle Measure Range	.XX	.X
	±0.5°	±1.0°

PART NO.:	宁波高松电子有限公司 NINGBO DEGSON ELECTRICAL CO., LTD
APPD: ZX 20191017	NAME: Socket-Outlet (32A AC single-phase )
CHKD: DT 2019.10.17	FEAC-S-032A-P-03-0.0M-11A(H)
DRFT: LLL 2019-09-24	TITLE: Customer Drawing
THIRD ANGLE PROJECTION	REV DO-2
	SHEET 1/1
	SCALE 1:2



Installation plate dimension



Technical data	
Rated voltage	250V AC
Rated current	32A
Temperature range	-30°C~+50°C
Insulate resistance	>5MΩ,500V DC 1min
Withstanding Voltage	L, N and PE 2500V AC 1min L and N 2500V AC 1min
Ingress protection rating	IP54
Mechanical Working Life (Mating Cycles)	10,000 Times
Standartd	IEC 62196-2:2016
Flame Class	UL 94V-0