

REVISION RECORD

REV	ECN	DESCRIPTION	DRFT	DATE
-----	-----	-------------	------	------

DG636 - 7.62 - XXP - 1Y - 00A (H)
 (Series No.) (Pitch) (Poles) (Single Pitch) (RoHS)
 00A-(Standard)
 (Color): 1.(Grey) 2.(Blue) 3.(Black) 4.(Green) 5.(Orange)
 6.(Red) 7.(Transparent) 8.(Yellow) 9.(White)

NOTES1:

UL Standard

1. Rated voltage/current : 300V / 30A
2. Torque value : M3 , 4.43Lb.in
3. Wire range : 26~10AWG

IEC Standard

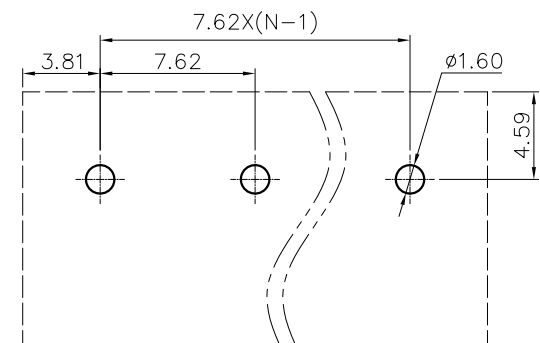
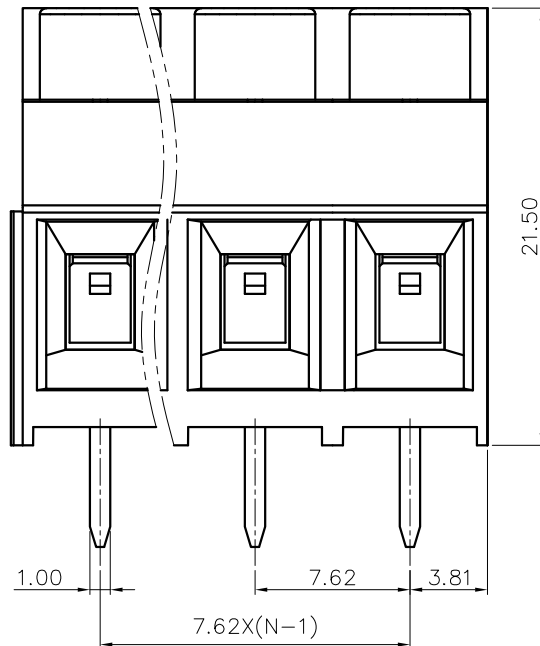
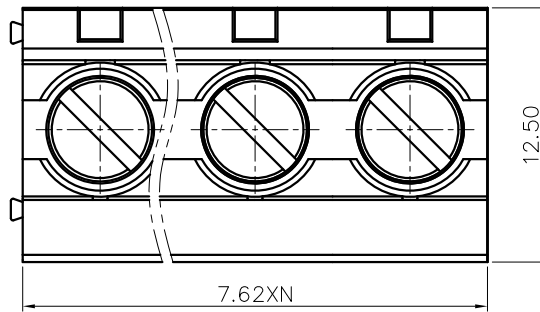
1. Rated voltage/current : 630V / 32A
2. Torque value : M3 , 0.5N·m
3. Wire range : 0.2~4.0mm²/0.2~6.0mm²

NOTES2:

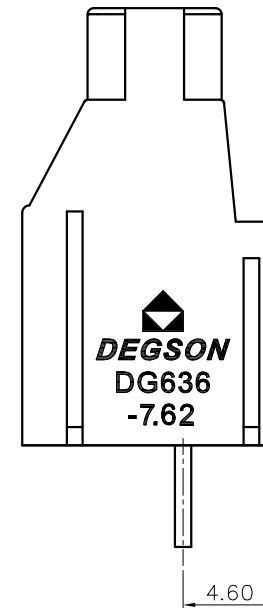
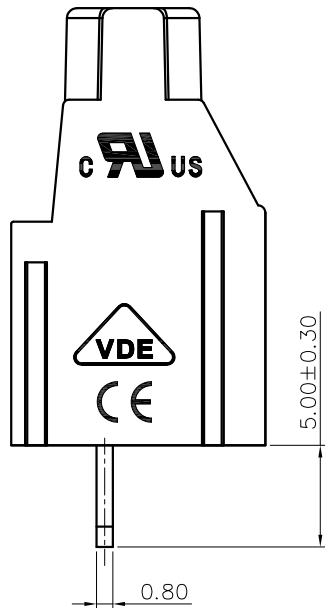
1. Dimension shall be interpreted per ASME Y14.5-2009
2. Pitch : 7.62mm, Poles : N=02~24P
3. Stripping length : 8mm
4. Withstanding voltage : AC3000V/1Min.
5. Operating temperature: -40°C~+105°C
6. Undimensioned tolerances:

Pitch range in mm	Nominal dimension range in mm						-	∩	∠
	Over 6 TO 6	Over 10 TO 10	Over 10 TO 24	Over 30 TO 30	Over 60 TO 60	Over 100 TO 150			
	±0.15	±0.20	±0.30	±0.30	±0.50	±0.70	±1.00	±1.30	±2'

7. RoHS Compliance



PCB LAYOUT



DETACHED LISTS	PART NO.:	/			
	APPD:	/			
	CHKD:	/			
	DRFT:	/			
	THIRD ANGLE PROJECTION		DRAWING NO.:		REV
		/		SHEET	1/1
		MM (INCH)		SCALE	1:1
		DO NOT SCALE DRAWING			

宁波高松电子有限公司
 NINGBO DEGSON ELECTRICAL CO., LTD

NAME: DG636-7.62-XXP-1Y-00A(H)

TITLE: CUSTOMER DRAWING

DRAWING NO.:

MM (INCH)

SHEET

SCALE

1/1

1:1