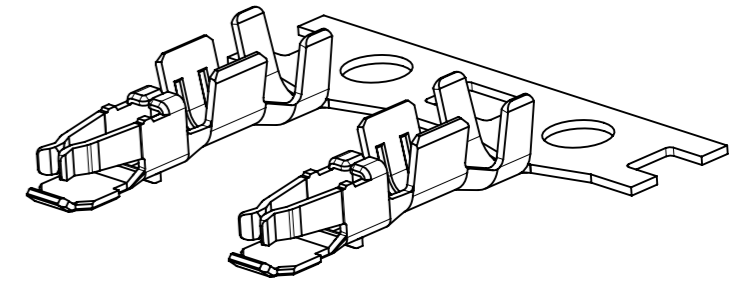
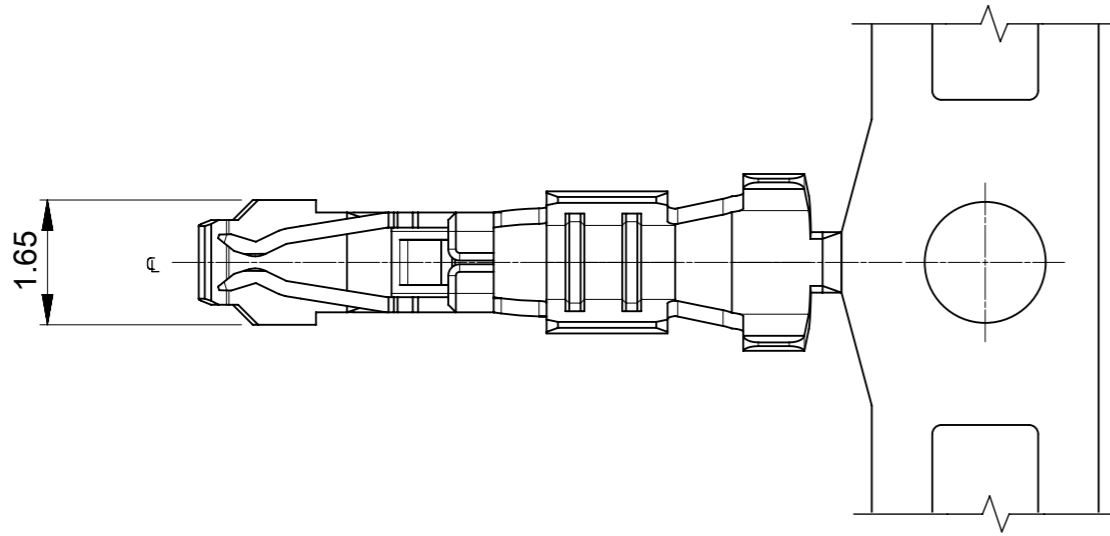
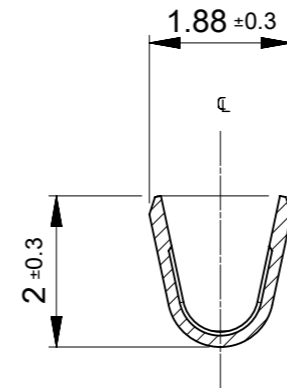
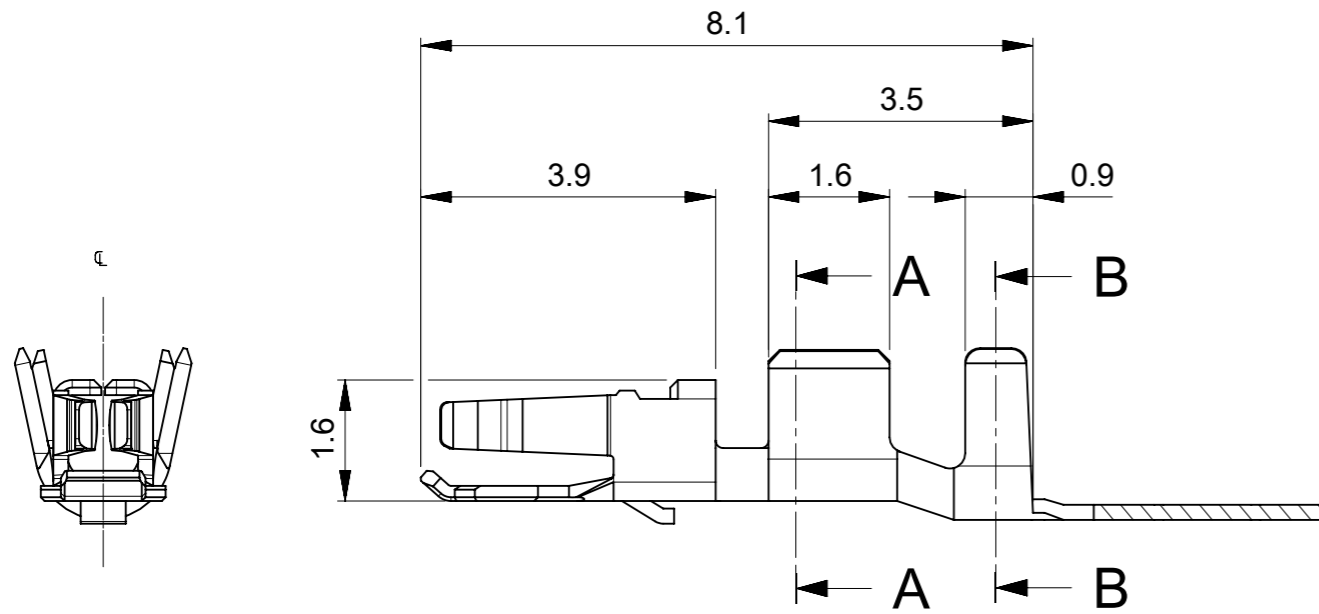


2053425028
AWG #20-22

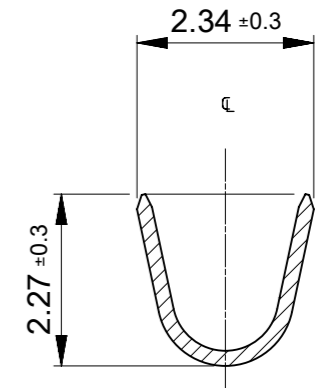


NOTES

- △1 材質及び仕上げ（めっき仕様）：TABLE 1参照
MATERIAL AND FINISHES: SEE TABLE 1
- △2 適合製品及び各種仕様書はSHEET 3を参照のこと
REFER TO SHEET 3 ABOUT APPLICABLE PRODUCTS
AND VARIOUS SPECIFICATIONS.



SECTION A-A



SECTION B-B

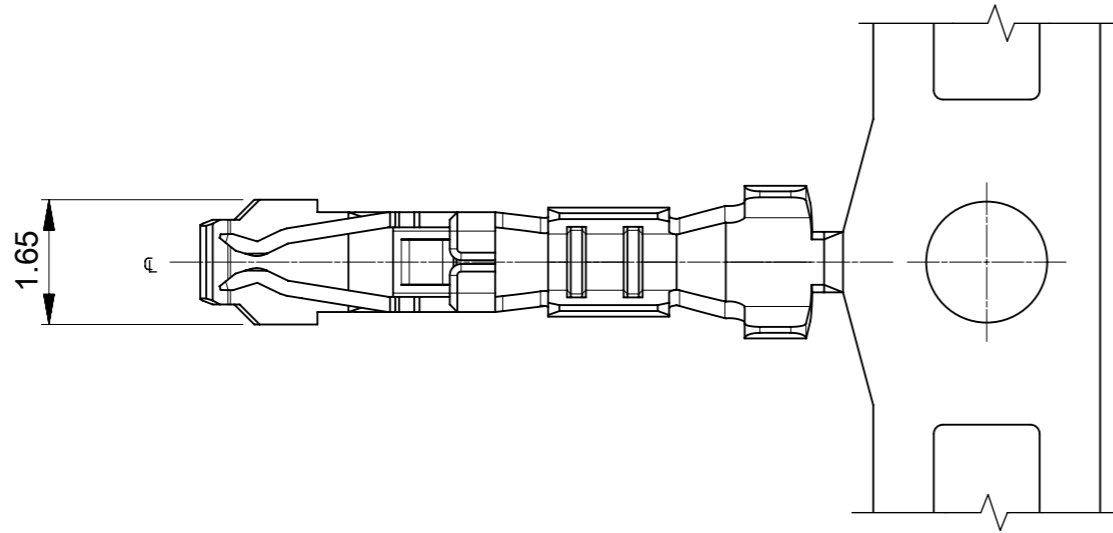
△1 TABLE 1

∅0.85-1.3 mm	AWG #24-26	2053425128	CHAIN
∅1.2-1.5 mm	AWG #20-22	2053425028	
INS RANGE	WIRE RANGE	ORDER NO	FORM
梱包状態：リール PACKAGING：REEL			

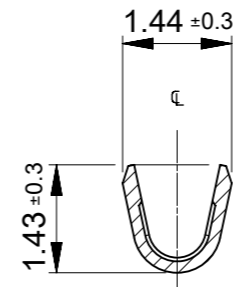
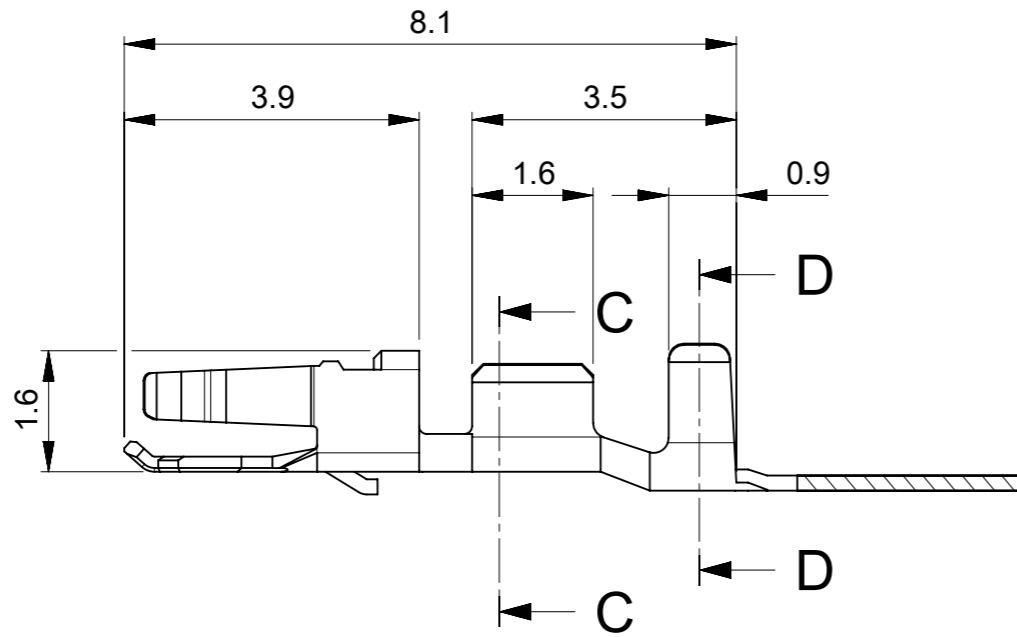
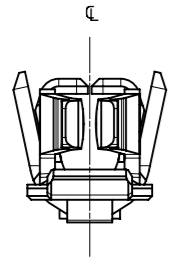
THIS DRAWING CONTAINS INFORMATION THAT IS PROPRIETARY TO MOLEX ELECTRONIC TECHNOLOGIES, LLC AND SHOULD NOT BE USED WITHOUT WRITTEN PERMISSION		CURRENT REV DESC:		molex				
DIMENSION UNITS	SCALE	EC NO: 653607						PICO-LOCK 2.0 REC CRIMP TERM GOLD PLATING
mm	NTS	DRWN: MIKEDA01 2021/01/21		PRODUCT CUSTOMER DRAWING				
GENERAL TOLERANCES (UNLESS SPECIFIED)		CHK'D: SAKIYAMA 2021/01/25		DOCUMENT NUMBER				
ANGULAR TOL ± 3.0°		APPR: KOMURAKAMI 2021/01/25		2053420000-SD		DOC TYPE	DOC PART	REVISION
4 PLACES	± 0.2	INITIAL REVISION:		2019/10/17		PSD	000	B
3 PLACES	± 0.2	DRWN: QHE31		2020/02/19		SHEET NUMBER		
2 PLACES	± 0.2	APPR: KOMURAKAMI		2020/02/19		1 OF 3		
1 PLACE	± 0.2	DRAFT WHERE APPLICABLE MUST REMAIN WITHIN DIMENSIONS		THIRD ANGLE PROJECTION	DRAWING	SERIES	MATERIAL NUMBER	CUSTOMER
0 PLACES	± 0.2	A3-SIZE		205342	SEE CHART	GENERAL		

部品 PART	材質 MATERIAL	
ターミナル TERMINAL	銅合金 COPPER ALLOY	
	接点部 CONTACT	金フラッシュめっき GOLD FLASH PLATING
	下地めっき UNDER PLATING	ニッケルめっき(下地) NICKEL (UNDER PLATING)
DOCUMENT STATUS	P1	RELEASE DATE 2021/01/25 07:21:59

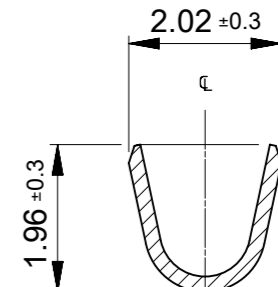
2053425128
AWG #24-26



3. 2053425028 と2053425128のめっき仕様は共通。
BOTH 2053425028 AND 2053425128 ARE APPLIED WITH THE SAME PLATING.



SECTION C-C



SECTION D-D

THIS DRAWING CONTAINS INFORMATION THAT IS PROPRIETARY TO MOLEX ELECTRONIC TECHNOLOGIES, LLC AND SHOULD NOT BE USED WITHOUT WRITTEN PERMISSION									
DIMENSION UNITS		SCALE		CURRENT REV DESC:				molex	
mm		NTS							
GENERAL TOLERANCES (UNLESS SPECIFIED)				EC NO: 653607				PICO-LOCK 2.0 REC CRIMP TERM GOLD PLATING	
ANGULAR TOL ± 3.0 °				DRWN: MIKEDA01 2021/01/21				PRODUCT CUSTOMER DRAWING	
4 PLACES ± 0.2				CHK'D: SAKIYAMA 2021/01/25				DOCUMENT NUMBER	
3 PLACES ± 0.2				APPR: KOMURAKAMI 2021/01/25				2053420000-SD	
2 PLACES ± 0.2				INITIAL REVISION:				DOC TYPE	
1 PLACE ± 0.2				DRWN: QHE31 2019/10/17				PSD	
0 PLACES ± 0.2				APPR: KOMURAKAMI 2020/02/19				DOC PART	
DRAFT WHERE APPLICABLE MUST REMAIN WITHIN DIMENSIONS				THIRD ANGLE PROJECTION		DRAWING		REVISION	
				A3-SIZE		SERIES		SHEET NUMBER	
						205342		2 OF 3	
				MATERIAL NUMBER		CUSTOMER			
				SEE CHART		GENERAL			

△ 適合製品及び各種仕様書
 APPLICABLE PRODUCTS AND VARIOUS SPECIFICATIONS

梱包仕様書 PACKAGING SPECIFICATION	PART NUMBER	DOCUMENT NUMBER
	2053425028	2053429200-SPK PS 200
	2053425128	

適合ハウジング APPLICABLE HOUSING	SINGLE TYPE
シリーズ番号 SERIES No	205341

適合嵌合相手 MATE WITH	SMT
	GOLD PLATING
	RIGHT ANGLE
シリーズ番号 SERIES No	205338
製品仕様書 PRODUCT SPECIFICATION	2053410000-PS PS 000
アプリケーション仕様書 APPLICATION SPECIFICATION	2053410000-AS PS 000

THIS DRAWING CONTAINS INFORMATION THAT IS PROPRIETARY TO MOLEX ELECTRONIC TECHNOLOGIES, LLC AND SHOULD NOT BE USED WITHOUT WRITTEN PERMISSION										
DIMENSION UNITS	SCALE	CURRENT REV DESC:			molex					
mm	NTS									
GENERAL TOLERANCES (UNLESS SPECIFIED)		EC NO: 653607 DRWN: MIKEDA01 2021/01/21 CHK'D: SAKIYAMA 2021/01/25 APPR: KOMURAKAMI 2021/01/25			PICO-LOCK 2.0 REC CRIMP TERM GOLD PLATING					
ANGULAR TOL ± 3.0 °					PRODUCT CUSTOMER DRAWING					
4 PLACES ± 0.2	INITIAL REVISION: DRWN: QHE31 2019/10/17 APPR: KOMURAKAMI 2020/02/19				DOCUMENT NUMBER			DOC TYPE	DOC PART	REVISION
3 PLACES ± 0.2					2053420000-SD			PSD	000	B
2 PLACES ± 0.2					MATERIAL NUMBER			CUSTOMER		
1 PLACE ± 0.2					A3-SIZE 205342			GENERAL		
0 PLACES ± 0.2		SHEET NUMBER			3 OF 3					
DRAFT WHERE APPLICABLE MUST REMAIN WITHIN DIMENSIONS		THIRD ANGLE PROJECTION	DRAWING	SERIES	MATERIAL NUMBER		CUSTOMER		SHEET NUMBER	