

REV.	ECN NUMBER	DESCRIPTION	DATE	DRAWN	CHECKED	APPROVED
X1	ECN191271	FIRST RELEASE	06/11'19	MARK	BILL	BILL

NOTES:

1. Electrical specification:
 - 1.1 Impedance:50Ω
 - 1.2 Frequency range: 0~6GHZ
 - 1.3 VSWR:1.2 MAX.
 - 1.4 Insertion loss: 0.4 dB MAX.
 - 1.5 Voltage rating: 335VAC
 - 1.6 Dielectric withstanding voltage: 500V
 - 1.7 Insulation resistance: 1000MΩ
2. Mechanical specification:
 - 2.1 Center contact retention force: 10N Min
 - 2.2 Durability: 500 cycles
3. Environmental characteristics:
 - 3.1 Operation temperature: -45°C~+165°C
 - 3.2 Salt spray: 48 hours

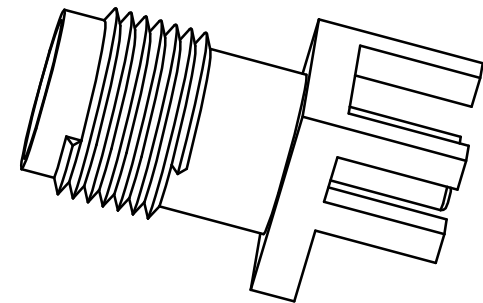
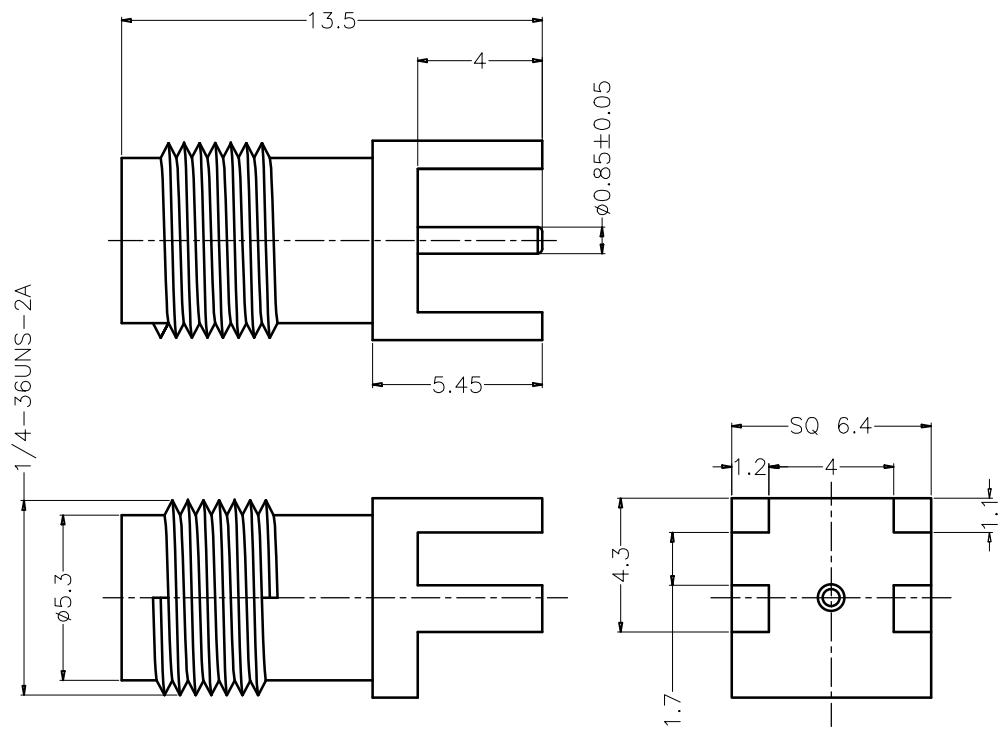


TABLE:

BOM	Insulation	1	PTFE	Natural
	Contact	1	C17200	Gold plated
	Shell	1	C3604	Gold plated
	PART NAME	Q'TY	MATERIAL	FINISH/COLOR

	GENERAL TOLERANCE		SCALE: 1:1	DRAWN: MARK	DATE: 06/11'19	DWG.NO: 600-16437-01	TITLE: CUSTOMER DRAWING SMA,SMA-KHD9, 1.7	REV. X1
	XX± 0.40		UNIT: mm	CHECK:	DATE:	PARTS NO.(INTENDED USE):		SHEET: 1/1
	X± 0.35	XX,*± 3°	SIZE: A4	APPROVE:	DATE:	818016437		
	.X± 0.25	X,*± 2°						
.XX± 0.20	.X,*± 1°							