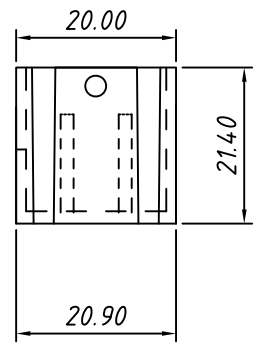
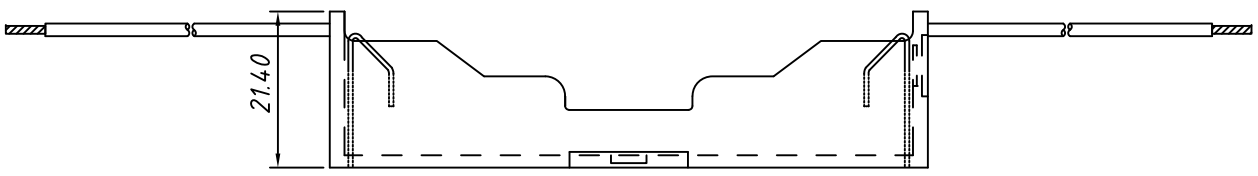
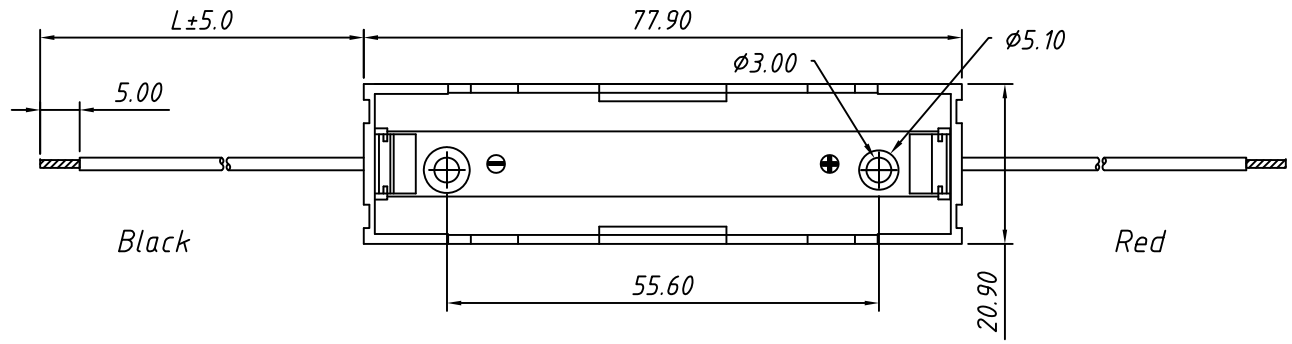



1  
RoHS Compliant

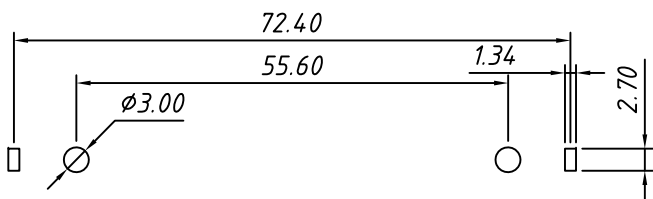
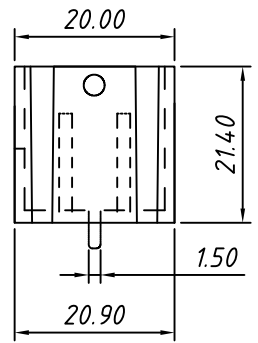
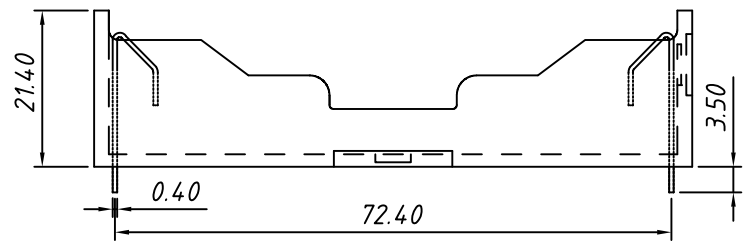
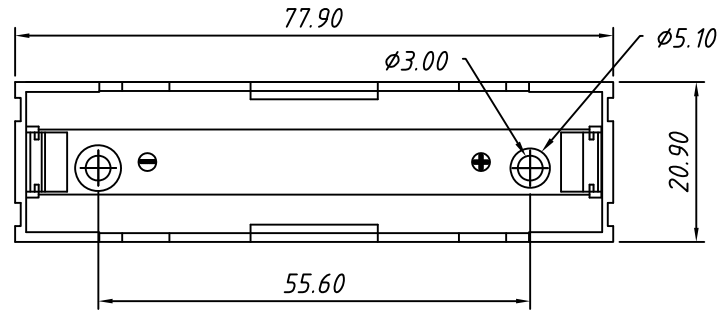
MATERIAL  
 Insulator: ABS,Black,UL 94HB  
 Contact: 304 Stainless Steel Spring  
 Temper,Nickel plated

ORDER INFORMATION:  
 L - KLS5 - 18650-006 - B LXXX  
 RoHS  
 1Li-ion 18650 Battery Holder  
 B : with WIRE(22AWG)  
 XXX: Cable Long



GENERAL TOLERANCE	±0.50	PROJECTION	Description:	1Li-ion 18650
		UNITS		
Angle TOLERANCE	±3°	SHEET SIZE	A4	
		KLS P/N:		L-KLS5-18650-006-BLXXX
Draw:	Daniel	 NingBo KLS ELECTRONIC CO.,L TD.		
Check:	Daniel			
Data:	2019-03-08			

1 RoHS Compliant



RECOMMENDED PCB LAYOUT  
TOLERANCE: ±0.05

**MATERIAL**

Insulator: ABS,Black,UL 94HB

Contact: 304 Stainless Steel Spring  
Temper,Nickel plated

**ORDER INFORMATION:**

L- KLS5 - 18650 - 006 - D

RoHS  
1 Li-ion 18650 Battery Holder  
D : with PC Pin

GENERAL TOLERANCE	±0.50	PROJECTION		Description: 1 Li-ion 18650 Battery Holder,with PC Pin
		UNITS	mm	
Angle TOLERANCE	±3°	SHEET SIZE	A4	KLS P/N: L-KLS5-18650-006-D
Draw:	Daniel	NingBo KLS ELECTRONIC CO.,L TD.		
Check:	Daniel			
Data:	2019-03-08			