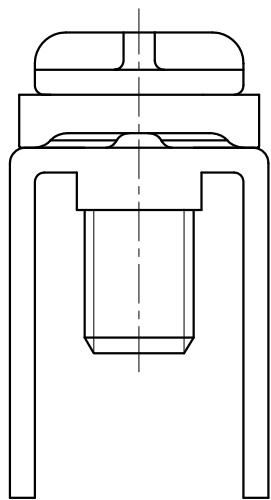
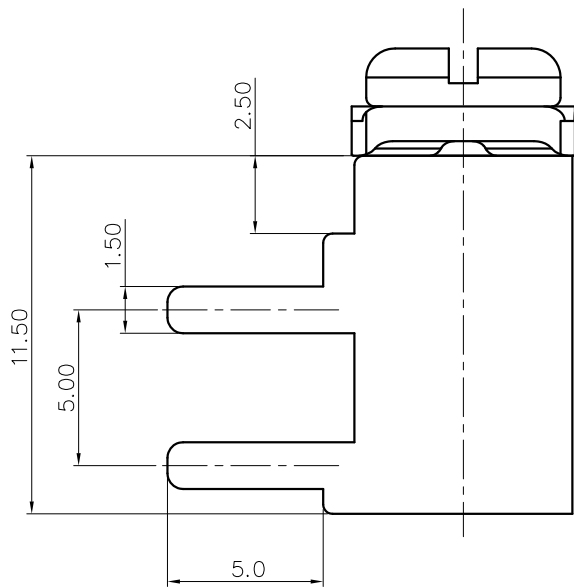
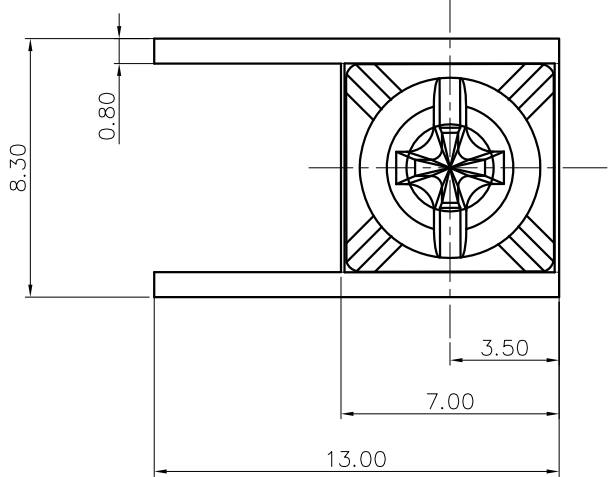


REVISION RECORD				
REV	ECN	DESCRIPTION	DRFT	DATE



- NOTES:
- 1.Torque Value : M3.5 , 6.88Lb.in
 - 2.Wire Range:18-14AWG;
 - 3.Dimension shall be interpreted per ASME Y14.5-2009
 - 4.Undimensioned tolerances:

Pitch range in mm		Nominal dimension range in mm						-	∩	∇
To	Over	Over	Over	Over	Over	Over				
6	10	10	24	30	60	100	150			
±0.15	±0.20	±0.30	±0.30	±0.50	±0.70	±1.00	±1.30	0.1/10		
								<	±2'	

5.RoHS Compliance
 K15-00A (H)
 (Series No.) (RoHS) 00A-(Standard)

DETACHED LISTS	PART NO.:	/				宁波高松电子有限公司 NINGBO DEGSON ELECTRICAL CO., LTD			
	APPD:	NAME: K15-00A(H)							
	CHKD:	TITLE: CUSTOMER DRAWING							
	DRFT:	DRAWING NO.: /				REV	DO		
THIRD ANGLE PROJECTION		MM (INCH)		DO NOT SCALE DRAWING				SHEET	1/1
				SCALE				1:1	