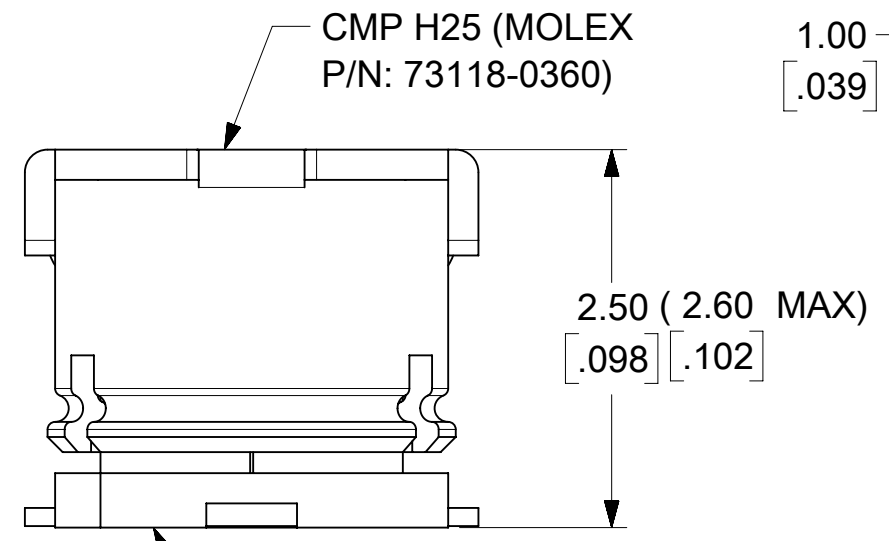
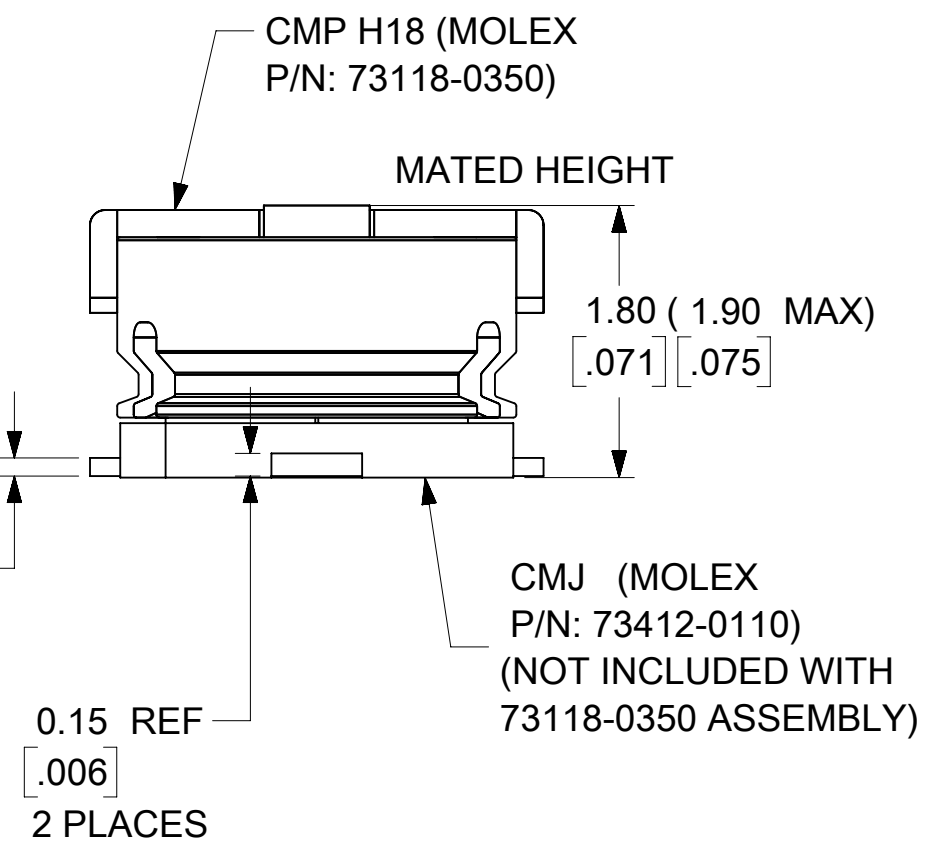
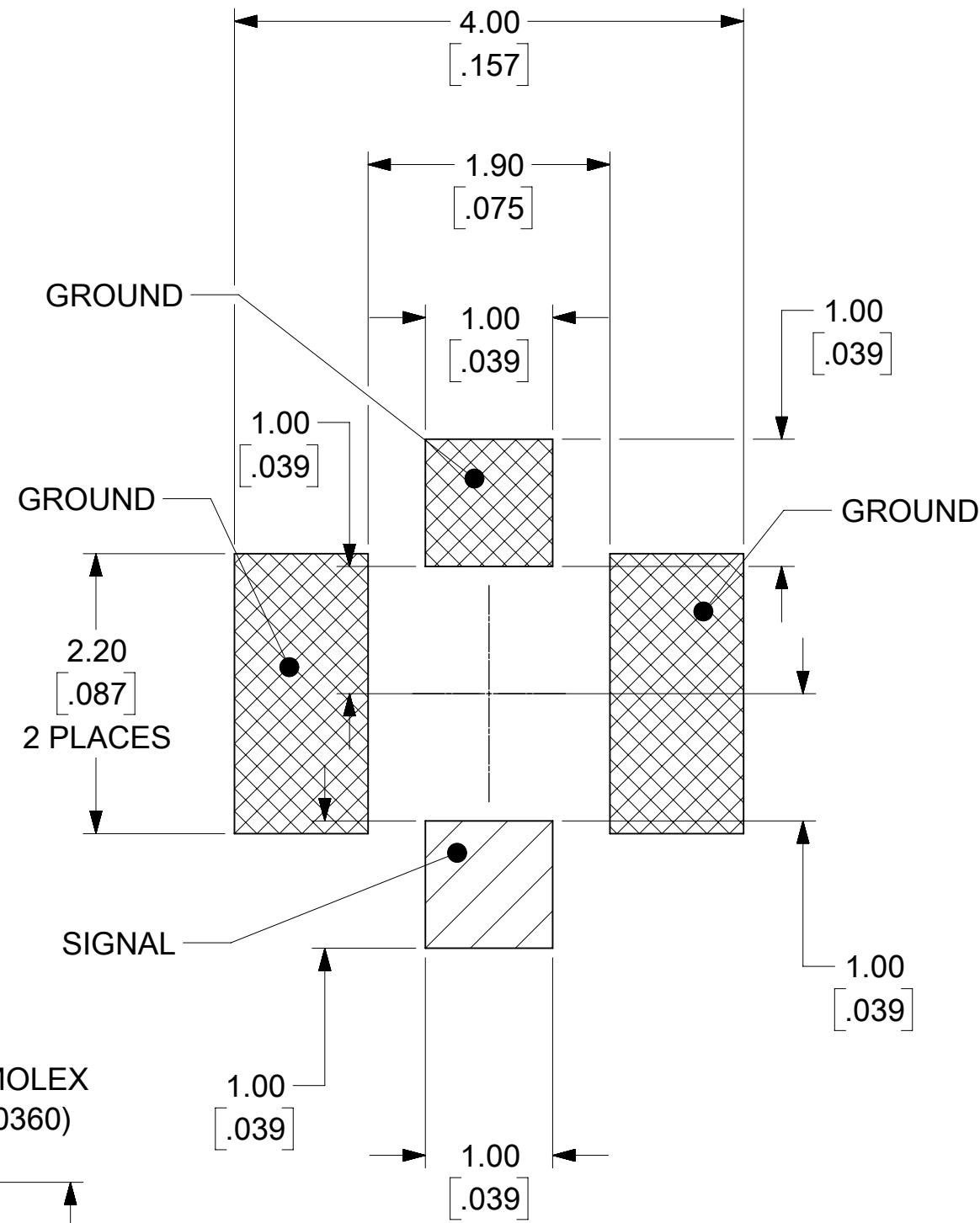
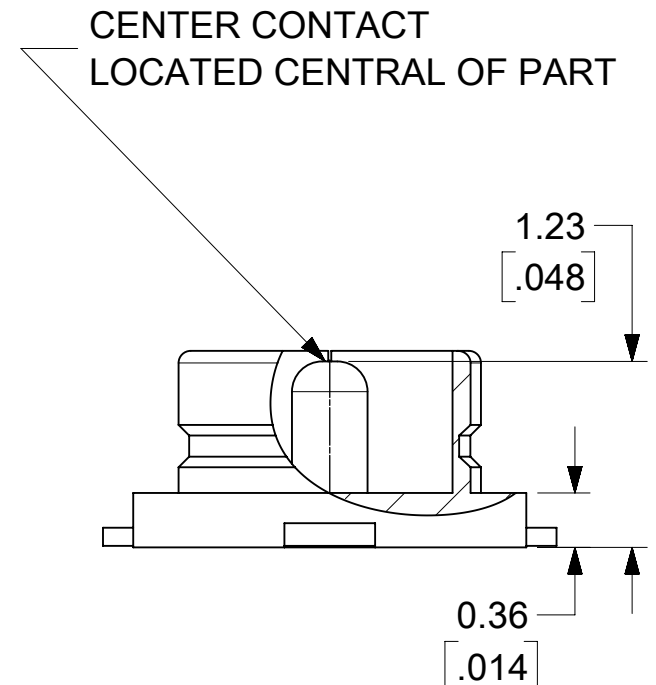
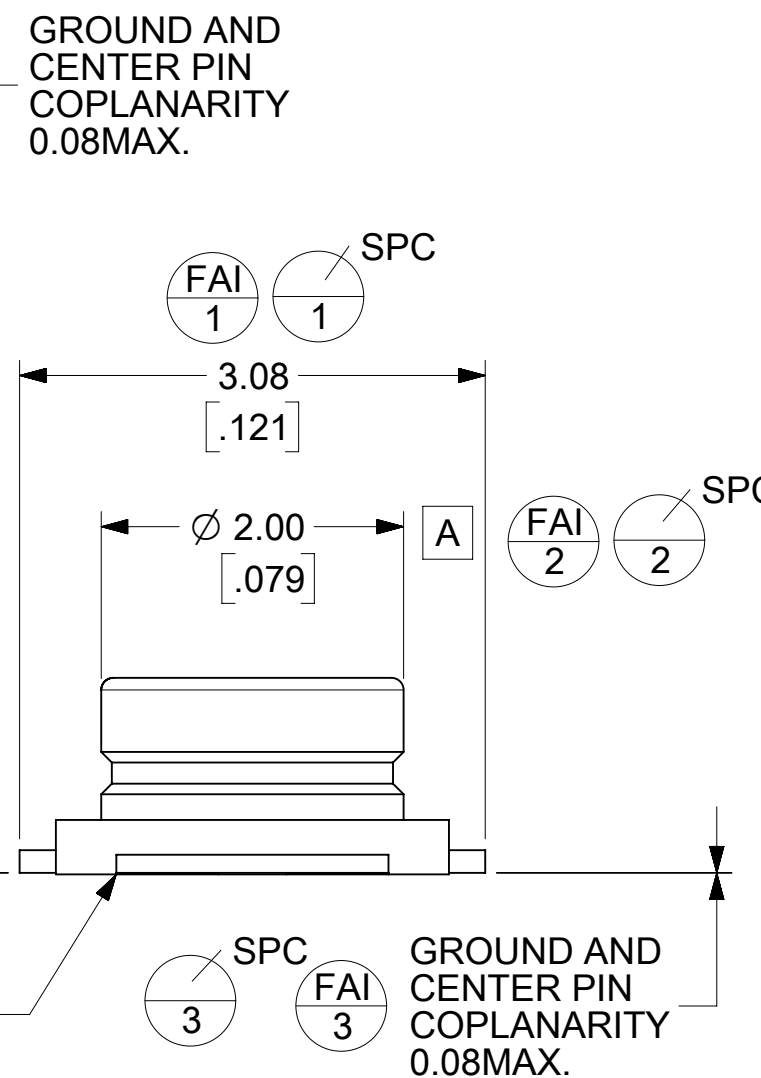
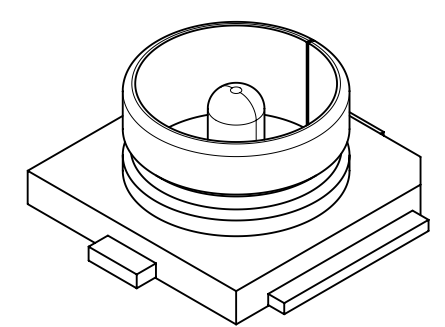


**MATERIAL AND FINISHES:**

BASE: LCP SIVERAS L304T40B  
 CONTACT: BRASS  
 C2680 (t=0.15)  
 PLATED: GOLD (0.03 MICROMETER MINIMUM) OVER  
 NICKEL (1~4 MICROMETER)  
 OUTER CONTACT: PHOSPHOR BRONZE(JIS 5191-SH)  
 C5210(t=0.12)  
 PLATED: GOLD (0.03 MICROMETER MINIMUM) OVER  
 NICKEL (1~4 MICROMETER)

WILL WITHSTAND REFLOW  
 TEMPERATURE OF  
 260 DEG C 40 SEC MAXIMUM

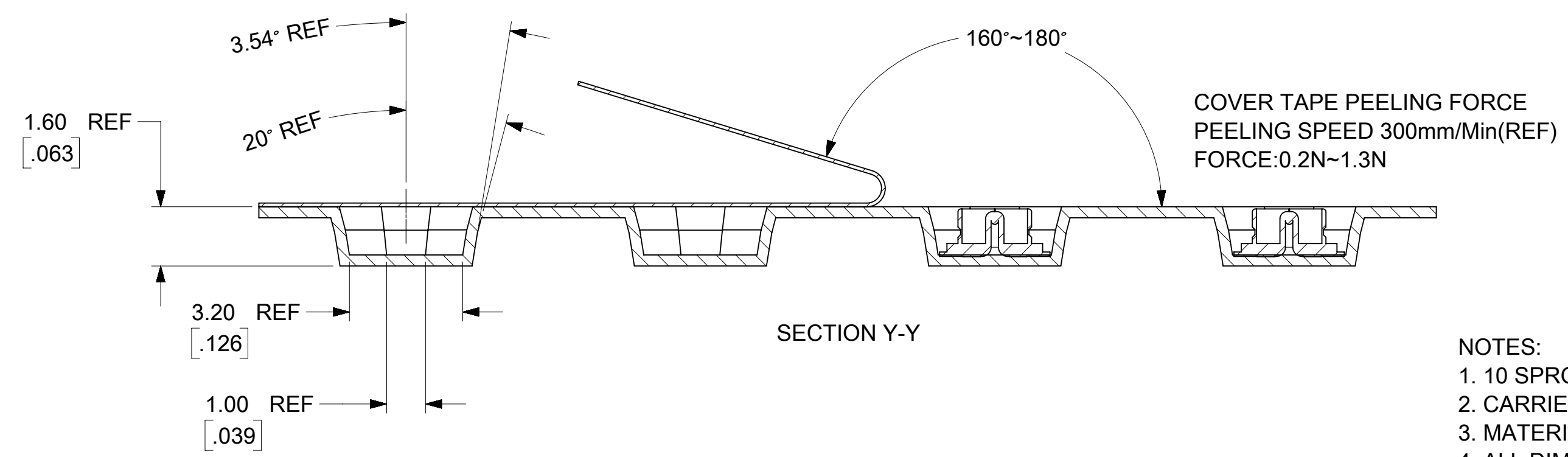
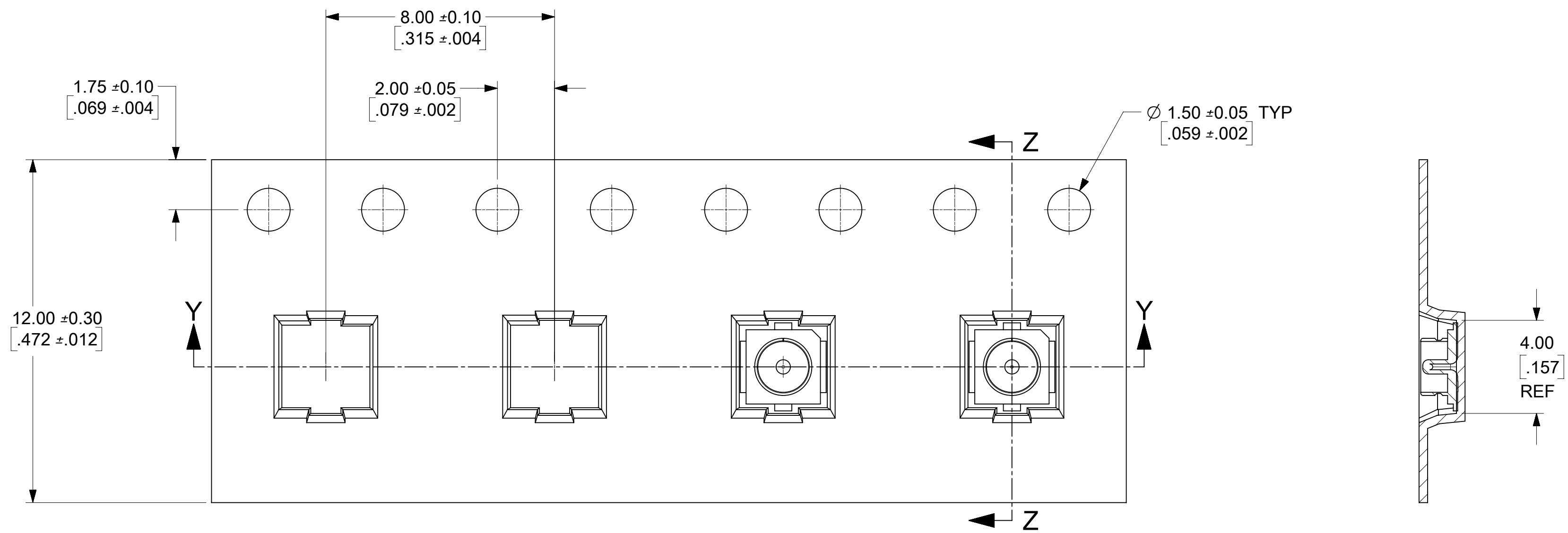
VSWR  
 DC-3GHz: 1.18 MAX  
 DC-6GHz: 1.30 MAX



73412-0114	TAPE AND REEL (1K/REEL)
73412-0110	TAPE AND REEL (5K/REEL)
PART NO.	PACKAGING

THIS DRAWING CONTAINS INFORMATION THAT IS PROPRIETARY TO MOLEX ELECTRONIC TECHNOLOGIES, LLC AND SHOULD NOT BE USED WITHOUT WRITTEN PERMISSION		CURRENT REV DESC: OBSOLETE P/N		<b>molex</b>	
DIMENSION UNITS	SCALE	EC NO: 631031			
MM/INCH	NTS	DRWN: YPUTTUR 2019/12/18		MCRF RECEPTACLE VERTICAL MCRF-J	
GENERAL TOLERANCES (UNLESS SPECIFIED)		CHK'D: GGA 2020/02/06			
ANGULAR TOL	± 2.0°	APPR: GGA 2020/02/06		PRODUCT CUSTOMER DRAWING	
4 PLACES	±	INITIAL REVISION:			
3 PLACES	±	DRWN: DARRY 2003/1/27		DOCUMENT NUMBER	
2 PLACES	± 0.25	APPR: MHUANG 2010/11/28			
1 PLACE	± 0.13	DRAWING		DOC TYPE DOC PART REVISION	
0 PLACES	±	SERIES			
DRAFT WHERE APPLICABLE MUST REMAIN WITHIN DIMENSIONS		THIRD ANGLE PROJECTION		MATERIAL NUMBER	
		DRAWING			
		C-SIZE		GENERAL MARKET	
		73412			
				1 OF 3	

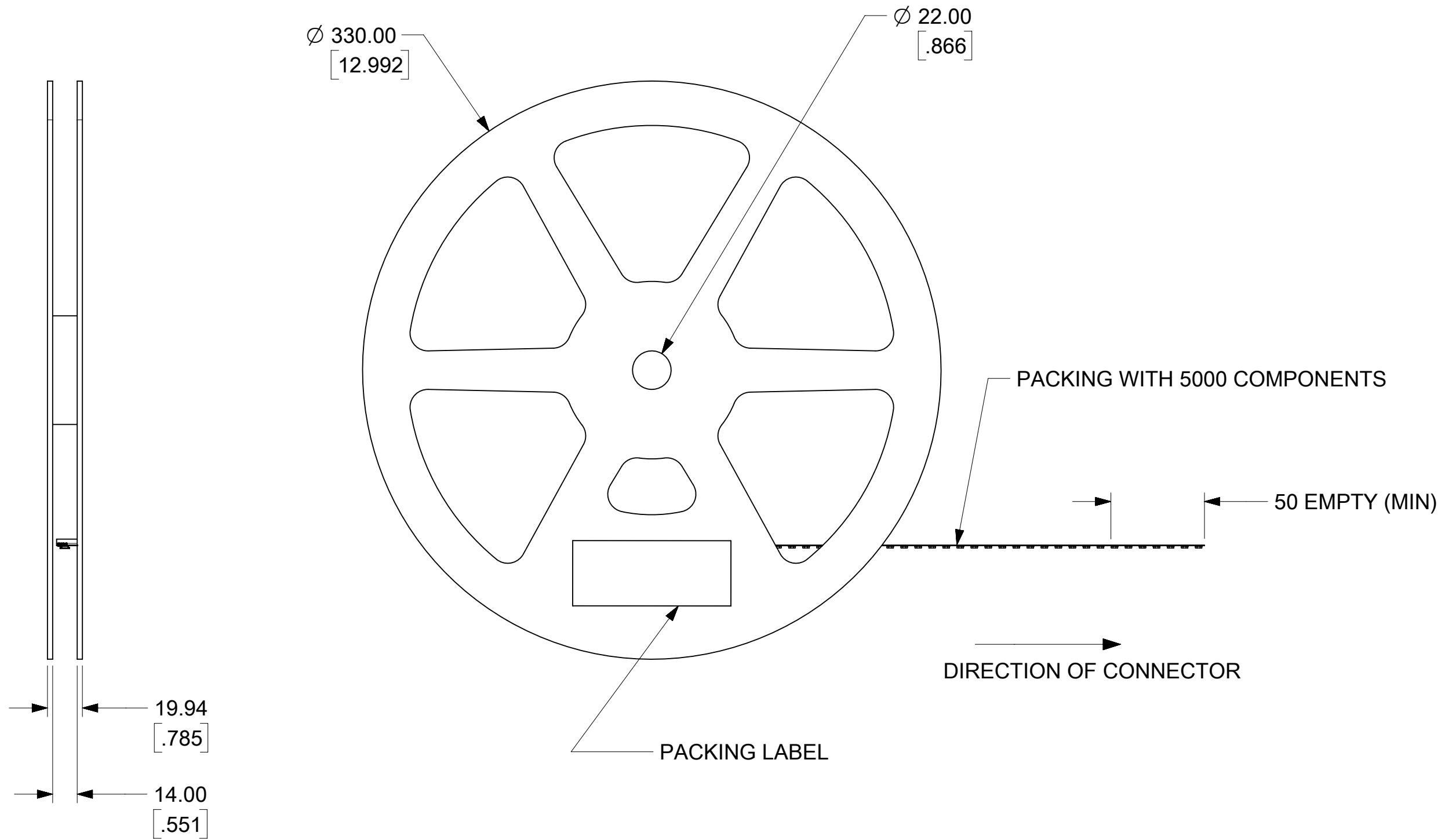
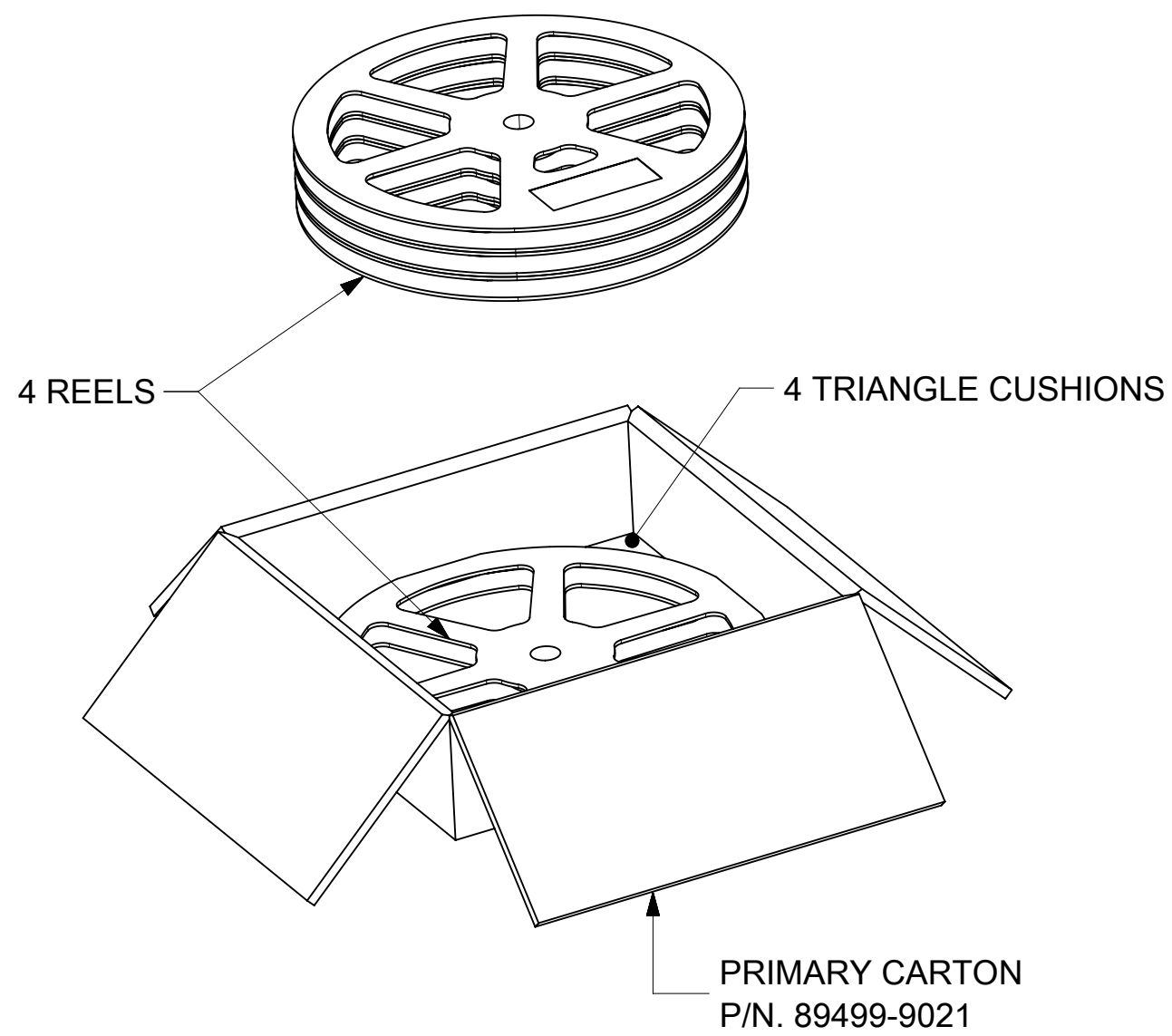
PS-73598-0210	PROD SPEC
SPECIFICATION	DESCRIPTION
DOCUMENT STATUS	P1
RELEASE DATE	2020/02/06 11:19:17



COVER TAPE PEELING FORCE  
 PEELING SPEED 300mm/Min(REF)  
 FORCE:0.2N~1.3N

- NOTES:
- 10 SPROCKET HOLE PITCH CUMULATIVE TOLERANCE  $\pm 0.20\text{mm}$
  - CARRIER CAMBER IS WITH 1mm IN 250mm
  - MATERIAL : TRANSPARENT POLYSTYRENE
  - ALL DIMENSIONS MEET EIA-481-1 REQUIREMENT
  - COMPONENT LOAD PER 13" REEL (5,000 PCS),  
COMPONENT LOAD PER 7" REEL (1,000 PCS),

THIS DRAWING CONTAINS INFORMATION THAT IS PROPRIETARY TO MOLEX ELECTRONIC TECHNOLOGIES, LLC AND SHOULD NOT BE USED WITHOUT WRITTEN PERMISSION									
DIMENSION UNITS		SCALE		CURRENT REV DESC: OBSOLETE P/N					
MM/INCH		NTS		<b>molex</b> MCRF RECEPTACLE VERTICAL MCRF-J PRODUCT CUSTOMER DRAWING					
GENERAL TOLERANCES (UNLESS SPECIFIED)									
ANGULAR TOL $\pm 2.0^\circ$									
4 PLACES $\pm$									
3 PLACES $\pm$									
2 PLACES $\pm 0.25$				EC NO: 631031		2019/12/18		DOCUMENT NUMBER <b>SD-73412-011</b>	
1 PLACE $\pm 0.13$				DRWN: YPUTTUR		2020/02/06			
0 PLACES $\pm$				CHK'D: GGA		2020/02/06			
DRAFT WHERE APPLICABLE MUST REMAIN WITHIN DIMENSIONS				THIRD ANGLE PROJECTION		DRAWING		SERIES	
				C-SIZE		73412		MATERIAL NUMBER	
								CUSTOMER	
								GENERAL MARKET	
								SHEET NUMBER	
								2 OF 3	



THIS DRAWING CONTAINS INFORMATION THAT IS PROPRIETARY TO MOLEX ELECTRONIC TECHNOLOGIES, LLC AND SHOULD NOT BE USED WITHOUT WRITTEN PERMISSION

DIMENSION UNITS	SCALE	CURRENT REV DESC: OBSOLETE P/N		<b>molex</b>			
MM/INCH	NTS						
GENERAL TOLERANCES (UNLESS SPECIFIED)		EC NO: 631031		MCRF RECEPTACLE VERTICAL MCRF-J			
ANGULAR TOL	± 2.0°	DRWN: YPUTTUR	2019/12/18				
4 PLACES	±	CHK'D: GGA	2020/02/06	PRODUCT CUSTOMER DRAWING			
3 PLACES	±	APPR: GGA	2020/02/06				
2 PLACES	± 0.25	INITIAL REVISION:		DOCUMENT NUMBER			
1 PLACE	± 0.13	DRWN: DARRY	2003/1/27				SD-73412-011
0 PLACES	±	APPR: MHUANG	2010/11/28	DOC TYPE	DOC PART	REVISION	
DRAFT WHERE APPLICABLE MUST REMAIN WITHIN DIMENSIONS		THIRD ANGLE PROJECTION	DRAWING	SERIES	MATERIAL NUMBER	CUSTOMER	SHEET NUMBER
			C-SIZE	73412	SEE TABLE	GENERAL MARKET	3 OF 3