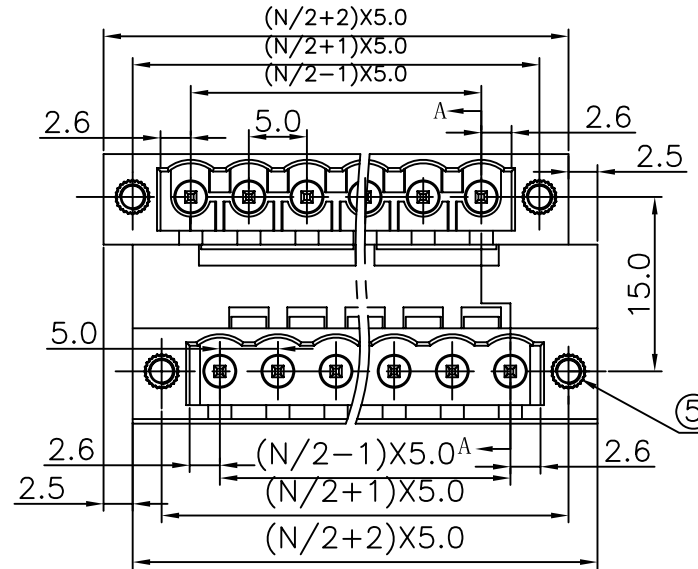


Notes:

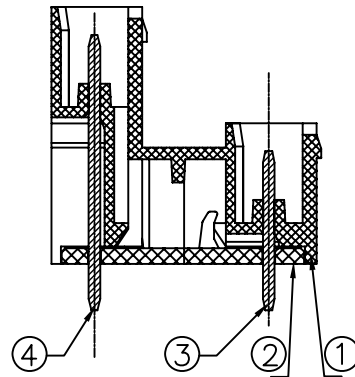
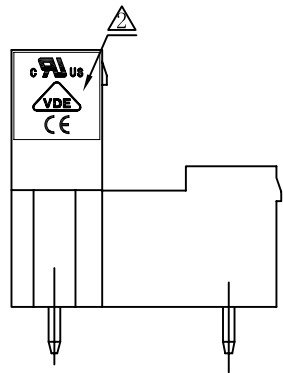
1. Pitch: 5.0mm , Poles: One-block for 4-24P
Inter locking for 24-48P
2. Rated voltage/current: UL 300V/15A
VDE 320V/10A
3. Operation temperatures: -40°C ~ +105°C
4. Withstanding Voltage: AC2000V/1Min
5. Insulation Resistance: 5000MΩ / DC1000V
6. Undimensioned Tolerances:

Pitch range in mm		Nominal dimension range in mm						—	
	over 6	over 10		over 30	over 60	over 100	over 150	∩	
to	to 10	to 24	to 30	to 60	to 100	to 150		∇	
	±0.10	±0.15	±0.25	±0.2	±0.3	±0.5	±0.7	±1.0	0.05/10

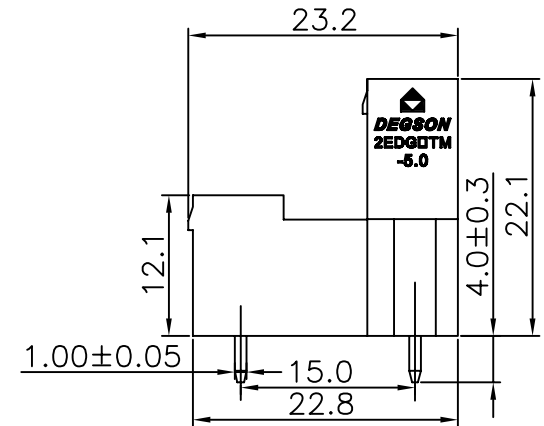
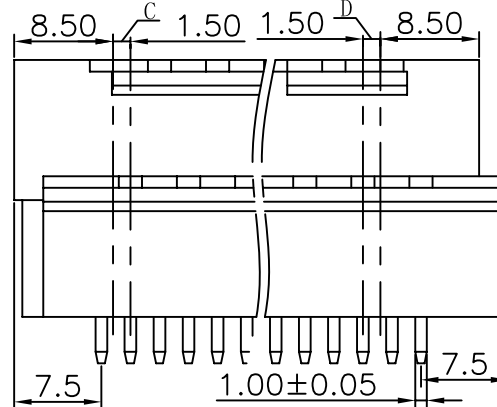
REVISION RECORD					
REV	ECO	DESCRIPTION	DRFT	DATE	
△		品名、料号增加环保标示“(H)”	LJH	12/11/07*	
△		增加VDE刻字	Zengy	08/30/10*	
△	0-0310	根据实物更新图面	Golden	09/20/10*	



注: C D两处与插头卡勾相配合必须要有凸台, 其余凹槽凸台均不作管控。
(The C and D section must match the contact point with bump.
The rest of groove and bulge are undefined.)



SECTION A-A



ITEM	NAME OF PART	NO. OF PART	Q'TY	MATERIAL	NOTES
1	2EDGVTM-5.0 housing (Right foot)	1074A1Y (N/2 & N/2 + 1) C (H)	1	PA66	>24P
	2EDGVTM-5.0 housing (Left foot)	1074A1Y (N/2 & N/2 - 1) B (H)	1	PA66	
	2EDGVTM-5.0 housing	1074A1YXXXA (H)	1	PA66	≤24P

MM (INCH)	DFTO Apple	DATE 06/18/06	宁波高正电子有限公司 DEGSON ELECTRONICS CO., LTD
TOLERANCES EXCEPT AS NOTED	CHKD	DATE	
	MFO	DATE	
	APPVL	DATE	
MM	MATERIAL :		NAME
.0 ±			2EDGVTM-5.0-XXP-1Y-00A (H)
.00 ±			DRAWING NO. 2EDGVTM-5.0-E01
.000 ±			/PART NO.
ANGLES ± 1°	G.E :		SIZE A3
	FINISH :		REV T3
THIRD ANGLE PROJECTION	SCALE :		09/20/10*
	DO NOT SCALE DRAWING		SHEET 1 OF 1

ITEM	NAME OF PART	NO. OF PART	Q'TY	MATERIAL	NOTES
5	2EDG Nut	S000000040 (H)	4	Brass	
4	2EDGVT-long pin	1032B00010 (H)	XX/2	Brass	SnCe
3	2EDGV-pin (1*13.7)	1007B000030 (H)	XX/2	Brass	SnCe
2	2EDGVT-5.0-Cover	1032C0Y (N/2 & N/2 + 1) A (H)	1	PA66	>24P
	2EDGVT-5.0-Cover	1032C0Y (N/2 & N/2 - 1) A (H)	1	PA66	
	2EDGVT-5.0-Cover	1032C0YXXXA (H)	1	PA66	