

## Data sheet

Commercial Art.No.: 96.072.4053.0

connector RST20i7S S1 ZR1 GL

RST20i7 Connector, straight, number of poles 7, male, connection type screw connection, rated voltage 250 V / 400 V, rated current 16 A, cable diameter 6 - 10 mm, color of coding/ contact carrier light grey



Commercial Art.No.	96.072.4053.0
EAN	4049088424045
Order Unit	1

certificates / approvals



LR

RINA



## Technical data

### general

rated current	16 A
rated voltage	250 V / 400 V
rated impulse voltage	4 kV
strain relief	yes
pollution degree	3
lockable	self-locking (unlocking by tool)
color of coding/ contact carrier	light grey
marking of poles	1, 2, 3, 4/N, 5, 6, PE
color of housing inclusive strain relief	light grey

### connection data

cable diameter max.	10 mm
cable diameter min.	6 mm
connection cross section solid mm <sup>2</sup> max.	1.5 mm <sup>2</sup>
connection cross section solid mm <sup>2</sup> min.	0.2 mm <sup>2</sup>
connection cross section fine stranded mm <sup>2</sup> max.	1.5 mm <sup>2</sup>
connection cross section fine stranded mm <sup>2</sup> min.	0.2 mm <sup>2</sup>
terminations per pole	1
sheath strip length	25 mm
wire strip length	8 mm

### model

model	male
connection type	screw connection
Degree of protection (IP)	IP66/68 (3m;2h) /IP69

**material**

housing material	polyamide
halogen free	yes
contact material	CuZn
fire load	0.318 kWh
insulation components continuous temperature	100 °C
surface finish	silver-plated

**dimensions**

length	80 mm
width	34.6 mm
height	34.6 mm

**note**

note	3 poles max. 20A, 4 poles max. 5A
------	-----------------------------------

**classification**

ECLASS 11	
ECLASS 8.1	27440605
ETIM 9.0	EC002560
ETIM 8.0	EC002560
ETIM 7.0	EC002560
ETIM 6.0	EC002560
ETIM 5.0	EC002560
ETIM 4.0	EC002560

**product compliance**

ROHS conformity status	compliant/exempted
ROHS exceptions	III-6(c)
REACH-SVHC conformity status	Duty-To-Declare
REACH-SVHC substances	Lead
REACH-SVHC CAS numbers	7439-92-1

**Accessories**

Commercial Art.No.:	Article-type description:	Description:
99.591.0000.7	cover for male connector SW	RST20i7/6 cover piece, for covering unused male connectors, with fastening belt, color black
Z5.569.5353.1	cover for male connector SW	RST20i7/6 cover piece, for covering unused male connectors, color black

**Fits with**

Commercial Art.No.:	Article-type description:	Description:
96.071.4053.0	connector RST20i7S B1 ZR1 GL	RST20i7 Connector, straight, number of poles 7, female, connection type screw connection, rated voltage 250 V / 400 V, rated current 16 A, cable diameter 6 - 10 mm, color of coding/ contact carrier light grey

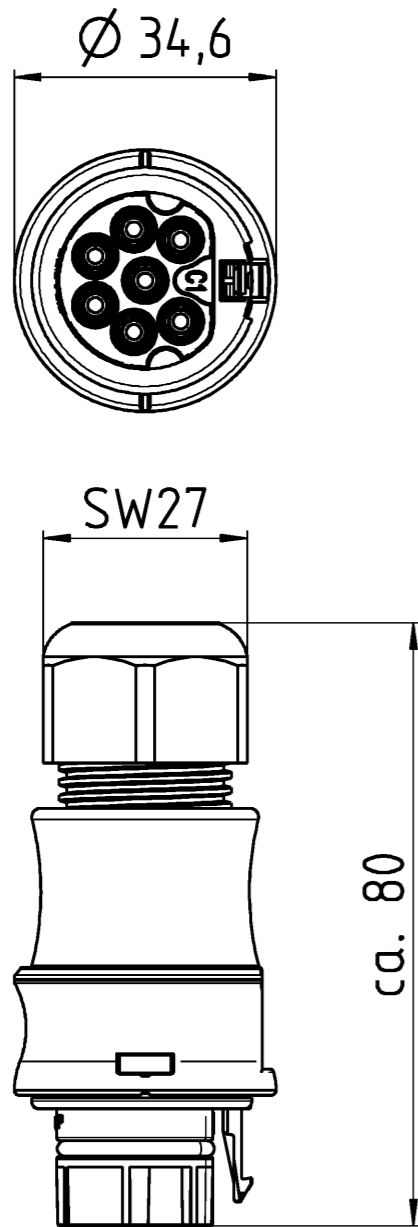
9L.071.4053.0	connector RST20i7S 11 ZR1 GL	RST20i7 Connector, straight, number of poles 7, female, connection type screw connection, rated voltage 250 V / 400 V, rated current 16 A, cable diameter 6 - 10 mm, longitudinal sealing yes, color of coding/ contact carrier light grey
96.073.4053.0	connector RST20i7S B1 YR1 GL	RST20i7 Connector, angled 90°, number of poles 7, female, connection type screw connection, rated voltage 250 V / 400 V, rated current 20 A, cable diameter 6 - 10 mm, color of coding/ contact carrier light grey
9L.073.4053.0	connector RST20i7S 11 YR1 GL	RST20i7 Connector, angled 90°, number of poles 7, female, connection type screw connection, rated voltage 250 V / 400 V, rated current 20 A, cable diameter 6 - 10 mm, longitudinal sealing yes, color of coding/ contact carrier light grey
96.071.6053.0	device connector RST20i7S B1 M00V GL	RST20i7 Device connector, modular, straight, M20, number of poles 7, model female, connection type screw connection, rated voltage 250 V / 400 V, rated current 20 A, color of coding/ contact carrier light grey
9L.071.6053.0	device connector RST20i7S 11 M00V GL	RST20i7 Device connector, modular, straight, M20, number of poles 7, model female, connection type screw connection, rated voltage 250 V / 400 V, rated current 20 A, longitudinal sealing yes, color of coding/ contact carrier light grey
96.071.6153.0	device connector RST20i7S B1 M03V GL	RST20i7 Device connector, modular, straight, M16, number of poles 7, model female, connection type screw connection, rated voltage 250 V / 400 V, rated current 20 A, color of coding/ contact carrier light grey
9L.071.6153.0	device connector RST20i7S 11 M03V GL	RST20i7 Device connector, modular, straight, M16, number of poles 7, model female, connection type screw connection, rated voltage 250 V / 400 V, rated current 20 A, longitudinal sealing yes, color of coding/ contact carrier light grey
96.073.6053.0	device connector RST20i7S B1 M90V GL	RST20i7 Device connector, modular, angled 90°, M20, number of poles 7, model female, connection type screw connection, rated voltage 250 V / 400 V, rated current 20 A, color of coding/ contact carrier light grey
96.073.6253.0	device connector RST20i7S B1 M90V GL	RST20i7 Device connector, modular, angled 90°, M25, number of poles 7, model female, connection type screw connection, rated voltage 250 V / 400 V, rated current 20 A, color of coding/ contact carrier light grey
96.075.6153.0	device connector RST20i7S B1 M13V GL	RST20i7 Device connector, modular, angled 7°, M16, number of poles 7, model female, connection type screw connection, rated voltage 250 V / 400 V, rated current 20 A, color of coding/ contact carrier light grey
96.071.6253.0	device connector RST20i7S B1 M01V GL	RST20i7 Device connector, modular, straight, M25, number of poles 7, model female, connection type screw connection, rated voltage 250 V / 400 V, rated current 20 A, color of coding/ contact carrier light grey
9L.071.6253.0	device connector RST20i7S 11 M01V GL	RST20i7 Device connector, modular, straight, M25, number of poles 7, model female, connection type screw connection, rated voltage 250 V / 400 V, rated current 20 A, longitudinal sealing yes, color of coding/ contact carrier light grey
99.657.0000.7	device connector RST20i7S B1 M02V GL	RST20i7 Device connector, modular, straight, M32, number of poles 7, model female, connection type screw connection, rated voltage 250 V / 400 V, rated current 20 A, color of coding/ contact carrier light grey

A  
Weitergabe sowie Vervielfältigung dieses Dokuments, Verwertung und Mitteilung seines Inhalts sind verboten, soweit nicht ausdrücklich gestattet. The reproduction, distribution and utilization of this document as well as the communication of its contents to others without express authorization is prohibited.

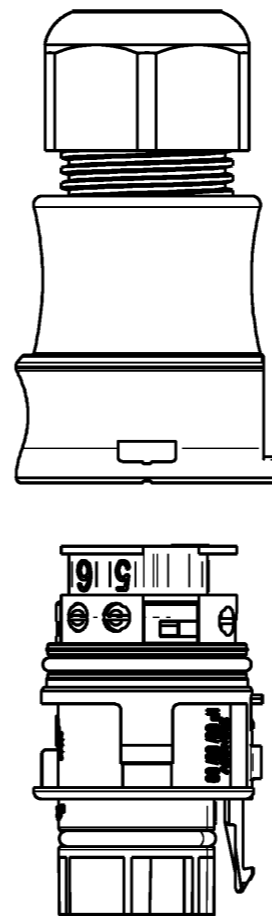
B  
These dimensions will be especially checked at delivery  
Only inspection dimensions  
With /E marked dimensions are only valid for internal use

C  
Diese Maße werden bei Abnahme besonders geprüft  
Ausschließlich Prüfmaße  
Mit /E gekennzeichnete Maße sind nur für interne Zwecke gültig

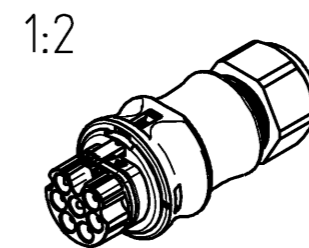
F



Auslieferungszustand /delivery status



Teile-Nr./ Part no.	Typ/ Type	Kodierung/ coding
96.072.4053.0	RST20I7S S1 ZR1 GL	
96.072.4053.1	RST20I7S S1 ZR1 SW	
96.072.4053.9	RST20I7S S1 ZR1 BL07	
96.062.4053.6	RST20I6S S1 ZR1 TB04	
96.072.4053.6	RST20I7S S1 ZR1 TB04	



● = Pol verschlossen /pole closed

Tolerierung Size ISO 14405 (E) / Tolerance system Size ISO 14405 (E). (This ISO-standard describes the envelope principle. According to the envelope principle the deviations of form and parallelism are limited by the size tolerances).		ja/yes <input checked="" type="checkbox"/> Stoffverbots- und Deklarationsliste nach WN 5020.010 ist einzuhalten. Conformity with Wieland document WN 5020.010 e (list of prohibited / declarable hazardous substances) to be declared!	
Freitoleranz nach General tolerance		CAD - Zeichnung, keine manuellen Änderungen CAD - drawing, no manual modifications allowed	1. Verwendung: First Use:
Blatt: 1 von 1 Sheet: 1 of 1			
Werkstoff / Material		Tag/Date	Name
Maßstab / Scale		gezeichnet/drawn	Hollet
1:1		geprüft/checked	
Vol. mm <sup>3</sup> Dfl./Srf. mm <sup>2</sup>		Normgepr. /Stand. check	
Ersatz für / Replacement for:		Zeichnung Nr. / Drawing No.	
		96.072.4053.0 13K a	
Maße in mm / Dimensions are in mm			
Type		Benennung/Title	
a 14.05.2018 / Index Datum / Blatt Date / Sheet		RST20I ST_SCHRAUB	
Änderung / Revision		ohne Drahtschutz male, screw connection without wire protection	
www.wieland-electric.com			