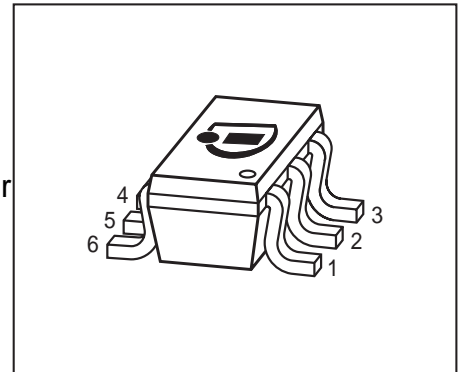


## LED Driver

### Features

- LED drive current of 50mA
- Output current adjustable up to 65mA with external resistor
- Supply voltage up to 40V
- Easy paralleling of drivers to increase current
- Low voltage overhead of 1.4V
- High current accuracy at supply voltage variation
- No EMI
- High power dissipation of 750mW
- Reduced output current at higher temperatures - Negative thermal coefficient of  $-0.2\% / K$
- RoHS compliant (pb-free) small and robust SC-74 package
- Qualified according to AEC Q101



### Applications

- Channel letters for advertising, LED strips for decorative lighting
- Aircraft, train, ship illumination
- Retrofits for general lighting, white goods like refrigerator lighting
- Medical lighting
- Automotive applications like CHMSL and rear combination lights

### General Description

The BCR405U is a cost efficient LED driver to drive low power LED's. The advantages towards resistor biasing are:

- homogenous light output despite varying forward voltages in different LED strings
- homogenous light output of LED's despite voltage drop across long supply lines
- homogenous light output independent from supply voltage variations
- longer lifetime of the LED's due to reduced output current at higher temperatures (negative thermal coefficient)

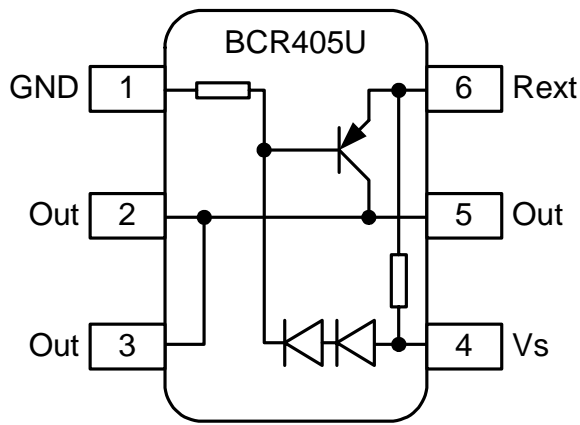
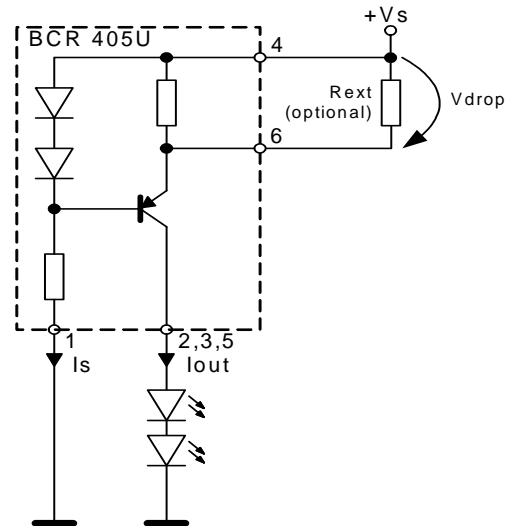
The advantages towards discrete solutions are:

- lower assembly cost
- smaller form factor
- better quality due to less soldering points
- higher output current accuracy due to pretested LED drivers

Dimming is possible by using an external digital transistor at the ground pin.

The BCR405U can be operated at higher supply voltages by putting LED's between the power supply +VS and the power supply pin of the LED driver. You can find further details in the application note AN097.

The BCR405U is a perfect fit for numerous low power LED applications by combining small form factor with low cost. These LED drivers offer several advantages to resistors like significantly higher current control at very low voltage drop ensuring high lifetime of LED's.

**Pin Configuration**

**Typical Application**


Type	Marking	Pin Configuration				Package
BCR405U	L5s	1 = GND	2;3;5 = $I_{out}$	4 = $V_S$	6 = $R_{ext}$	SC74

**Maximum Ratings**

Parameter	Symbol	Value	Unit
Supply voltage	$V_S$	40	V
Output current	$I_{out}$	65	mA
Output voltage	$V_{out}$	38	V
Reverse voltage between all terminals	$V_R$	0.5	
Total power dissipation, $T_S \leq 125\text{ °C}$	$P_{tot}$	750	mW
Junction temperature	$T_j$	150	°C
Storage temperature	$T_{stg}$	-65 ... 150	

**Thermal Resistance**

Parameter	Symbol	Value	Unit
Junction - soldering point <sup>1)</sup>	$R_{thJS}$	50	K/W

<sup>1)</sup>For calculation of  $R_{thJA}$  please refer to Application Note Thermal Resistance

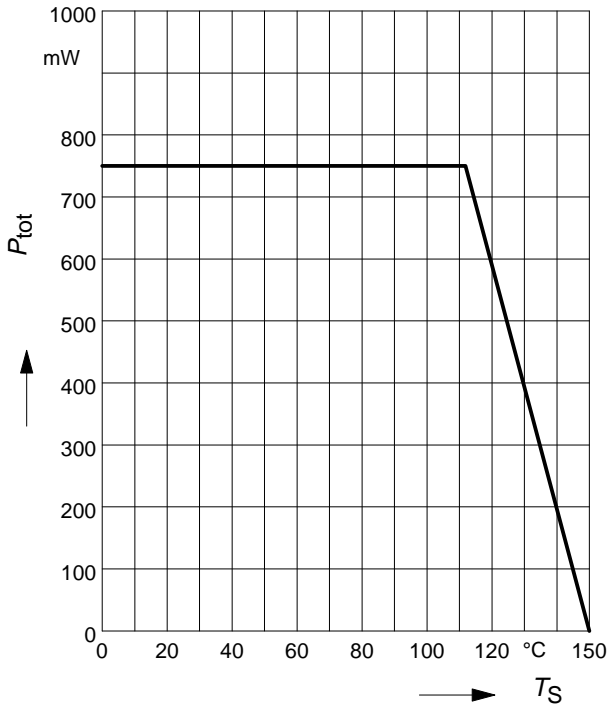
**Electrical Characteristics** at  $T_A=25^\circ\text{C}$ , unless otherwise specified

Parameter	Symbol	Values			Unit
		min.	typ.	max.	
<b>Characteristics</b>					
Collector-emitter breakdown voltage $I_C = 1 \text{ mA}, I_B = 0$	$V_{BR(CEO)}$	40	-	-	V
Supply current $V_S = 10 \text{ V}$	$I_S$	340	420	500	$\mu\text{A}$
DC current gain $I_C = 50 \text{ mA}, V_{CE} = 1 \text{ V}$	$h_{FE}$	100	220	470	-
Internal resistor $I_{Rint} = 50 \text{ mA}$	$R_{int}$	13	17	22	$\Omega$
Output current $V_S = 10 \text{ V}$	$I_{out}$	45	50	55	mA
Voltage drop ( $V_S - V_E$ ) $I_{out} = 50 \text{ mA}$	$V_{drop}$	0.75	0.8	0.85	V

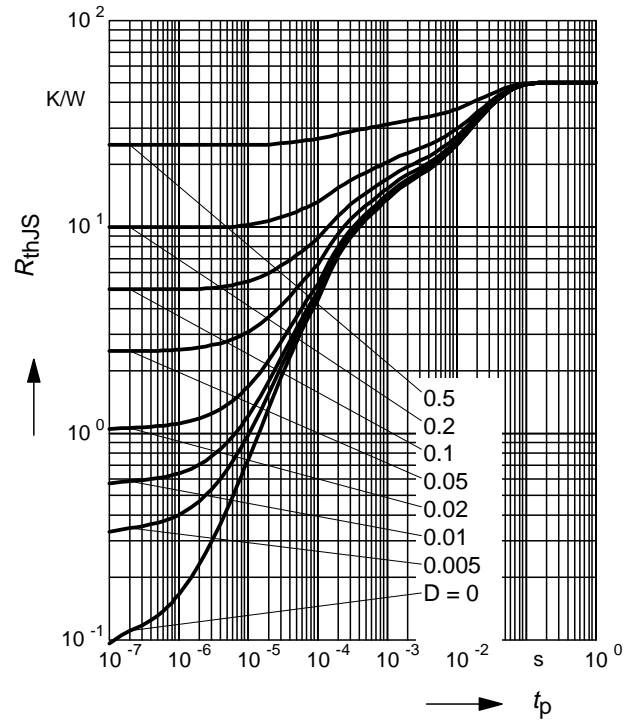
**DC Characteristics with stabilized LED load**

Lowest sufficient battery voltage overhead $I_{out} > 18\text{mA}$	$V_{Smin}$	-	1.4	-	V
Output current change versus $T_A$ $V_S = 10 \text{ V}$	$\Delta I_{out}/I_{out}$	-	-0.15	-	%/K
Output current change versus $V_S$ $V_S = 10 \text{ V}$	$\Delta I_{out}/I_{out}$	-	1	-	%/V

Total power dissipation  $P_{tot} = f(T_S)$

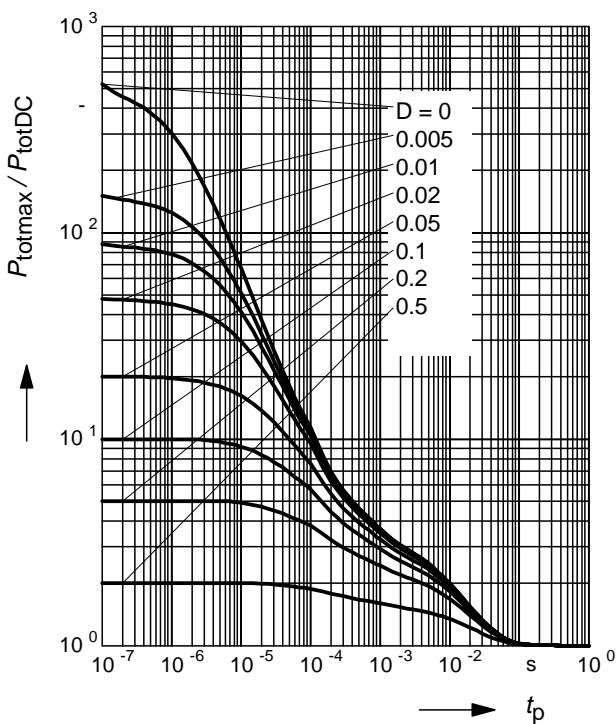


Permissible Pulse Load  $R_{thJS} = f(t_p)$



Permissible Pulse Load

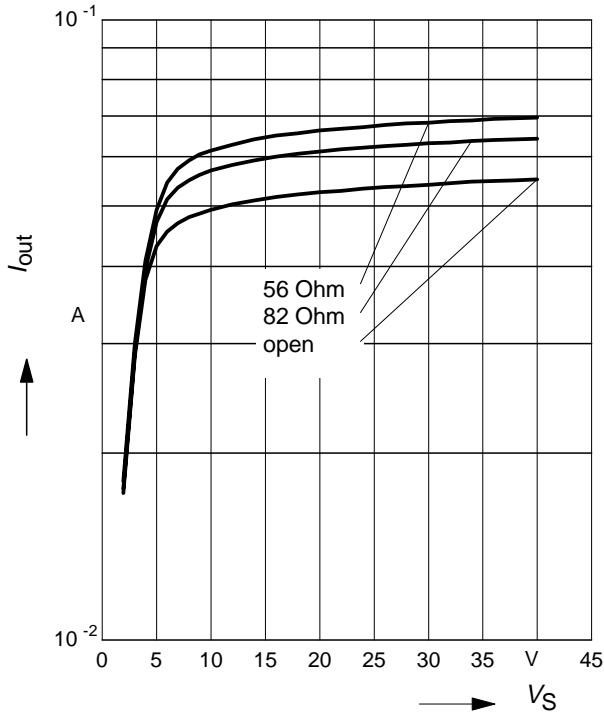
$$P_{totmax} / P_{totDC} = f(t_p)$$



**Output current versus supply voltage**

$I_{out} = f(V_S); R_{ext} = \text{Parameter}$

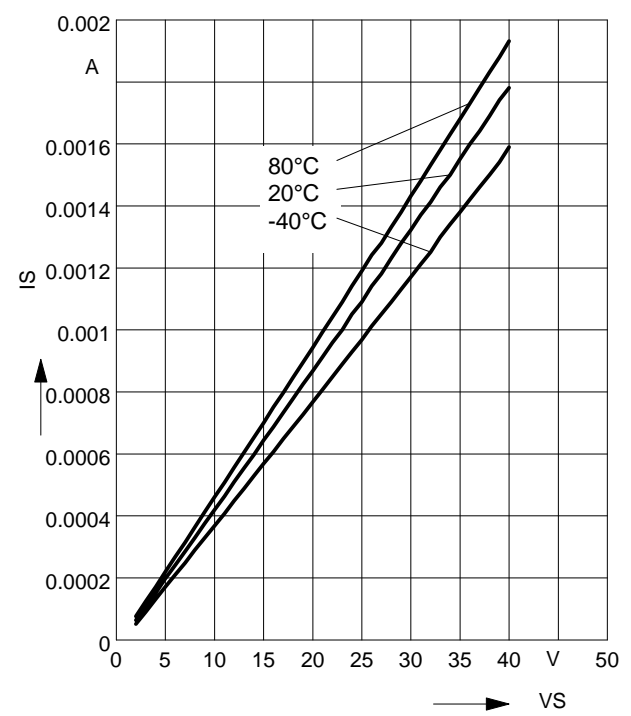
$V_S - V_{out} = 1.4 \text{ V}$



**Supply current versus supply voltage**

$I_S = f(V_S)$

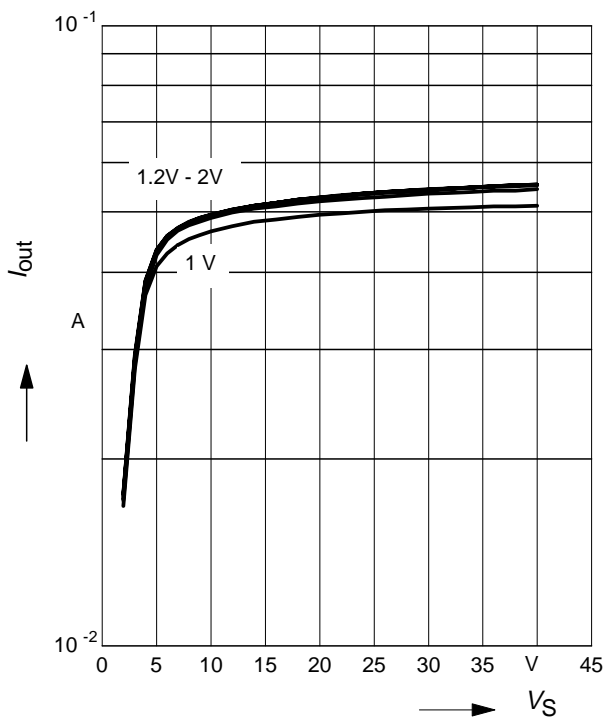
$T_A = \text{Parameter}$



**Output current versus supply voltage**

$I_{out} = f(V_S), T_A = 20^\circ\text{C}$

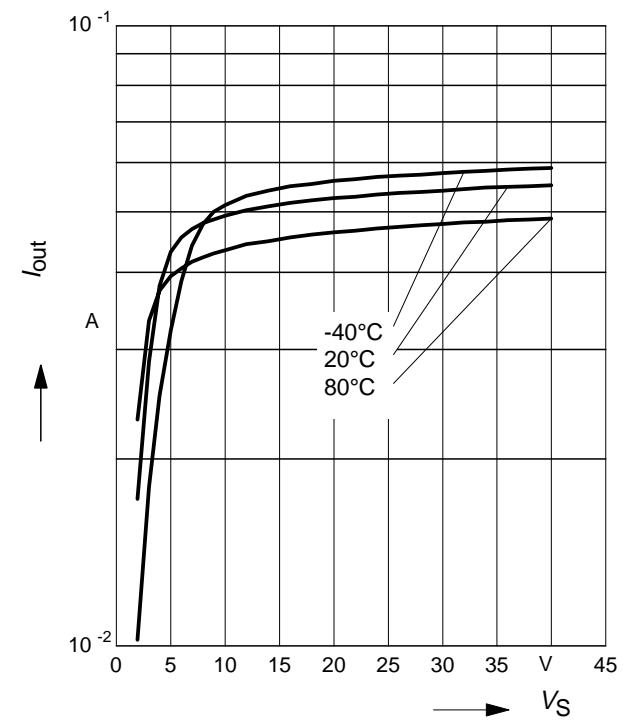
$V_S - V_{out}$  as Parameter



**Output current versus supply voltage**

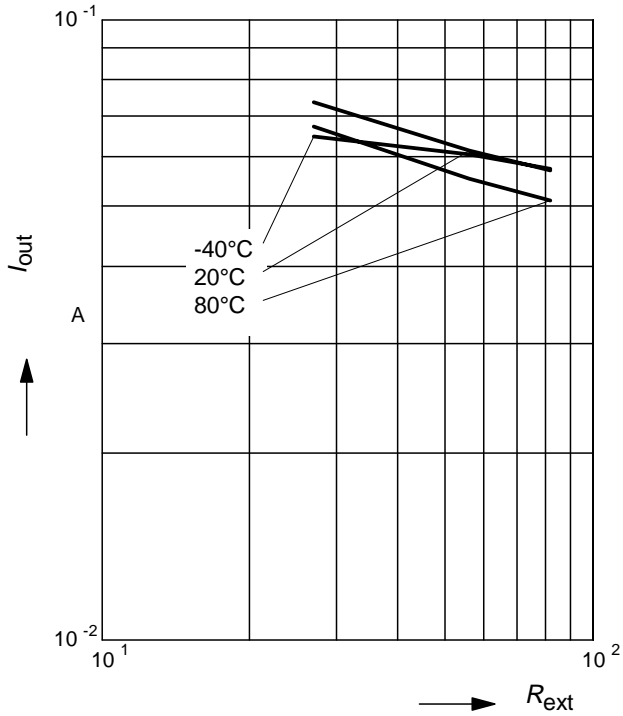
$I_{out} = f(V_S), V_S - V_{out} = 1.4 \text{ V}$

$T_A = \text{Parameter}$



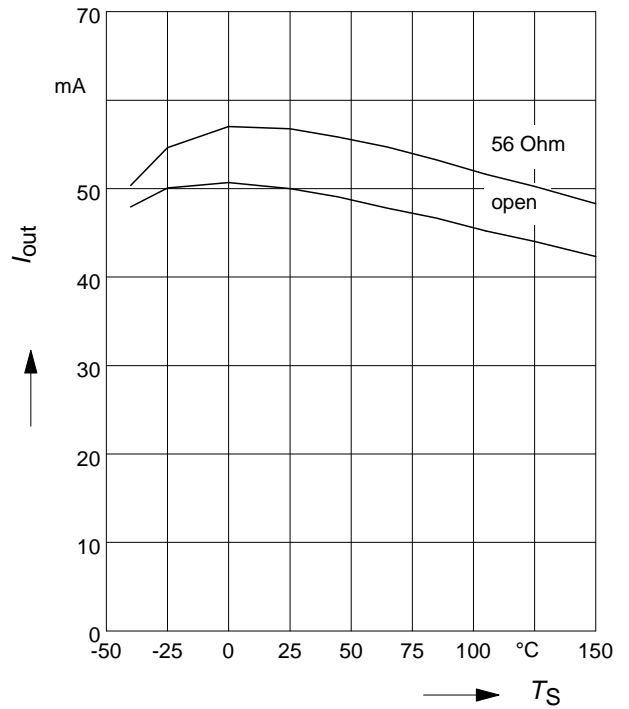
**Output current versus external resistor**

$I_{out} = (R_{ext}), V_S = 10V, V_S - V_{out} = 1.4 V$   
 $T_A = \text{Parameter}$



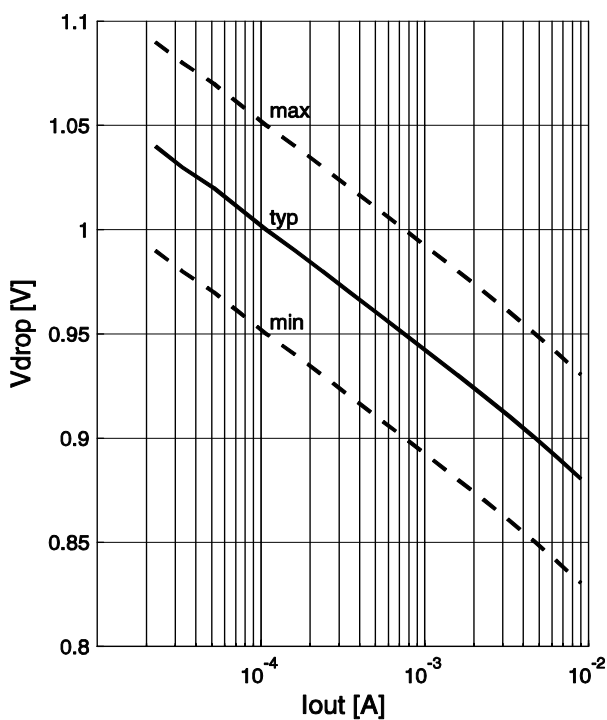
**Output current**

$I_{out}(T_S), V_S = 10V, V_S - V_{out} = 1.4 V$   
 $R_{EXT} = \text{Parameter}$



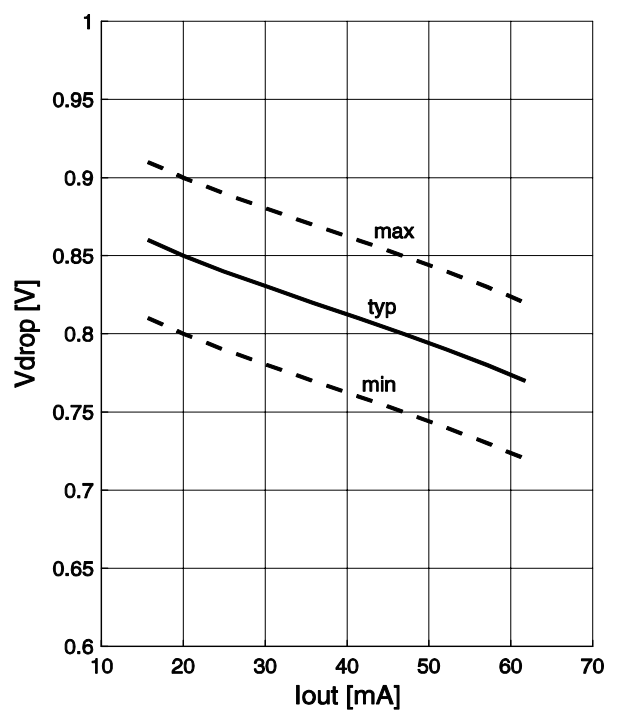
**Reference Voltage (Vdrop)**

versus  $I_{out} = 10 \mu A \dots 10 \text{ mA}$



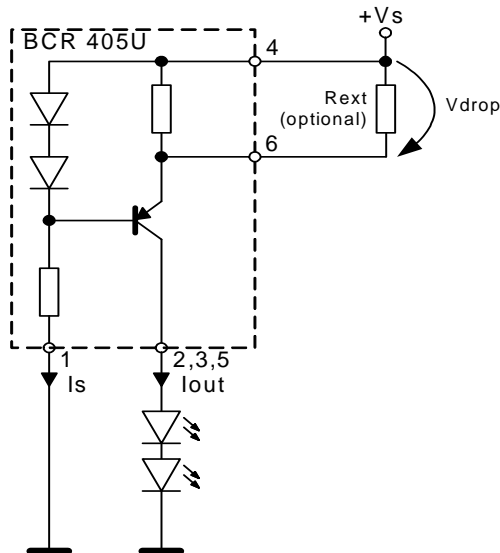
**Reference Voltage (Vdrop)**

versus  $I_{out} = 10 \text{ mA} \dots 65 \text{ mA}$

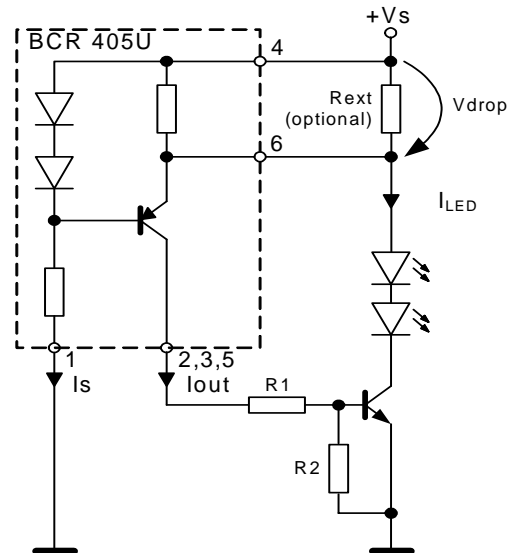


**Application circuit:**

Stand alone current source


**Application circuit:**

Boost mode current source with external power transistor


**Application hints**

BCR405U serves as an easy to use constant current source for LEDs. In stand alone application an external resistor can be connected to adjust the current from 50 mA to 65 mA. Rext can be determined by using the diagram 'Output current versus external resistor', or by referring to diagram 'Reference voltage versus output current'. Look for your desired output current on the x axis and read out the corresponding Vdrop. Calculate Rext:

$$R_{ext} = V_{drop} / (I_{out} - (V_{drop}/R_{int}))$$

Please take into account that the resulting output currents will be slightly lower due to the self heating of the component and the negative thermal coefficient.

In boost mode configuration the LED current can be extended to drive high power LEDs. Select the power transistor according the power dissipation and output current requirements. (e.g. BC817SU or BCX68-25, etc.) Dimension R2 to reduce the transistor current transfer ratio to 20 ... 50. For  $I_{LED} / I_{out} = 50$  e.g.  $I_{LED} = 350$  mA,  $I_{out}$  is 7 mA.

$$R2 = V_{beON} / I_{out}$$

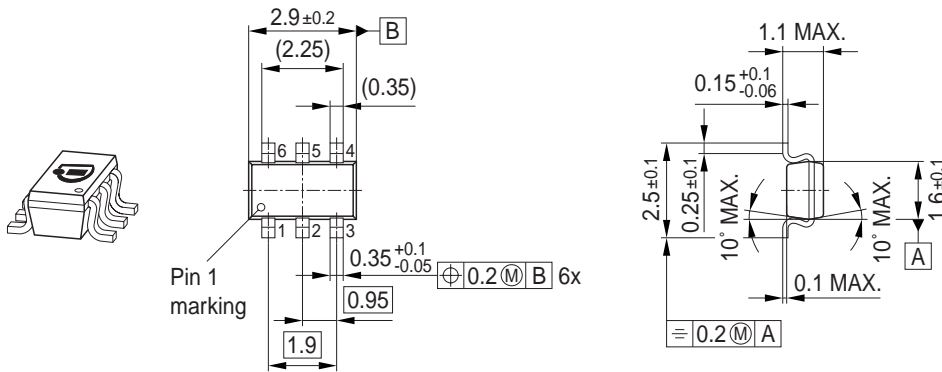
Dimension R1 for minimum supply voltage condition:

$$R1 = (V_{smin} - 1.4V - V_{beON}) / I_{out}$$

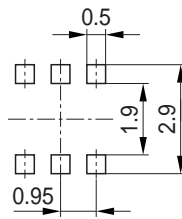
Please visit our web site for application notes: [www.infineon.com/lowcostleddriver](http://www.infineon.com/lowcostleddriver)

- AN077 gives hints to thermal design
- AN097 helps in case of high supply voltages
- AN101 gives an overview to LED biasing

Package Outline

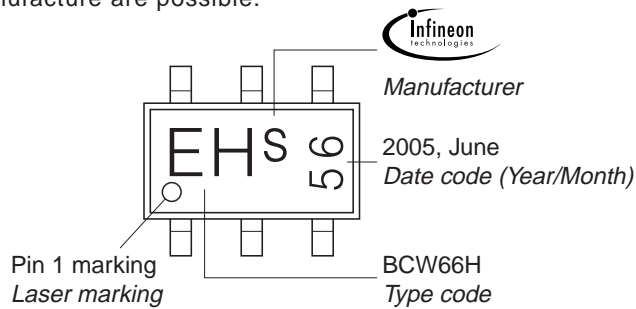


Foot Print



Marking Layout (Example)

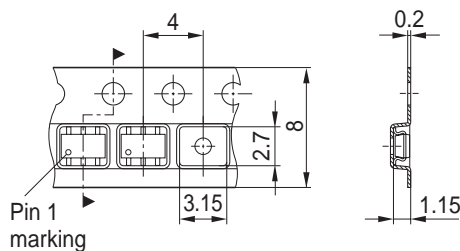
Small variations in positioning of Date code, Type code and Manufacture are possible.



Standard Packing

Reel  $\varnothing$ 180 mm = 3.000 Pieces/Reel  
 Reel  $\varnothing$ 330 mm = 10.000 Pieces/Reel

For symmetric types no defined Pin 1 orientation in reel.





Published by  
Infineon Technologies AG  
81726 München, Germany  
© Infineon Technologies AG 2007.  
All Rights Reserved.

### **Attention please!**

The information given in this data sheet shall in no event be regarded as a guarantee of conditions or characteristics ("Beschaffenheitsgarantie"). With respect to any examples or hints given herein, any typical values stated herein and/or any information regarding the application of the device, Infineon Technologies hereby disclaims any and all warranties and liabilities of any kind, including without limitation warranties of non-infringement of intellectual property rights of any third party.

### **Information**

For further information on technology, delivery terms and conditions and prices please contact your nearest Infineon Technologies Office ([www.infineon.com](http://www.infineon.com)).

### **Warnings**

Due to technical requirements components may contain dangerous substances. For information on the types in question please contact your nearest Infineon Technologies Office.

Infineon Technologies Components may only be used in life-support devices or systems with the express written approval of Infineon Technologies, if a failure of such components can reasonably be expected to cause the failure of that life-support device or system, or to affect the safety or effectiveness of that device or system.

Life support devices or systems are intended to be implanted in the human body, or to support and/or maintain and sustain and/or protect human life. If they fail, it is reasonable to assume that the health of the user or other persons may be endangered.