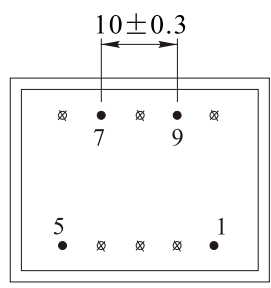
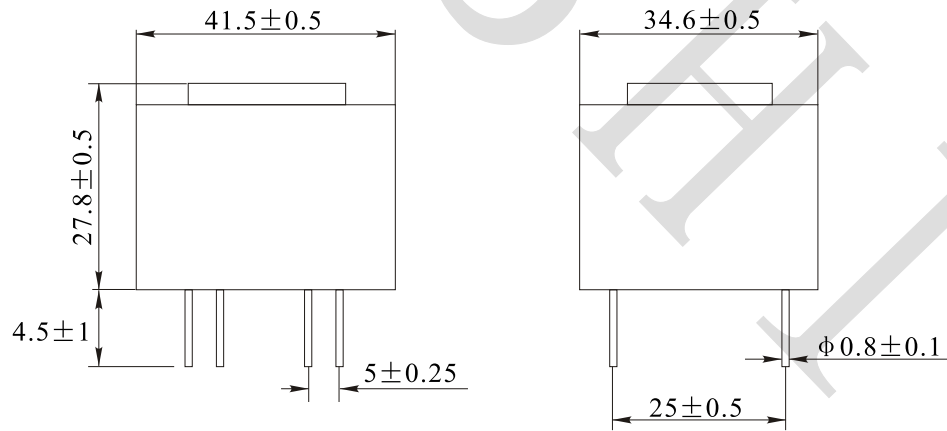


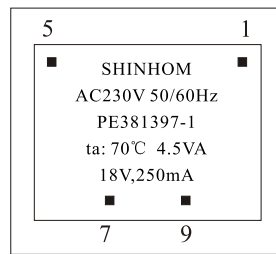
Rev.	Description	Date
A0	New release	2022.09.13

1. PHYSICAL CHARACTERISTICS (mm)



Bottom view

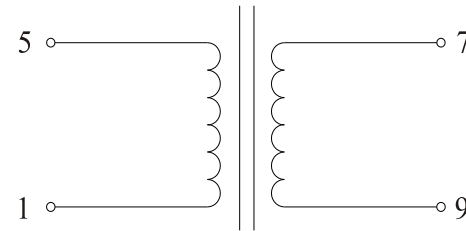
Top marking



NOTES:

Temp 20°C 48%RH
RoHS Compliant

2. ELECTRONICAL SCHEMATIC



3. ELECTRONICAL SPECIFICATIONS

- Pri voltage: 230V, 50Hz
- Sec load voltage: 18.0V ± 5% @ 250mA
- Noload voltage: 25V ± 5%
- Output Power: 4.5VA
- Hi-Pot: 4000V, 50Hz, 1mA, 10S Pri to Sec

Note:

- Solderability: leads shall meet MIL-STD-202, Method 208D for solderability.
- Flammability: UL94V-0
- ASTM oxygen index: >28%

NAME:	Potting Transformer		
CUSTOMER P/N:	BVEI3821195	DATE:	2022-09-13
SHINHOM P/N:	PE381397-1	REV:	A0
DRAWN BY:	CHECKED BY:	APPROVE BY:	