

Data sheet

Commercial Art.No.: 05.544.3329.8

Male contact D 3,6-10,0 QMM AG

Male contact, turned Ø 3,6 mm, 10 mm², AWG 8, Ag



Commercial Art.No.	05.544.3329.8
EAN	4015573450455
Order Unit	100

Technical data

General

Wire strip length	10 mm
Min. conductor cross section flexible wire	10 mm ²
Max. conductor cross section flexible wire	10 mm ²
Min. UL/CSA wire diameter flexible wire	8 AWG
Max. UL/CSA wire diameter flexible wire	8 AWG
Connection type	Crimp
Material	Other
Massive contact	yes
Contact pin diameter	3.6 mm
Inflammability class of insulation material acc. with UL94	Other
Contact resistance	≤ 1 mOhm

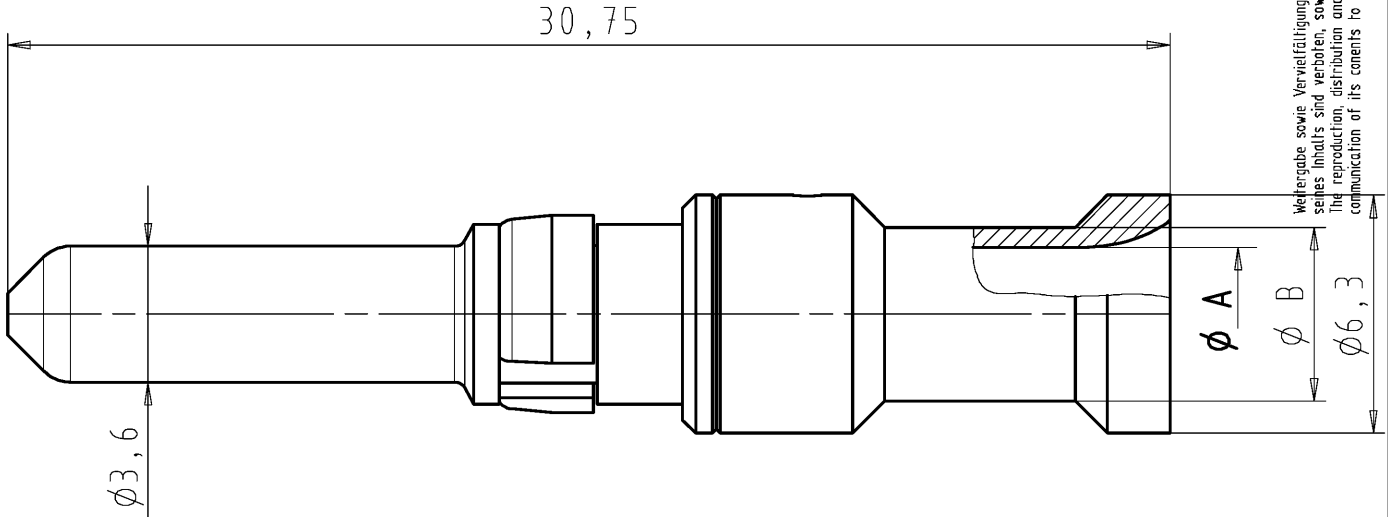
Classification

ECLASS 11	
ECLASS 8.1	27440204
ETIM 7.0	EC000796
ETIM 6.0	EC000796
ETIM 5.0	EC000796
ETIM 4.0	EC000796
ETIM 3.0	EC000796

Product compliance

ROHS conformity status	Compliant/Exempted
ROHS exceptions	III-6(c)
REACH-SVHC conformity status	Duty-To-Declare
REACH-SVHC substances	Lead
REACH-SVHC CAS numbers	7439-92-1

Ausführung/version : 05.544.3229.8



Weitere Daten siehe Katalog
further data see catalog

a	05.544.3329.8	Ni3 Ag3	10 mm ²	4,4	5,9
	05.544.3229.8	Ni3 Ag3			
	05.544.3229.6	Cu3 Sn1	6 mm ²	3,45	4,6
	05.544.3129.8	Ni3 Ag3	4 mm ²	2,85	3,9
	Teile - Nr. part - no.	Oberfläche surface	Querschnitt cross section	∅ A	∅ B

Tolerierung Size ISO 14405(E)/Tolerance system Size ISO 14405(E).
(This ISO-standard describes the envelope principle. According to the envelope principle the deviations of form and parallelism are limited by the size tolerances).

ja/yes Stoffverbots- und Deklarationsliste nach WN 5020.010 ist einzuhalten.
Conformity with Wieland document WN 5020.010 e (list of prohibited / declarable hazardous substances) to be declared!

Freitoleranz nach DIN ISO 2768 - m

CAD - Zeichnung, keine manuellen Änderungen
CAD - drawing, no manual modifications allowed

1.Verwendung:
First Use:

Blatt: 1 von 1
Sheet: 1 of 1

	/		Werkstoff/Material	2006	Tag/Date	Name	Zeichnung Nr./Drawing No.	Index
	/			gezeichnet drawn	30.11.	Treschan		
	/	Maßstab/Scale	x	geprüft checked	-	-	T 05.544.3129.8 01K a	a
	/			Normgepr. Stand. check	-	-		
Maße in mm/Dimensions are in mm								
	/	Vol.	mm ³	OfI./Surf.	mm ²	Ersatz für/Replacement for: -		
	/	Type		Benennung/Title				
a	30.01.2015/			STECKERKONTAKT_KOMPLETT				
Index	Datum / Blatt Date / Sheet	www.wieland-electric.com		male contact - complete crimp contact for ∅3,6 ; 4,0 - 10,0 qmm				
Änderung/Revision								

Weitergabe sowie Vervielfältigung dieses Dokuments, Verwertung und Mitteilung seines Inhalts sind verboten, soweit nicht ausdrücklich gestattet.
The reproduction, distribution and utilization of this document as well as the communication of its contents to others without express authorization is prohibited.