

Data sheet

Commercial Art.No.: 76.354.6435.1

Hood BAS GOT GI 24HM32 50 A1

Hood revos basic made of aluminum, for single locking lever with threaded hole M32 on the top, low version, 24-poles



Commercial Art.No.	76.354.6435.1
EAN	4015573654686
Order Unit	1

Technical data

General

Housing material	aluminum
Color	Grey
Surface	With powder coating
Degree of protection (IP)	Other
UV resistant	yes
Inflammability class of insulation material acc. with UL94	Other
Operating temperature range min.	-40 °C
Operating temperature range max.	120 °C

Model

Construction	24H
Locking mechanism	Single locking lever
Cable entry	Above
Type of cable	Thread
With cable screw gland	No
Thread size M	32
Thread size PG	
Hinged lid	No
EMC-version	No
Length	120 mm
Width	43 mm
Height	76 mm

Classification

ECLASS 11	
-----------	--

ECLASS 8.1	27440202
ETIM 7.0	EC000437
ETIM 6.0	EC000437
ETIM 5.0	EC000437
ETIM 4.0	EC000437
ETIM 3.0	EC000437

Product compliance

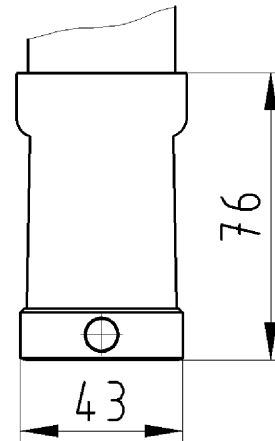
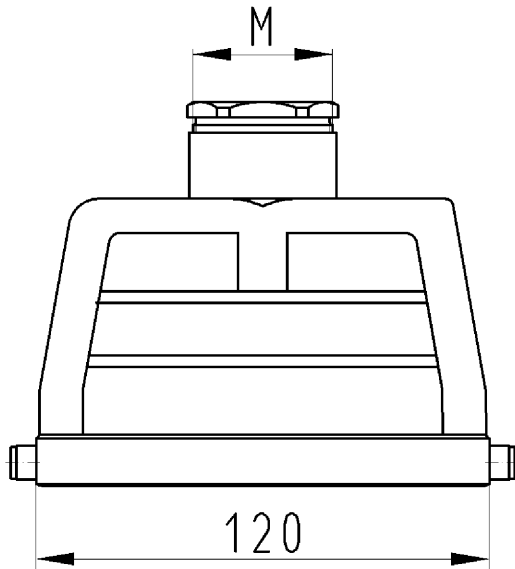
ROHS conformity status	Compliant/Exempted
ROHS exceptions	III-6(a)
REACH-SVHC conformity status	Duty-To-Declare
REACH-SVHC substances	Lead
REACH-SVHC CAS numbers	7439-92-1

Fits with

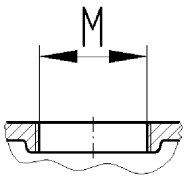
Commercial Art.No.:	Article-type description:	Description:
70.300.2440.0	Female insert BAS BUS 24 2,5 50	Female insert revos basic, 24-poles, rated current: 16A, rated voltage:500V, with tin-plated contacts
70.301.2440.0	Female insert BAS BUS 24 2,5 50 AU	Female insert revos basic, 24-poles, rated current: 16A, rated voltage:500V, with gold-plated contacts
70.302.2440.0	Female insert BAS BUS OD 24 2,5 50	Female insert revos basic, 24-poles, rated current: 16A, rated voltage:500V, with tin-plated contacts
70.310.2440.0	Male insert BAS STS 24 2,5 50	Male insert revos basic, 24-poles, rated current: 16A, rated voltage: 500V, with tin-plated contacts
70.311.2440.0	Male insert BAS STS 24 2,5 50 AU	Male insert revos basic, 24-poles, rated current: 16A, rated voltage: 500V, with gold-plated contacts
70.312.2440.0	Male insert BAS STS OD 24 2,5 50	Male insert revos basic, 24-poles, rated current: 16A, rated voltage: 500V, with tin-plated contacts
70.500.2453.0	Female insert BAS BUF 24 2,5 50	Female insert revos basic, 24-poles, rated current: 16A, rated voltage:500V, with silver-plated contacts
70.510.2453.0	Male insert BAS STF 24 2,5 50	Male insert revos basic, 24-poles, rated current: 16A, rated voltage: 500V, with tin-plated contacts
70.502.2453.0	Female insert BAS BUM 24 2,5 50 AG	Female insert revos basic, 24-poles, rated current: 16A, rated voltage:500V, with silver-plated contacts
70.512.2453.0	Male insert BAS STM 24 2,5 50 AG	Male insert revos basic, 24-poles, rated current: 16A, rated voltage: 500V, with silver-plated contacts
70.700.2458.0	Female insert BAS BUC 24 50	Female insert revos basic, 24-poles, rated current: 16A, rated voltage:500V, with tin-plated contacts
70.710.2458.0	Male insert BAS STC 24 50	Male insert revos basic, 24-poles, rated current: 16A, rated voltage: 500V, with tin-plated contacts
70.800.4656.0	Female insert BAS BUCK 46 50 PC	Female insert revos basic, 46-poles, polycarbonate insert, rated current: 16A, rated voltage: 500V, with gold-plated or silver-plated contacts
70.810.4656.0	Male insert BAS STCK 46 50	Male insert revos basic, 46-poles, rated current: 16A, rated voltage: 500V, with gold-plated or silver-plated contacts
70.400.1040.0	Female insert BAS BUS 10 2,5 64	Female insert revos basic, 10-poles, rated current: 16A, rated voltage:690V, with tin-plated contacts
70.410.1040.0	Male insert BAS STS 10 2,5 64	Male insert revos basic, 10-poles, rated current: 16A, rated voltage: 690V, with tin-plated contacts
70.400.1640.0	Female insert BAS BUS 16 2,5 64	Female insert revos basic, 16-poles, rated current: 16A, rated voltage:690V, with tin-plated contacts

70.410.1640.0	Male insert BAS STS 16 2,5 64	Male insert revos basic, 16-poles, rated current: 16A, rated voltage: 690V, with tin-plated contacts
72.300.2453.0	Female insert BAS BUS 24 2,5 69	Female insert revos basic, 24-poles, rated current: 16A, rated voltage:690V, with tin-plated contacts
72.310.2453.0	Male insert BAS STS 24 2,5 69	Male insert revos basic, 24-poles, rated current: 16A, rated voltage: 690V, with tin-plated contacts
72.700.2458.0	Female insert BAS BUC 24 69	Female insert revos basic, 24-poles, rated current: 16A, rated voltage:690V, with tin-plated contacts
72.710.2458.0	Male insert BAS STC 24 69	Male insert revos basic, 24-poles, rated current: 16A, rated voltage: 690V, with tin-plated contacts
73.800.0853.0	Female insert DD BUC 108 1,5 25	revos DD 108 pole + ground, female insert, 250V/10A, crimp connection
73.810.0853.0	Male insert DD STC 108 1,5 25	revos DD 108 pole + ground, male insert 250V/10A, crimp connection
73.700.6458.0	Female insert HD BUC 64 25	revos BASIC HD 64 pole + ground, female insert 250V/10A, crimp connection
73.710.6458.0	Male insert HD STC 64 25	revos HD 64 pole + ground, male insert 250V/10A, crimp connection
70.405.2453.0	Female insert BAS BUP 24 2,5 50 AG	Female insert revos basic, 24-poles, rated current: 16A, rated voltage:500V, with silver-plated contacts
70.415.2453.0	Male insert BAS STP 24 2,5 50 AG	Male insert revos basic, 24-poles, rated current: 16A, rated voltage: 500V, with silver-plated contacts
72.206.1253.0	Female insert POW BUS 4/8 NL BB AG	
72.216.1253.0	Male insert POW STS 4/8 NL BB AG	

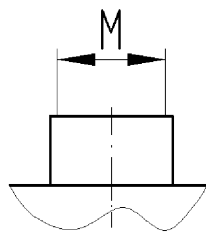
version .0



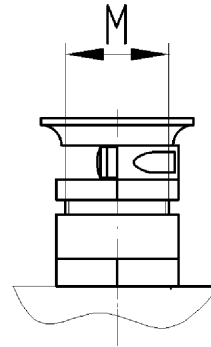
Weitergabe sowie Vervielfältigung dieses Dokuments, Verwertung und Mitteilung seines Inhalts sind verboten, soweit nicht ausdrücklich gestattet. The reproduction, distribution and utilization of this document as well as the communication of its contents to others without express authorization is prohibited.



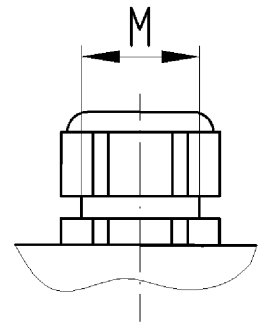
version .1



version .2



version .3



version .5

IP 65

Gehäuseoberteil
76.352/354.6435.0

Zeichnungsnummer
76.352.6435.010W
Gehäuseoberteil

03.01.2008
Hoffmann Angelika
M 1:2