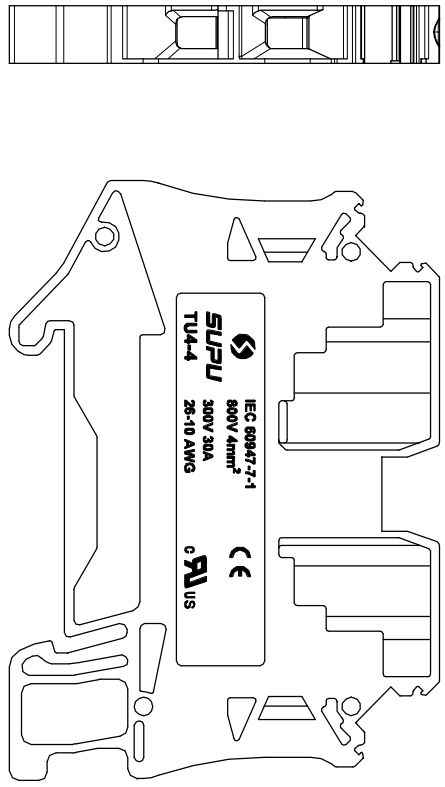
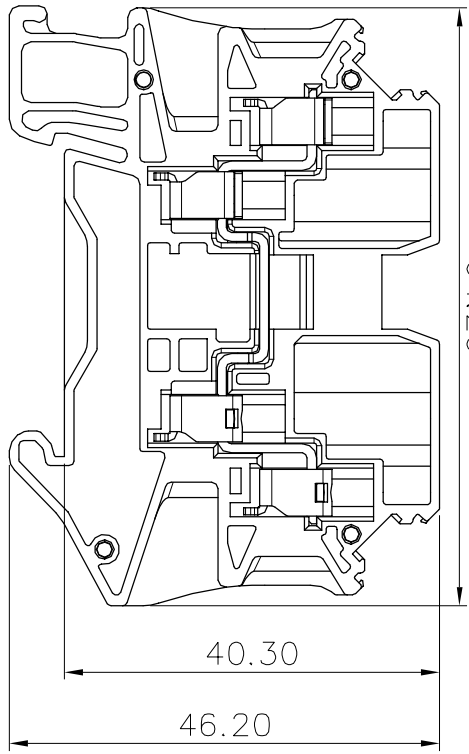
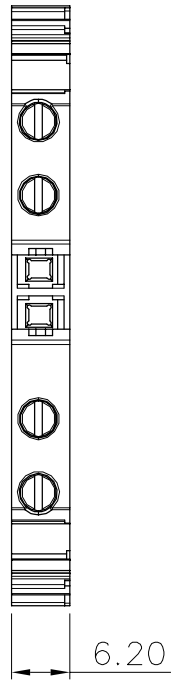


REVISION RECORD			
REV	ECN	DESCRIPTION	DATE

Transmittal, reproduction, dissemination and/or editing of this document as well as utilization of its contents and communication thereof to others without express authorization are prohibited.

未经允许禁止传输、复制、编辑该文档，以及利用其内容进行交流



Connection method:
 1.For solid wire, peeling wire in right length, fix in by rated torque force.
 2.For stranded wire,connect directly after peeling in right length,or furruled on wire and fix in by rated torque force.
 (Attention: torque force should be equable, no explosive power.)

NOTES:

- 1. Conductor cross section : 26~10AWG
- 2. Rated torque : M3 , 5.3lb.in
- 3. Rated Voltage/Current :

Use group	B	C	D
Rated voltage(V)	300	300	600
Rated current(A)	30	30	5

IEC Standard

1. Conductor cross section :	
Wire range(Solid/Stranded)	0.2-4mm ²
Solid	0.2-6mm ²
Stranded	0.2-4mm ²
Stranded with ferrules without plastic sleeve	0.2-4mm ²
Stranded with ferrules with plastic sleeve	0.2-4mm ²

- 2. Rated torque : M3 , 0.5N • m
- 3. Rated Voltage/Current :

Surge voltage category III	
Pollution degree	3
Rated surge voltage(KV)	8
Rated voltage(V)	800
Rated current(A)	32

Material:

Insulator	PA66	UL94 V-0
Cage	Steel	Zn plated
Conductor	Copper alloy	Sn plated
Screw	Steel	Zn plated

General information:

- 1. Dimension shall be interpreted per ASME Y14.5-2009
- 2. Stripping length : 9mm
- 3. Operating temperature: -40°C~+105°C
- 4. RoHS Compliance
- 5. Undimensioned Tolerances:

Pitch Range in mm	Nominal Dimension	Range in mm	Tolerance
Over 6	Over 30	Over 60	Over 100
To 10	To 60	To 100	To 150
Over 10	Over 24	Over 30	Over 60
To 15	To 30	To 60	To 100
Over 15	Over 20	Over 30	Over 60
To 20	To 30	To 60	To 100
Over 20	Over 24	Over 30	Over 60
To 25	To 30	To 60	To 100
Over 25	Over 30	Over 60	Over 100
To 30	To 60	To 100	To 150
Over 30	Over 30	Over 60	Over 100
To 40	To 60	To 100	To 150
Over 40	Over 50	Over 70	Over 100
To 50	To 60	To 100	To 150
Over 50	Over 70	Over 100	Over 150
To 60	To 100	To 150	To 200
Over 60	Over 70	Over 100	Over 150
To 70	To 100	To 150	To 200
Over 70	Over 100	Over 150	Over 200
To 80	To 100	To 150	To 200
Over 80	Over 100	Over 150	Over 200
To 90	To 100	To 150	To 200
Over 90	Over 100	Over 150	Over 200
To 100	To 150	To 200	To 250
Over 100	Over 150	Over 200	Over 250
To 110	To 150	To 200	To 250
Over 110	Over 150	Over 200	Over 250
To 120	To 150	To 200	To 250
Over 120	Over 150	Over 200	Over 250
To 130	To 150	To 200	To 250
Over 130	Over 150	Over 200	Over 250
To 140	To 150	To 200	To 250
Over 140	Over 150	Over 200	Over 250
To 150	To 150	To 200	To 250
Over 150	Over 150	Over 200	Over 250

HOW TO ORDER:

TU4-4-XX
 Sereses No. Color:
 GY: Grey
 OG: Orange
 BU: Blue

订货号 Order No.	TU4-4-XX	名称 Name	TU系列4mm ² 螺 钉二进二出线 端子	未注公差 Tolerance	表面 Surface
项目 Item	签字 Signature	图号 Drawing No.	PRM002760	公差表 Tolerances Table	VDI21
设计 Design	c.js	材料 Material	Notes	版本号 Revision Number	重量 Weight
审核 Check	l.xw	日期 Date	11/19/20 ^o	M0	比例 Scale
工艺 Process	-	物料号 Item No.	411033039	第1页/共1页 1 of 1	1:1
标准化 Unity	-	物料号 Item No.	411033040	NINGBO SUPU ELECTRONICS CO.,LTD.	
批准 Approve	x.j	日期 Date	11/19/20 ^o	SUPU 宁波波普电子有限公司	