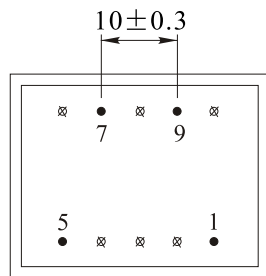
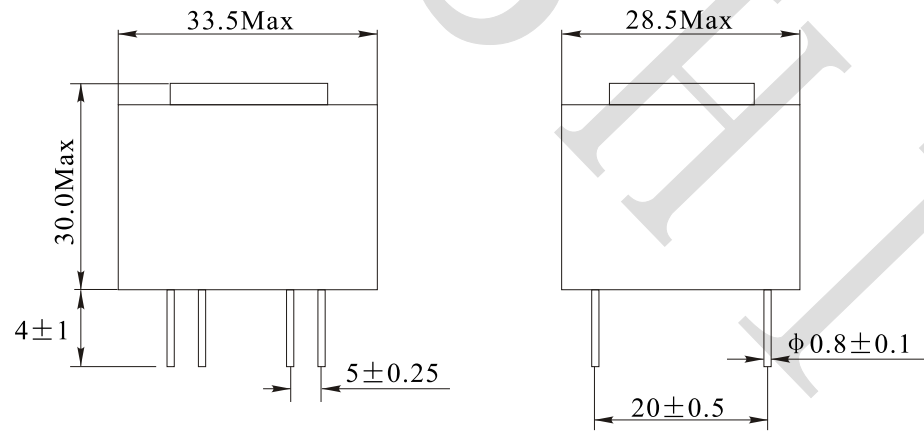
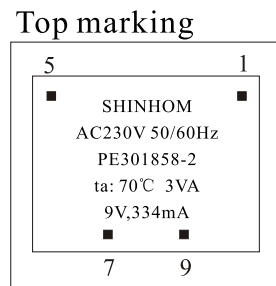


| Rev. | Description | Date |
|------|-------------|------------|
| A0 | New release | 2022.05.18 |
| | | |
| | | |

1. PHYSICAL CHARACTERISTICS (mm)



Bottom view

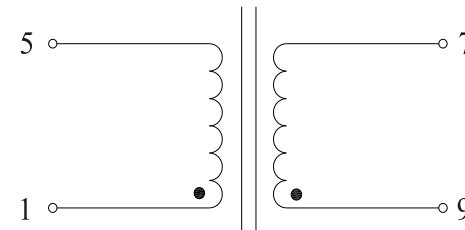


NOTES:

Temp 20°C 48%RH
RoHS Compliant

The Document property belong to SHINHOM & is not allowed to be duplicated without authorization

2. ELECTRONICAL SCHEMATIC



3. ELECTRONICAL SPECIFICATIONS

Pri voltage: 230V,50Hz

Sec load voltage: 9.0V±0.5V@334mA

Noload voltage: 13.5V±0.5V

Output Power: 3VA

Hi-Pot: 4000V,50Hz,1mA,10S Pri to Sec

Note:

- Solderability: leads shall meet MIL-STD-202, Method 208D for solderability.
- Flammability: UL94V-0
- ASTM oxygen index: >28%

| | | | |
|---------------|---------------------|------------|------------|
| NAME: | Potting Transformer | | |
| CUSTOMER P/N: | BV EI 305 2051 | DATE: | 2022-05-18 |
| SHINHOM P/N: | PE301858-2 | REV: A0 | PAGE |
| DRAWN BY | CHECKED BY | APPROVE BY | |



SHINHOM
SHAANXISHINHOM ENTERPRISE CO LTD