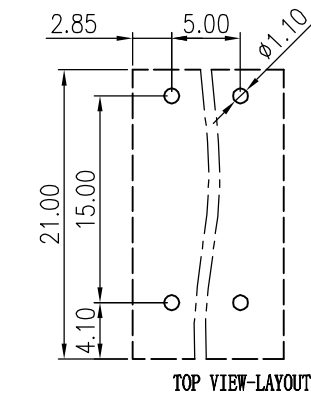
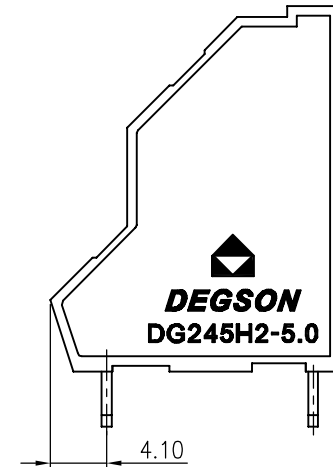
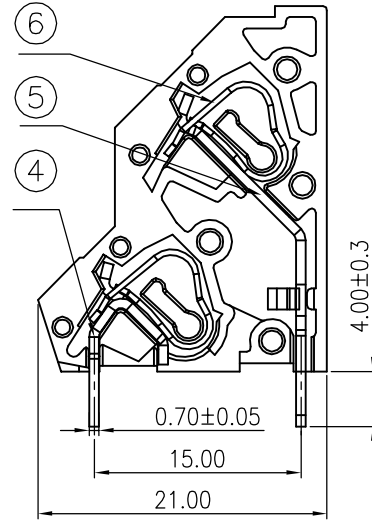
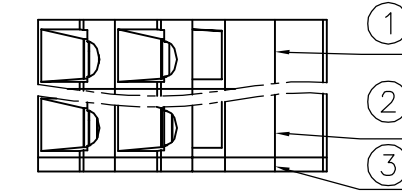
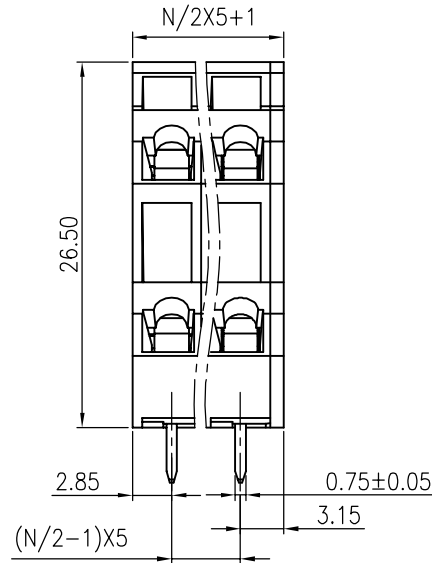
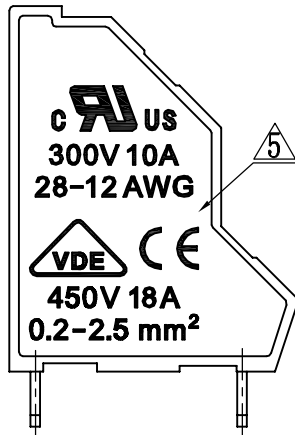


Notes:

1. Pitch: 5.00mm, Ploes: XXP
2. Rated voltage/current: UL 300V/10A
VDE 450V/18A
3. Operation temperatures: -40°C ~ +105°C
4. Withstanding Voltage: AC3000V/1min
5. Insulation Resistance: 5000MΩ/DC1000V
6. Wire Range: 28~12AWG, 0.2~2.5mm²
7. Undimensioned Tolerances:

Pitch range in mm				Nominal dimension range in mm				
to 6	over 6 to 10	over 10 to 24	to 30	over 30 to 60	over 60 to 100	over 100 to 150	over 150	∅
±0.10	±0.15	±0.25	±0.2	±0.3	±0.5	±0.7	±1.0	0.05/10

REVISION RECORD				
REV	ECO	DESCRIPTION	DRFT	DATE
△		增加UL刻字	CSX	08/29/07
△		品名、料号增加环保标示“(H)”	LJH	12/08/07
△		修改线数: 改为每个焊脚代表一线	LJH	03/22/08
△		修改参数	LJH	12/08/08
△	10-0327	增加VDE刻字	Yi. Zeng	09/30/10



ITEM	NAME OF PART	NO. OF PART	Q'TY	MATERIAL	NOTES
6	DG242 Spring	X00000990 (H)	XX	Stainless steel	
5	DG245H2-Pin	3030B00010 (H)	XX/2	Copper	Snce plated
4	DG245H1-Pin	3025B00020 (H)	XX/2	Phosphor bronze	Snce plated
3	DG245H2-5.0 Cover	3030C0Y01A (H)	1	PA66	UL94V-0
2	DG245H2-5.0 In-housing	3030A0Y01A (H)	XX/2-1	PA66	UL94V-0
1	DG245H2-5.0 Side-housing	3030A0Y01B (H)	1	PA66	UL94V-0

DFTO Yangys DATE 11/04/06* CHKD DATE MFO DATE APPVL DATE		宁波高正电子有限公司 DEGSON ELECTRONICS CO., LTD	
TOLERANCES EXCEPT AS NOTED MM .0 ± .00 ± .000 ±		NAME DG245H2-5.0-XXP-1Y-00A(H)	
ANGLES ± 1° THIRD ANGLE PROJECTION		MATERIAL : G.E : FINISH : SCALE : 1:1	
DETACHED LISTS		DRAWING NO. DG245H2-5.0-E01 /PART NO. DO NOT SCALE DRAWING	
		SHEET 1 OF 1	