

C3216X7R2A105M160AA

TDK Item Description : C3216X7R2A105MT****

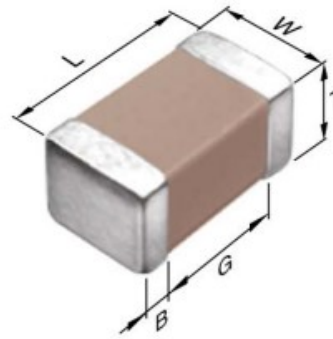


Application & Main Feature

Commercial Grade (Mid Voltage (100 to 630V))

Series

C3216 [EIA CC1206]



Dimensions

L 3.20mm ± 0.2mm
 W 1.60mm ± 0.2mm
 T 1.60mm ± 0.2mm
 B 0.20mm Min.
 G 1.00mm Min.

Temperature Characteristic

X7R (-55 to 125 °C ±15%)

Rated Voltage

2A (100Vdc)

Capacitance

1uF

Capacitance Tolerance

M (± 20%)

Dissipation Factor

3% Max.

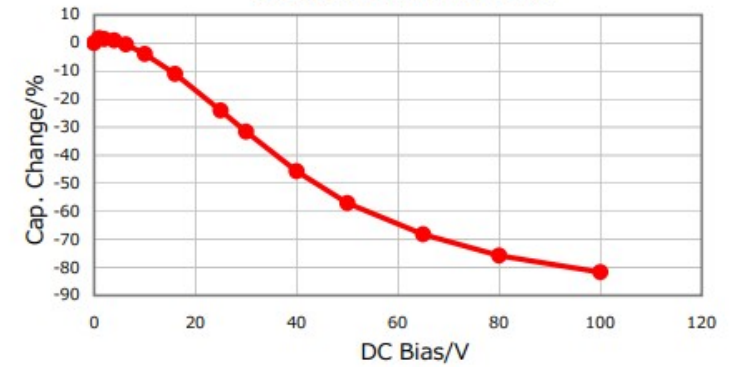
Insulation Resistance

500MΩ Min.

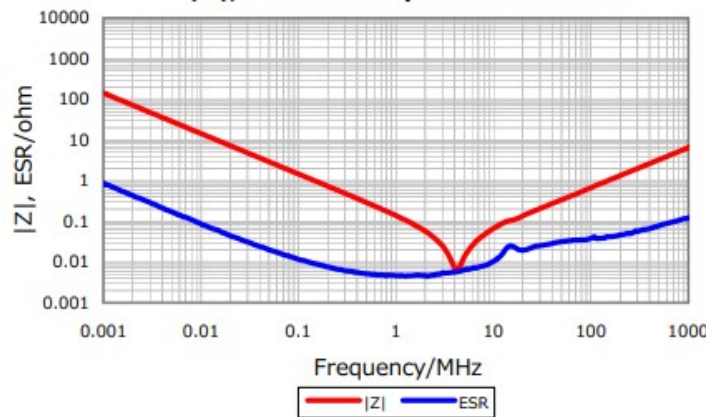
AEC-Q200

Not Applicable

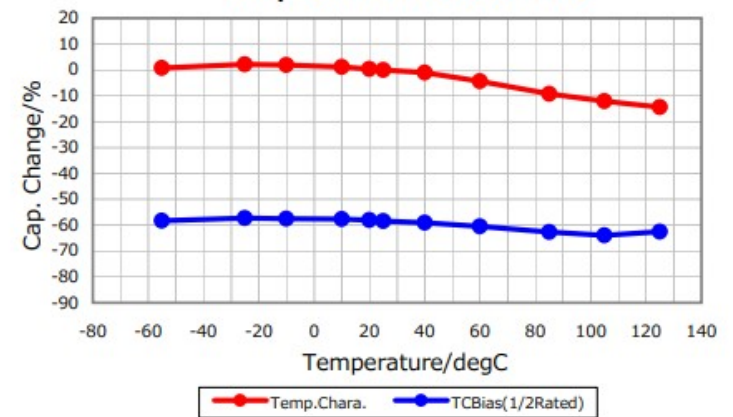
DC Bias Characteristic



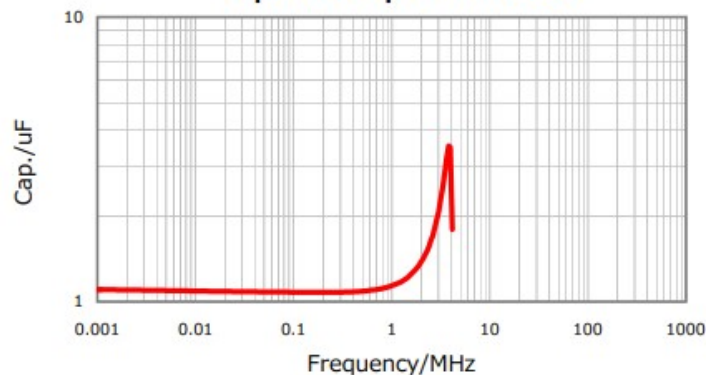
|Z|, ESR vs. Freq. Characteristics



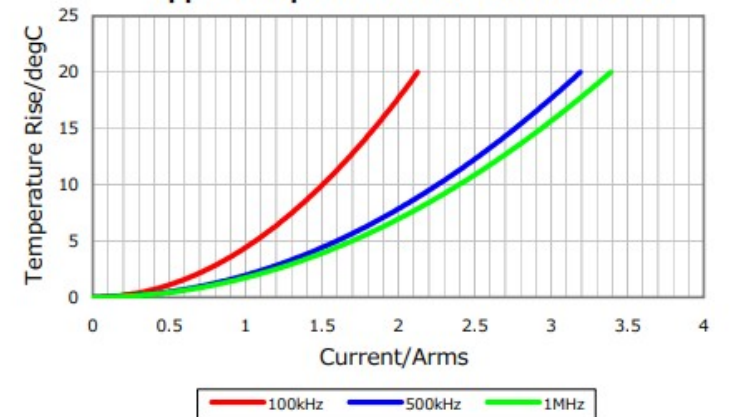
Temperature Characteristics



Cap. vs. Freq. Characteristic



Ripple Temperature Rise Characteristics



⚠ All specifications are subject to change without notice.