

## Data sheet

Commercial Art.No.: 76.353.1535.1

Hood HD GOT GG 15 M25 50 A1

Hood revos HD made of aluminum, for single locking lever with threaded hole M25 on the right side, low version, 15-poles



Commercial Art.No.	76.353.1535.1
EAN	4015573702707
Order Unit	1

## Technical data

### General

Housing material	aluminum
Color	Grey
Surface	With powder coating
Degree of protection (IP)	Other
UV resistant	yes
Inflammability class of insulation material acc. with UL94	Other
Operating temperature range min.	-40 °C
Operating temperature range max.	120 °C

### Model

Construction	10/15
Locking mechanism	Single locking lever
Cable entry	Sideways
Type of cable	Thread
With cable screw gland	No
Thread size M	25
Thread size PG	
Hinged lid	No
EMC-version	No
Length	73 mm
Width	33 mm
Height	64 mm

### Classification

ECLASS 11	
ECLASS 8.1	27440202
ETIM 7.0	EC000437
ETIM 6.0	EC000437
ETIM 5.0	EC000437
ETIM 4.0	EC000437
ETIM 3.0	EC000437

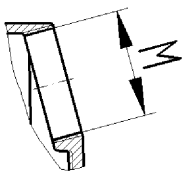
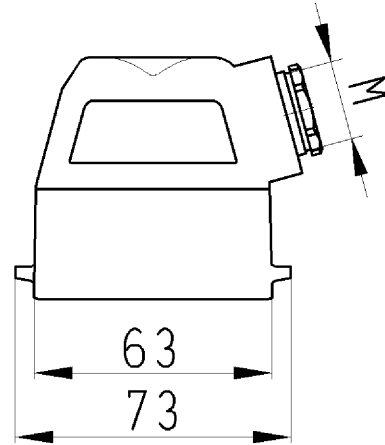
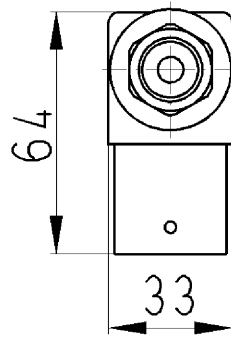
### Product compliance

REACH-SVHC conformity status	Compliant
------------------------------	-----------

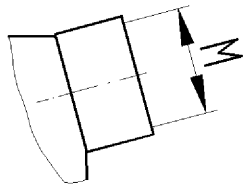
### Fits with

Commercial Art.No.:	Article-type description:	Description:
73.300.1053.0	Female insert HD BUS 10 2,5 25 AG	revos BASIC HD 10 pole + ground, female insert 250V/16A, screw connection
73.310.1053.0	Male insert HD STS 10 2,5 25 AG	revos BASIC HD 10 pole + ground, male insert 250V/16A, screw connection
73.700.1553.0	Female insert HD BUC 15 25	revos HD 15 pole + ground, female insert, 250V/10A, crimp connection
73.710.1553.0	Male insert HD STC 15 25	revos HD 15 pole + ground, male insert, 250V/10A, crimp connection

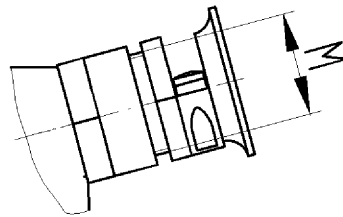
version .0



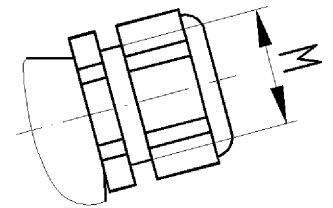
version .1



version .2



version .3



version .5

IP 65

Gehäuseoberteil  
76.350.1535.0

Zeichnungsnummer  
76.350.1535.010W  
Gehäuseoberteil

10.01.2008  
Hoffmann Angelika  
M 1:2

Weitergabe sowie Vervielfältigung dieses Dokuments, Verwertung und Mitteilung seines Inhalts sind verboten, soweit nicht ausdrücklich gestattet. The reproduction, distribution and utilization of this document as well as the communication of its contents to others without express authorization is prohibited.