

Data sheet

Commercial Art.No.: 9L.071.6353.1

Device connector RST20I7S 11 M02V SW

RST20i7 device connector M32, with longitudinal sealing, 7 pole, female, screw connection, modular, application 250/400V with PE, 20A, coding color black, color of housing black



Commercial Art.No.	9L.071.6353.1
EAN	4049088553448
Order Unit	1

Certificates / Approvals



Technical data

General

Rated current	20 A
Rated voltage	250 V / 400 V
Pollution degree	3
Rated impulse voltage	4 kV
Lockable	self-locking (unlocking by tool)
Color of coding/ contact carrier	black
Marking of poles	1, 2, 3, 4/N, 5, 6, PE

Connection Data

Connection cross section solid mm ² max.	2.5 mm ²
Connection cross section solid mm ² min.	0.2 mm ²
Connection cross section fine stranded mm ² max.	2.5 mm ²
Connection cross section fine stranded mm ² min.	0.2 mm ²
Terminations per pole	1
Wire strip length	8 mm
Connection cross section stranded AWG min.	20 AWG
Connection cross section stranded AWG max.	14 AWG

Model

Model	female
Connection type	screw connection
Connecting thread metric	M32
Angle of plug	straight

Degree of protection (IP)	IP66/68 (3m;2h) /IP69
Longitudinal sealed	yes
Thickness of housings (electrical device) 2	0.5 mm
Thickness of housings (electrical device)	7 mm

Material

Housing material	Polyamide
halogen free	yes
Contact material	CuZn
Fire load	0 kWh
Insulation components continuous temperature	100 °C
Surface finish	Silver-plated

Dimensions

Length	53.3 mm
Width	40 mm
Height	40 mm

Note

Note	Wires with 2,5 mm ² only without ferrules; Positioning realised with flattened thread; 3 poles max. 20A, 4 poles max. 5A; Use only one connector with contact sealing - either male or female connector.
------	---

Classification

ECLASS 11	
ECLASS 8.1	27440602
ETIM 7.0	EC002566
ETIM 6.0	EC002566
ETIM 5.0	EC002566
ETIM 4.0	EC002566

Product compliance

ROHS conformity status	Compliant/Exempted
ROHS exceptions	III-6(c)
REACH-SVHC conformity status	Duty-To-Declare
REACH-SVHC substances	Lead
REACH-SVHC CAS numbers	7439-92-1

Accessories

Commercial Art.No.:	Article-type description:	Description:
99.589.0000.7	Cover for female connector SW	RST20i7/6 cover piece, for covering unused female connectors, with fastening belt, color black
Z5.569.5253.1	Cover for female connector SW	RST20i7/6 cover piece, for covering unused female connectors, color black

Fits with

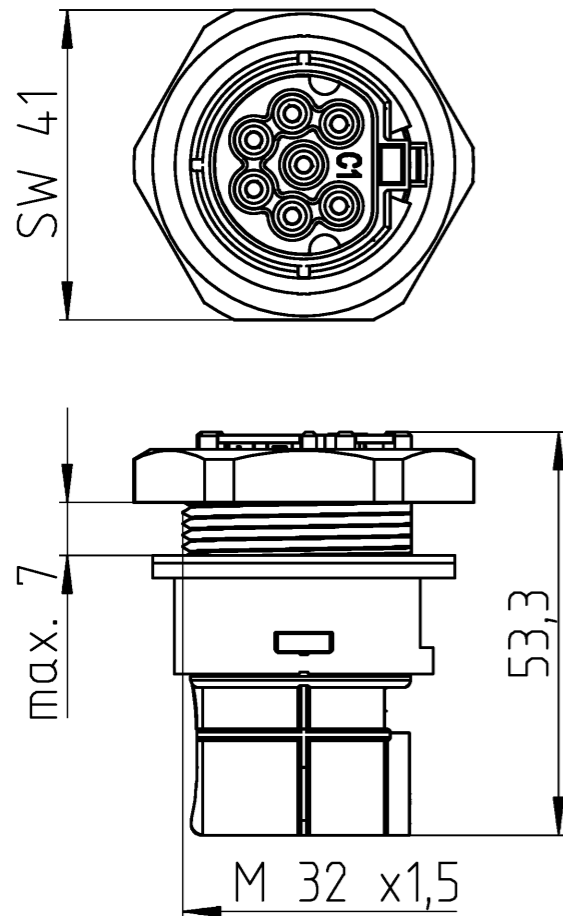
Commercial Art.No.:	Article-type description:	Description:
---------------------	---------------------------	--------------

96.072.4853.1	Connector RST20I7S S1 ZR6 SW	RST20i7 connector, 7 pole, male, screw connection, application 250/400V with PE, 20A, for cable diameters 8-13mm, coding color black, color of housing black
---------------	------------------------------	--

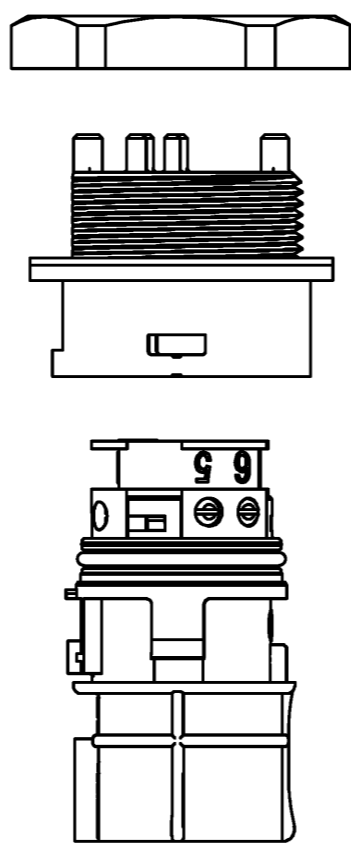
A
 Weitergabe sowie Vervielfältigung dieses Dokuments, Verwertung und Mitteilung seines Inhalts sind verboten, soweit nicht ausdrücklich gestattet.
 The reproduction, distribution and utilization of this document as well as the communication of its contents to others without express authorization is prohibited.

B
 These dimensions will be especially checked at delivery
 Only inspection dimensions
 With /E marked dimensions are only valid for internal use

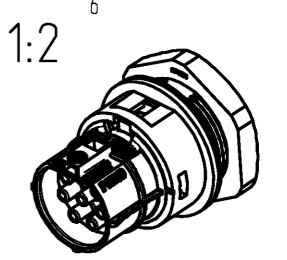
C
 Diese Maße werden bei Abnahme besonders geprüft
 Ausschließlich Prüfmaße
 Mit /E gekennzeichnete Maße sind nur für interne Zwecke gültig



3
 Auslieferungszustand
 delivered condition



4
 * = mit Kontaktabdichtung/with contact seal
 ● Polverschluss/pole cap



Bestellnummer order number	Typ type	Farbe colour	Kodierung coding
96.071.6353.1	RST2017S B1 M02V SW	schwarz black	
* 9L.071.6353.1	RST2017S 11 M02V SW		
96.071.6353.9	RST2017S B1 M02V BL07	lichtblau light blue	
* 9L.071.6353.9	RST2017S 11 M02V BL07		
96.061.6353.6	RST2016S B1 M02V TB04	türkisblau turquoise blue	
* 9L.061.6353.6	RST2016S 11 M02V TB04		
96.071.6353.6	RST2017S B1 M02V TB04		
* 9L.071.6353.6	RST2017S 11 M02V TB04		

Weitere Daten siehe KATALOG oder eKATALOG.
 Additional data see CATALOG or eCATALOG.

www.wieland-electric.com
 eshop.wieland-electric.com

F
 Öffnungsmassbild siehe 96.071.6353.1 14K
 opening dimension see 96.071.6353.1 14K

Tolerierung Size ISO 14405 © / Tolerance system Size ISO 14405 ©. (This ISO-standard describes the envelope principle. According to the envelope principle the deviations of form and parallelism are limited by the size tolerances).		ja/yes <input checked="" type="checkbox"/> Stoffverbots- und Deklarationsliste nach WN 5020.010 ist einzuhalten. Conformity with Wieland document WN 5020.010 e (list of prohibited / declarable hazardous substances) to be declared!	
Freitoleranz nach General tolerance	CAD - Zeichnung, keine manuellen Änderungen CAD - drawing, no manual modifications allowed	1 Verwendung: First Use:	Blatt: 1 von 1 Sheet: of 1
/	Werkstoff / Material	Tag/Date	Name
/	Maßstab / Scale	gezeichnet drawn	24.10.2019 Dütsch T.
/	1:1	geprüft checked	
/	Vol. mm ³ Dfl./Srf. mm ²	Normgepr. Stand. check	
Ersatz für / Replacement for:		Zeichnung Nr. / Drawing No.	
www.wieland-electric.com		T 96.071.6353.1 13K	
Index Datum / Blatt Date / Sheet		Maße in mm / Dimensions are in mm	
Änderung / Revision		Type Benennung/Title	
		BU_SCHRAUB ohne Drahtschutz female, screw connection without wire protection	