

NRP SERIES



Industrial & Electrical Components

Miniature P.C.B Relay

Part No.

NRP-05



- Ultra-small type with dimensions.
- High sensitivity:200mW coil power
- Sealed type available

CONTACT

Arrangement	1A, 1C
Contact Material	Silver Alloy
Contact Resistive (At 6VDC 1A)	≤ 100 mΩ
Rating	A: 5A 250VAC / 30VDC(0.45W) AG: 10A 250VAC / 30VDC(0.45W)
Resistive load (cosφ=1)	A: 3A 250VAC / 30VDC(0.2W) AG: 8A 250VAC / 30VDC(0.2W) C: NO: 5A 250VAC /30VDC NC: 3A 250VAC /30VDC
Max. Switching Voltage	250VAC 30VDC
Max. Switching Current	10A
Max. Switching Power	2500VA / 300W
Expected life	
Mechanical	1×10 ⁶ Min
Electrical	1×10 ⁵ Min.

CHARACTERISTICS

Operate Time	8ms. Max.
Release Time	5ms. Max.
Initial breakdown voltage	
Between Coil & Contact	2500VAC for 1 min.
Between Open Contacts	1000VAC for 1 min.
Insulation Resistance	Min.100MΩ (500 VDC)
Shock:	
Endurance	98 m/s ²
Damage	980 m/s ²
Vibration	
Endurance	10 to 55 Hz ,1.5mm D.A.
Damage	10 to 55 Hz ,1.5mm D.A.
Humidity	35%~95%RH
Ambient temperature	-40 to +70°C
Unit weight	≤6g

ORDERING INFORMATION

e.g

NRP05 - C -12D - H - G

① ② ③ ④ ⑤

① Part N Miniature p.c.b Relay

② Contact Form:

C=1C/O; A = N/O

③ Coil Voltage: 12D= 12Vdc

④ Nil= 0.45W coil power

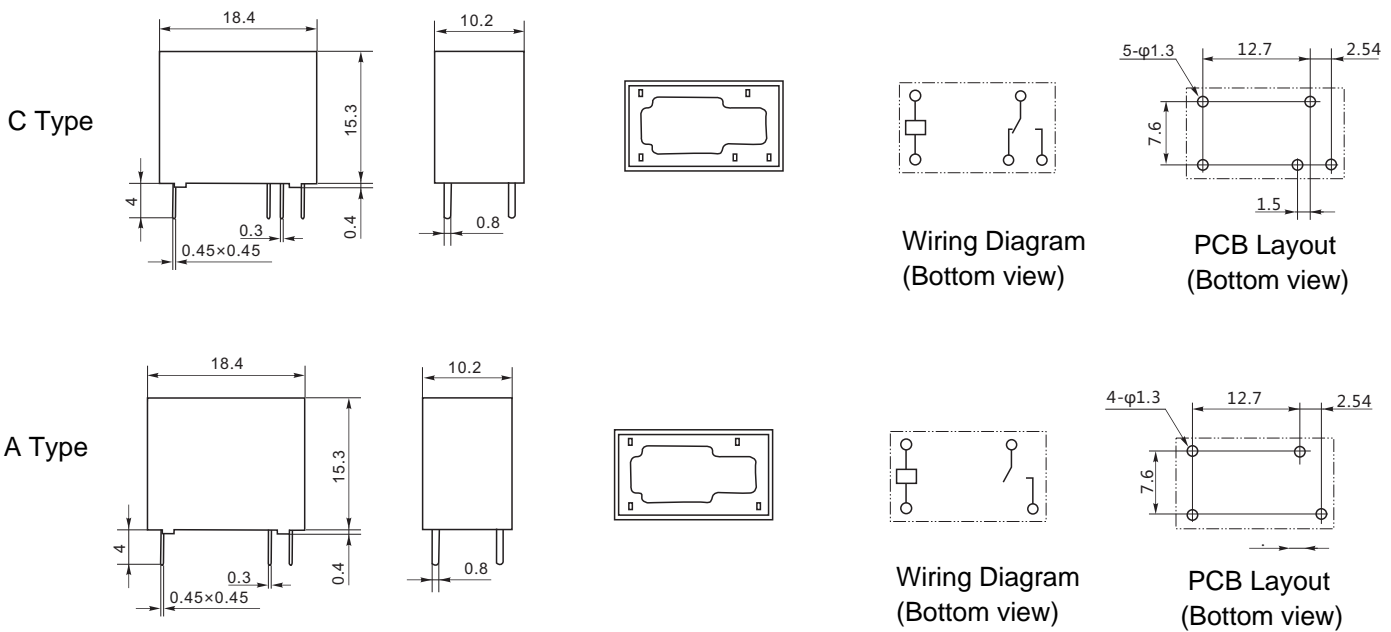
H = 0.20W coil power, Sensitive
(Only for 1 Form A)

⑤ G = 10A contact capacity

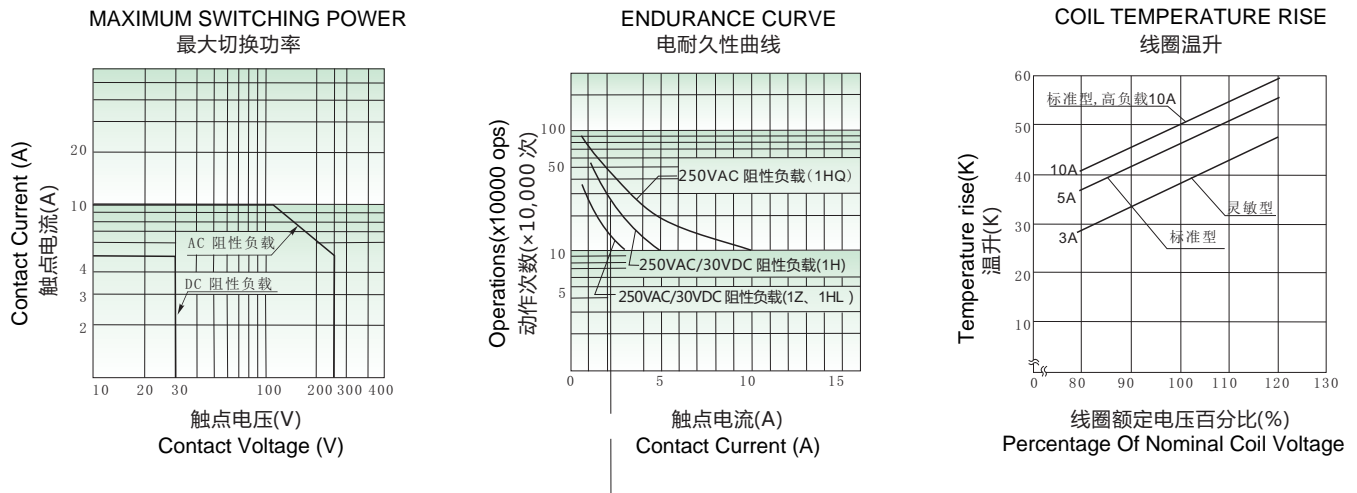
COIL DATA (at 20°C)

Nominal Voltage (VDC)	Pick-up Voltage VDC(Max)	Drop-out Voltage VDC(Min)	Coil Resistance (Ω) \pm 10%		Nominal operating Power	Max.Allowable Voltage
			High Sensitive 0.20(1A)	Standard 0.45W(W)		
3	2.25	0.15	45	20	0.20 / 0.45	0.45W: 130% of nominal Voltage ----- 0.20W: 150% of nominal Voltage
5	3.75	0.25	125	55		
6	4.50	0.30	180	80		
9	6.75	0.45	400	180		
12	9.00	0.60	720	320		
18	13.50	0.90	1620	720		
24	18.00	1.20	2880	1280		

DIMENSIONS & DIAGRAM Unit: mm



Reference Data 性能曲线图



Disclaimer:

The specifications in this datasheet are for reference only and subject to change without notice.No chance for us to evaluate all the specifications and technical parameters for each possible application.The users will take the responsibility to choose the correct products for their own applications. While if any technical support is needed, please contact NCR team for assistance.