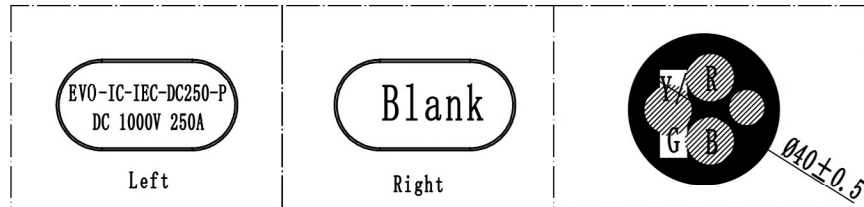


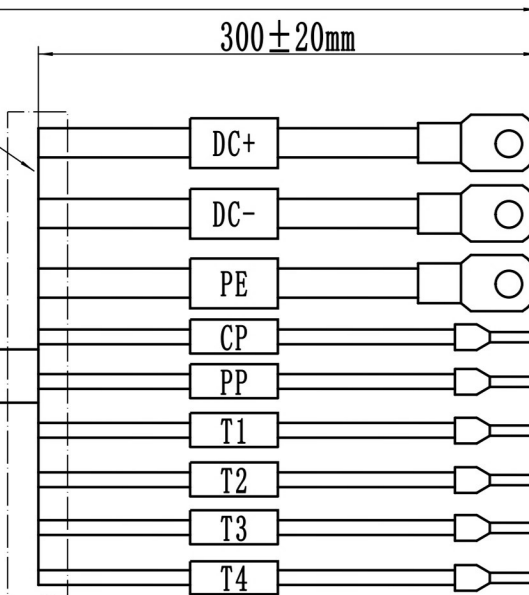
版本号 Ver	更改通知单 ECN	更改标记 MARK	描述 DESCRIPTION	日期 DATE	签字 APP	校对 CHR
---------	-----------	-----------	----------------	---------	--------	--------



5000±50mm

300±20mm

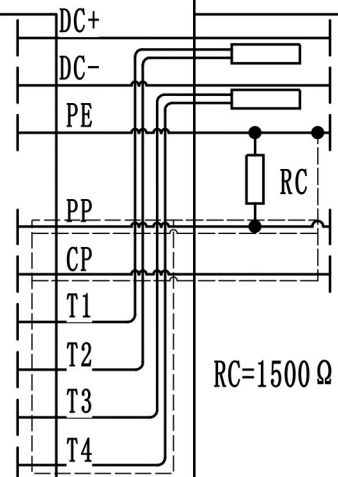
100mm long heat shrink Tubing



Main Parameter:

- 1, Rated Current: 250A
- 2, Rated Voltage: 1000V
- 3, Insulation Resistance: $\geq 500M\Omega$ (DC500V)
- 4, Withstand Voltage: 3500V
- 5, Contact Resistance: $0.5m\Omega$ Max
- 6, Plastic Fire Rating: UL94 V0
- 7, Mechanical Life: More than 10000 Times (No-Load Insertion and Extraction)
- 8, Waterproof; IP55 (After Insertion), IP54 (Before Insertion)
- 9, Working Environment: $-30^{\circ}C \sim +50^{\circ}C$

Spec	Terminal Model	Color	Vehicle Connector
70mm ²	JG70-8	Brown	DC+
70mm ²	JG70-8	Blue	DC-
25mm ²	JG25-8	Y/G	PE
0.75mm ²	E1008	Orange	PP
0.75mm ²	E1008	White	CP
0.75mm ²	E1008	Brown	T1
0.75mm ²	E1008	Grey	T2
0.75mm ²	E1008	Blue	T3
0.75mm ²	E1008	Purple	T4



The Default House Color is White, Unless Specified
 Temperature Sensor Model is PT1000
 Charging Vehicle Connector : Meet IEC-62196-2 2014 Standard
 Charging Cable: $2*70mm^2 + 1*25mm^2 + (6*0.75mm^2)$ P Black TPE Cable

图样标记 Dwg. Sym	S	投影标记 Proj. Sym		名称 NAME	250A Vehicle Connector Mode 4		
材料 MATL		重量 WEIGHT		图号 DRAW NO.	纸幅 SIZE	比例 SCALE	
设计 DESIGNED	日期	审核 CHECK	日期	标准化 STD CHECKED	日期	品号 PART NO.	第 张 共 张 SHEET OF
校对 CHECKED	日期	工艺 PROCESS	日期	批准 APPROVED	日期		