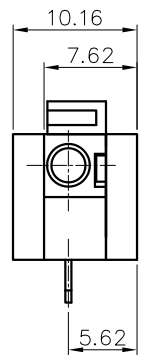
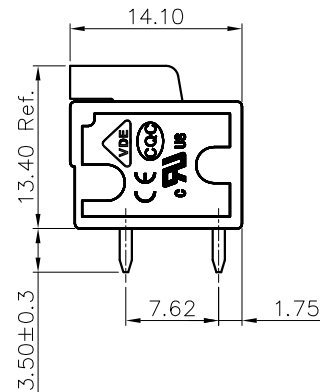
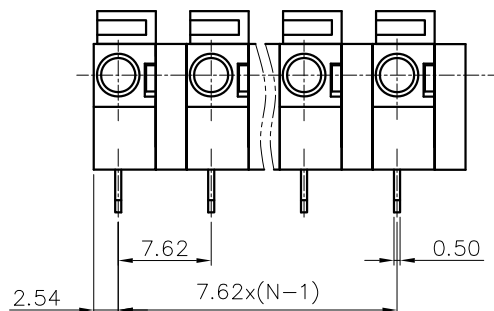
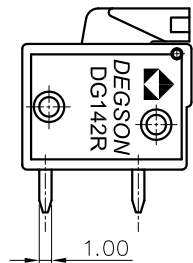
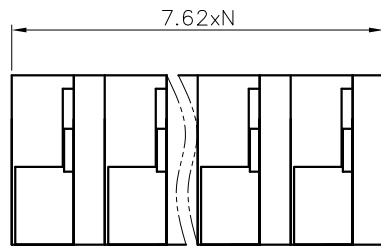


REVISION RECORD				
REV	ECN	DESCRIPTION	DRFT	DATE



01P



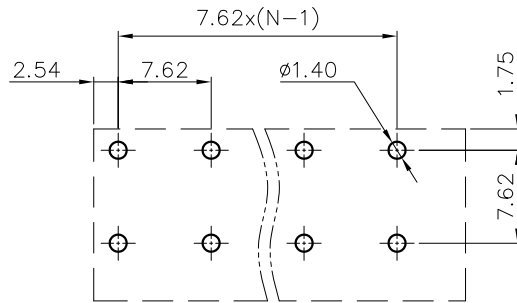
NOTES1:  
 UL Standard  
 1.Rated voltage/current : 300V / 10A  
 2.Wire range : 22~16AWG  
 IEC Standard  
 1.Rated voltage/current : 450V / 15A  
 2.Wire range : 0.2~1.5mm<sup>2</sup>

NOTES2:  
 1.Dimension shall be interpreted per ASME Y14.5-2009  
 2.Pitch : 7.62mm, Poles : N=01~XXP  
 3.Stripping length : 11mm  
 4.Withstanding voltage : AC2500V/1Min.  
 5.Operating temperature: -40°C~+105°C  
 6.Undimensioned tolerances:

Pitch range in mm		Nominal dimension range in mm					0.1/10
TO 6	Over 6 TO 10	Over 10 TO 24	Over 30 TO 60	Over 60 TO 100	Over 100 TO 150	0.1/10	
±0.15	±0.20	±0.30	±0.30	±0.50	±0.70	±1.00	
						±1.30	
						±2'	

7.RoHS Compliance

DG142R - 7.62 - XXP - 1Y - 00A (H)  
 (Series No.) (Pitch) (Poles) (Single Pitch) (Color):1.(Grey)  
 2.(Blue)  
 3.(Black)  
 4.(Green)  
 5.(Orange)  
 6.(Red)  
 7.(Transparent)  
 8.(Yellow)  
 9.(White)



PCB LAYOUT

DETACHED LISTS	PART NO.:	宁波高松电子有限公司 NINGBO DEGSON ELECTRICAL CO., LTD			
	APPD:	NAME: DG142R-7.62-XXP-1Y-00A(H)			
	CHKD:	TITLE: CUSTOMER DRAWING			
	DRFT:	DRAWING NO.:		REV	DO
THIRD ANGLE PROJECTION		DO NOT SCALE DRAWING	SHEET	1/1	
		MM (INCH)	SCALE	1:1	