

## Data sheet

Commercial Art.No.: 02.123.7321.0

Female contact 2,5 QMM

Female contact, turned Ø 2,5 mm, 2,5 mm<sup>2</sup>, AWG 14,Sn



Commercial Art.No.	02.123.7321.0
EAN	4015573053410
Order Unit	200

## Technical data

### General

Wire strip length	7 mm
Min. conductor cross section flexible wire	2.5 mm <sup>2</sup>
Max. conductor cross section flexible wire	2.5 mm <sup>2</sup>
Min. UL/CSA wire diameter flexible wire	14 AWG
Max. UL/CSA wire diameter flexible wire	14 AWG
Connection type	Crimp
Material	Brass
Massive contact	yes
Contact pin diameter	2.5 mm
Inflammability class of insulation material acc. with UL94	Other
Contact resistance	≤ 1.5 mOhm

### Classification

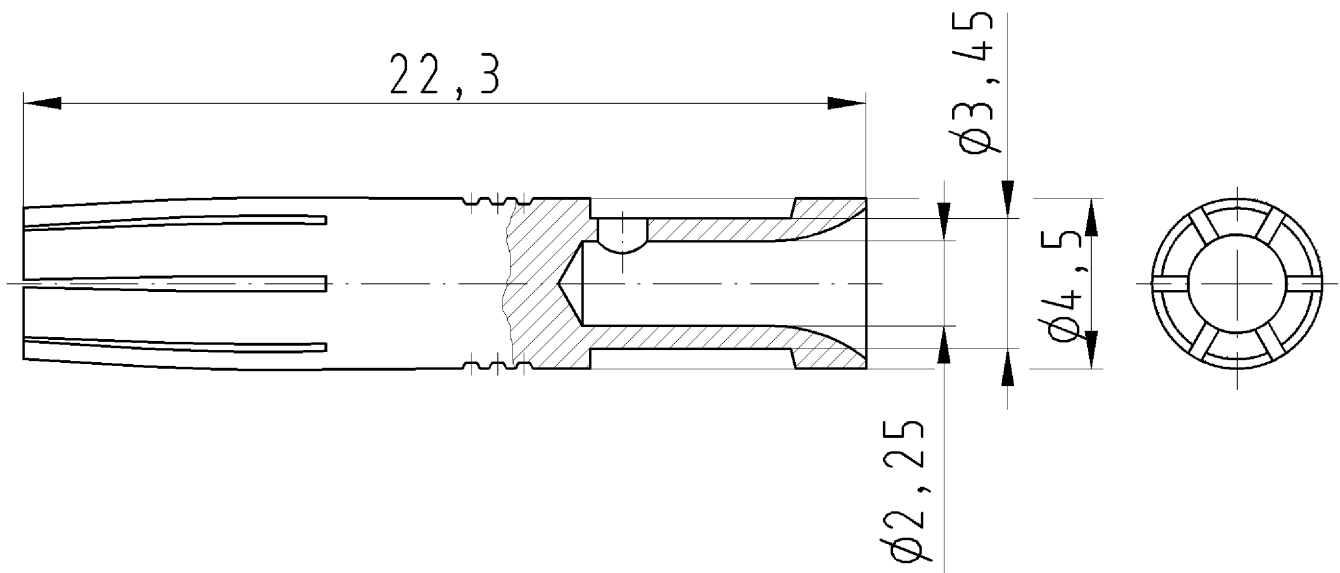
ECLASS 11	
ECLASS 8.1	27440204
ETIM 7.0	EC000796
ETIM 6.0	EC000796
ETIM 5.0	EC000796
ETIM 4.0	EC000796
ETIM 3.0	EC000796

### Product compliance

ROHS conformity status	Compliant/Exempted
ROHS exceptions	III-6(c)
REACH-SVHC conformity status	Duty-To-Declare
REACH-SVHC substances	Lead
REACH-SVHC CAS numbers	7439-92-1

## Accessories

Commercial Art.No.:	Article-type description:	Description:
05.502.2100.0	Crimping die B	Crimp dies for revos crimping tool, usable for crimp-contacts with a cross section of 0.14-1.0 mm <sup>2</sup> , 1.5 mm <sup>2</sup> , 2.5 mm <sup>2</sup> and 4.0 mm <sup>2</sup>
95.101.0800.0	Basic crimping tool .	Crimping tool kit
05.502.3500.0	Extraction tool 500/690V-SER.	Extraction tool for turned contacts with a diameter of 2.5 mm
05.502.3300.0	Contact positioner 3	Contact positioner 3



Buchsenkontakt  
02.123.7321.0

Zeichnungsnummer  
02.123.7321.010W  
Buchsenkontakt

19.08.2008  
Hoffmann Angelika  
M 5:1