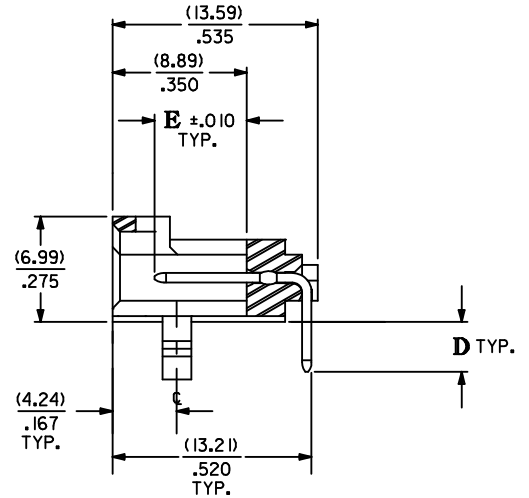
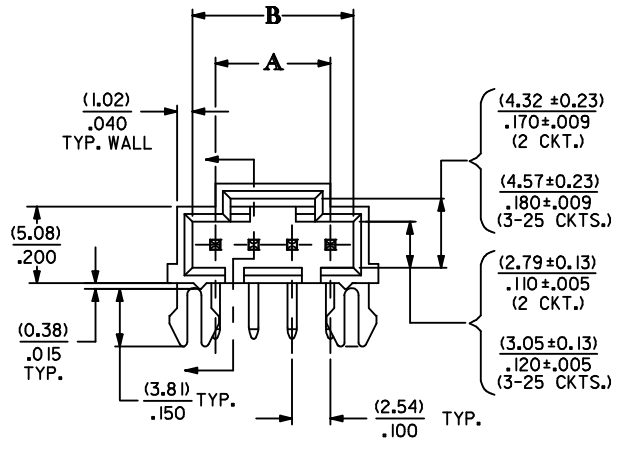


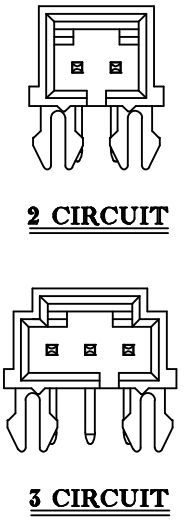
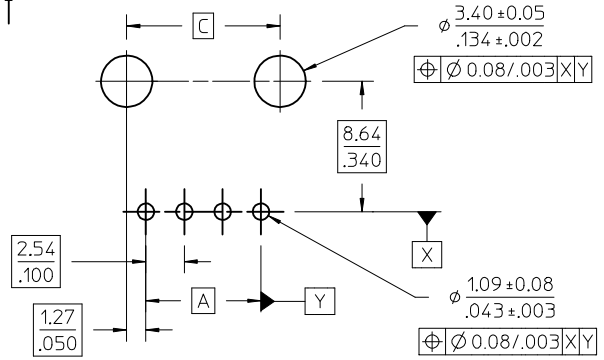
**ALTERNATIVE CORING  
MANUFACTURER'S OPTION**

CKT. SIZE	DIM. "A"		DIM. "B"		DIM. "C"		DIM. "Z"	
	MM	IN.	MM	IN.	MM	IN.	MM	IN.
2	2.54	.100	5.33	.210	5.08	.200	8.64	.340
3	5.08	.200	8.13	.320	7.62	.300	11.43	.450
4	7.62	.300	10.67	.420	10.16	.400	13.97	.550
5	10.16	.400	13.21	.520	12.70	.500	16.51	.650
6	12.70	.500	15.75	.620	15.24	.600	19.05	.750
7	15.24	.600	18.29	.720	17.78	.700	21.59	.850
8	17.78	.700	20.83	.820	20.32	.800	24.13	.950
9	20.32	.800	23.37	.920	22.86	.900	26.67	1.050
10	22.86	.900	25.91	1.020	25.40	1.000	29.21	1.150
11	25.40	1.000	28.45	1.120	27.94	1.100	31.75	1.250
12	27.94	1.100	30.99	1.220	30.48	1.200	34.29	1.350
13	30.48	1.200	33.53	1.320	33.02	1.300	36.83	1.450
14	33.02	1.300	36.07	1.420	35.56	1.400	39.37	1.550
15	35.56	1.400	38.61	1.520	38.10	1.500	41.91	1.650
16	38.10	1.500	41.15	1.620	40.64	1.600	44.45	1.750
17	40.64	1.600	43.69	1.720	43.18	1.700	46.99	1.850
18	43.18	1.700	46.23	1.820	45.72	1.800	49.53	1.950
19	45.72	1.800	48.77	1.920	48.26	1.900	52.07	2.050
20	48.26	1.900	51.31	2.020	50.80	2.000	54.61	2.150
21	50.80	2.000	53.85	2.120	53.34	2.100	57.15	2.250
22	53.34	2.100	56.39	2.220	55.88	2.200	59.69	2.350
23	55.88	2.200	58.93	2.320	58.42	2.300	62.23	2.450
24	58.42	2.300	61.47	2.420	60.96	2.400	64.77	2.650
25	60.96	2.400	64.01	2.520	63.50	2.500	67.31	2.750



- NOTES:
- MATERIAL:  
HOUSING: GLASS FILLED POLYESTER; UL94V-0, COLOR: BLACK  
PIN MATERIAL: PHOSPHOR BRONZE
  - HEADER TO BE USED WITH OPTION "G" 70400 AND 70430 SERIES SL CONNECTORS
  - REFER TO MOLEX PRODUCT SPECIFICATION PS-70541
  - STANDARD PACKAGING PER PK-70873-0015

- PLATING CODES:
- BRIGHT TIN - 150 MICROINCHES MINIMUM BRIGHT TIN PLATE OVER 50 MICROINCHES MINIMUM NICKEL PLATE
  - MATTE TIN - 150 MICROINCHES MINIMUM MATTE TIN PLATE OVER 50 MICROINCHES MINIMUM NICKEL PLATE
  - 15 GOLD - 15 MICROINCHES MINIMUM GOLD PLATE IN SELECT AREA 75 MICROINCHES MINIMUM MATTE TIN PLATE IN SELECT AREA OVER 50 MICROINCHES MINIMUM NICKEL PLATE OVERALL
  - 30 GOLD - 30 MICROINCHES MINIMUM GOLD PLATE IN SELECT AREA 75 MICROINCHES MINIMUM MATTE TIN PLATE IN SELECT AREA OVER 50 MICROINCHES MINIMUM NICKEL PLATE OVERALL




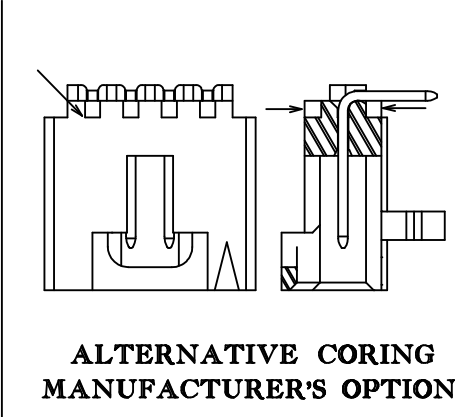
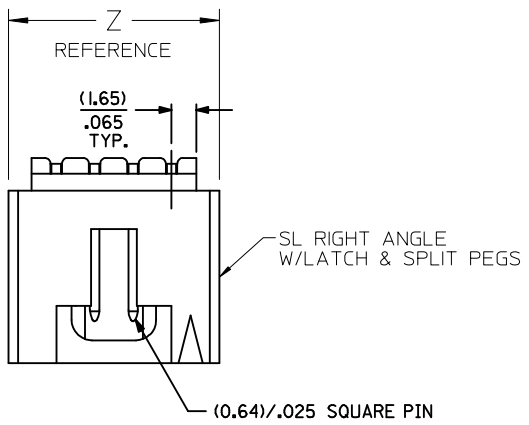
**RECOMMENDED P.C. BOARD LAYOUT**  
(FOR USE WITH (1.57)/.062 THICK BOARD)

CORRECT 30 GOLD DES EC NO: UCP2017-2006 DRWINKSAMTEC 2017/03/14 CHKD: APPR:FSMITH 2017/03/14	QUALITY SYMBOLS ∇=0 ∇=0 ∇=0	GENERAL TOLERANCES (UNLESS SPECIFIED)		DIMENSION STYLE		SCALE	DESIGN UNITS	THIRD ANGLE PROJECTION	
		mm	INCH	MM/IN		INCH	INCH		
		4 PLACES ± --- ± ---	3 PLACES ± --- ± .005	DRAWN BY	DATE	TITLE			
		2 PLACES ± 0.13 ± .010	1 PLACE ± 0.25 ± ---	AAB	1993/05/13	SL RIGHT ANGLE HEADER W/LATCH & SPLIT PEGS (2.54)/.100 CENTERS			
ANGULAR ±1/2°		MATERIAL NO.		DOCUMENT NO.		SHEET NO.			
DRAFT WHERE APPLICABLE MUST REMAIN WITHIN DIMENSIONS		SEE TABLE		SDA-70551-****		1 OF 2			
THIS DRAWING CONTAINS INFORMATION THAT IS PROPRIETARY TO MOLEX INCORPORATED AND SHOULD NOT BE USED WITHOUT WRITTEN PERMISSION									

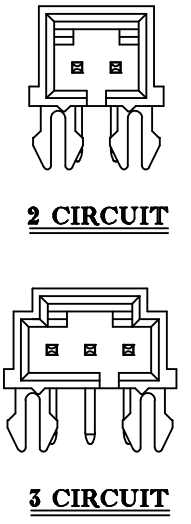
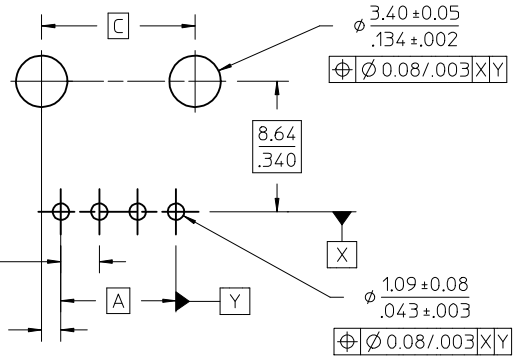
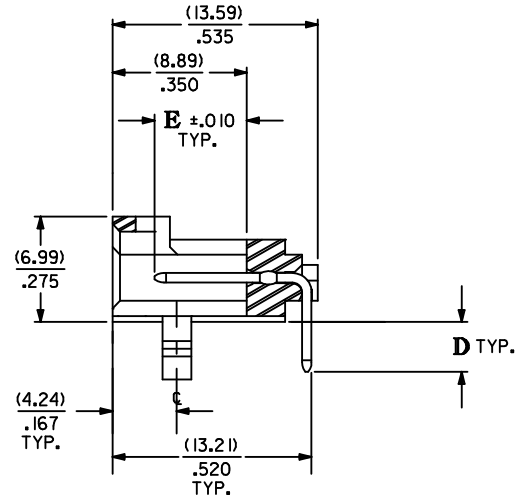
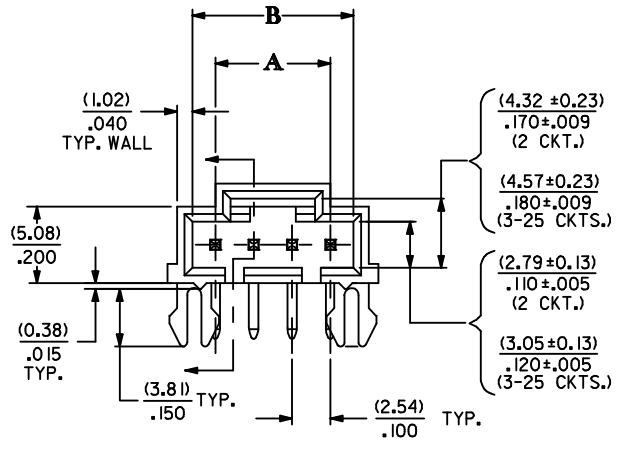
	13	12	11	10	9	8	7	6	5	4	3	2	1
J	CIRCUIT SIZE	ENGINEERING NUMBER A-70551		D	E	MATING AREA FINISH	PC TAIL AREA FINISH						
	2-25	-0001-0024		(3.30) .130	(6.10) .240	BRIGHT TIN	BRIGHT TIN						
	2-25	-0036-0059		(3.30) .130	(6.10) .240	15 GOLD	TIN						
I	2-25	-0071-0094		(3.30) .130	(6.10) .240	30 GOLD	TIN						
	2 & 4	-3001,-3003		(3.30) .130	(6.10) .240	MATTE TIN	MATTE TIN						
H													

CKTS	MATERIAL NO	MATERIAL NO	MATERIAL NO	MATERIAL NO					CKTS
02	70551-0001	70551-0036	70551-0071	70551-3001					02
03	70551-0002	70551-0037	70551-0072						03
04	70551-0003	70551-0038	70551-0073	70551-3003					04
05	70551-0004	70551-0039	70551-0074						05
06	70551-0005	70551-0040	70551-0075						06
07	70551-0006	70551-0041	70551-0076						07
08	70551-0007	70551-0042	70551-0077						08
09	70551-0008	70551-0043	70551-0078						09
F	10	70551-0009	70551-0044	70551-0079					10
	11	70551-0010	70551-0045	70551-0080					11
	12	70551-0011	70551-0046	70551-0081					12
	13	70551-0012	70551-0047	70551-0082					13
	14	70551-0013	70551-0048	70551-0083					14
	15	70551-0014	70551-0049	70551-0084					15
E	16	70551-0015	70551-0050	70551-0085					16
	17	70551-0016	70551-0051	70551-0086					17
	18	70551-0017	70551-0052	70551-0087					18
	19	70551-0018	70551-0053	70551-0088					19
	20	70551-0019	70551-0054	70551-0089					20
	21	70551-0020	70551-0055	70551-0090					21
D	22	70551-0021	70551-0056	70551-0091					22
	23	70551-0022	70551-0057	70551-0092					23
	24	70551-0023	70551-0058	70551-0093					24
	25	70551-0024	70551-0059	70551-0094					25

SEE SHEET 1 EC NO: UCP2017-2006 DRW: DRWKSAMIEC 2017/03/14 CHKD: APPR: FSMITH 2017/03/14 REV:	QUALITY SYMBOLS	GENERAL TOLERANCES (UNLESS SPECIFIED)	DIMENSION STYLE	SCALE	DESIGN UNITS	THIRD ANGLE PROJECTION
	▽=0	mm INCH	MM/IN	INCH	INCH	
	▽=0	4 PLACES ± --- ± ---	DRAWN BY DATE	TITLE		
	▽=0	3 PLACES ± --- ±.005	AAB 1993/05/13	SL RIGHT ANGLE HEADER W/LATCH & SPLIT PEGS (2.54)/.100 CENTERS		
	2 PLACES ± 0.13 ±.010	CHECKED BY DATE				
	1 PLACE ± 0.25 ± ---	AAB 1993/05/13				
	0 PLACE ± --- ± ---	APPROVED BY DATE	DOCUMENT NO.			
	ANGULAR ±1/2°	SMILLER 2010/11/23	SDA-70551-****			
	DRAFT WHERE APPLICABLE MUST REMAIN WITHIN DIMENSIONS	MATERIAL NO.	SHEET NO.			
		SEE TABLE	2 OF 2			
		THIS DRAWING CONTAINS INFORMATION THAT IS PROPRIETARY TO MOLEX INCORPORATED AND SHOULD NOT BE USED WITHOUT WRITTEN PERMISSION				



CKT. SIZE	DIM. "A"		DIM. "B"		DIM. "C"		DIM. "Z"	
	MM	IN.	MM	IN.	MM	IN.	MM	IN.
2	2.54	.100	5.33	.210	5.08	.200	8.64	.340
3	5.08	.200	8.13	.320	7.62	.300	11.43	.450
4	7.62	.300	10.67	.420	10.16	.400	13.97	.550
5	10.16	.400	13.21	.520	12.70	.500	16.51	.650
6	12.70	.500	15.75	.620	15.24	.600	19.05	.750
7	15.24	.600	18.29	.720	17.78	.700	21.59	.850
8	17.78	.700	20.83	.820	20.32	.800	24.13	.950
9	20.32	.800	23.37	.920	22.86	.900	26.67	1.050
10	22.86	.900	25.91	1.020	25.40	1.000	29.21	1.150
11	25.40	1.000	28.45	1.120	27.94	1.100	31.75	1.250
12	27.94	1.100	30.99	1.220	30.48	1.200	34.29	1.350
13	30.48	1.200	33.53	1.320	33.02	1.300	36.83	1.450
14	33.02	1.300	36.07	1.420	35.56	1.400	39.37	1.550
15	35.56	1.400	38.61	1.520	38.10	1.500	41.91	1.650
16	38.10	1.500	41.15	1.620	40.64	1.600	44.45	1.750
17	40.64	1.600	43.69	1.720	43.18	1.700	46.99	1.850
18	43.18	1.700	46.23	1.820	45.72	1.800	49.53	1.950
19	45.72	1.800	48.77	1.920	48.26	1.900	52.07	2.050
20	48.26	1.900	51.31	2.020	50.80	2.000	54.61	2.150
21	50.80	2.000	53.85	2.120	53.34	2.100	57.15	2.250
22	53.34	2.100	56.39	2.220	55.88	2.200	59.69	2.350
23	55.88	2.200	58.93	2.320	58.42	2.300	62.23	2.450
24	58.42	2.300	61.47	2.420	60.96	2.400	64.77	2.650
25	60.96	2.400	64.01	2.520	63.50	2.500	67.31	2.750



**RECOMMENDED P.C. BOARD LAYOUT**  
(FOR USE WITH (1.57)/.062 THICK BOARD)


- NOTES:  
 1. MATERIAL:  
 HOUSING: GLASS FILLED POLYESTER; UL94V-0, COLOR: BLACK  
 PIN MATERIAL: PHOSPHOR BRONZE  
 2. HEADER TO BE USED WITH OPTION "G" 70400 AND 70430  
 SERIES SL CONNECTORS  
 3. REFER TO MOLEX PRODUCT SPECIFICATION PS-70541  
 4. STANDARD PACKAGING PER PK-70873-0015

- PLATING CODES:  
 BRIGHT TIN - 150 MICROINCHES MINIMUM BRIGHT TIN PLATE  
 OVER 50 MICROINCHES MINIMUM NICKEL PLATE  
 MATTE TIN - 150 MICROINCHES MINIMUM MATTE TIN PLATE  
 OVER 50 MICROINCHES MINIMUM NICKEL PLATE  
 15 GOLD - 15 MICROINCHES MINIMUM GOLD PLATE IN SELECT AREA  
 75 MICROINCHES MINIMUM MATTE TIN PLATE IN SELECT AREA  
 OVER 50 MICROINCHES MINIMUM NICKEL PLATE OVERALL  
 30 GOLD - 30 MICROINCHES MINIMUM GOLD PLATE IN SELECT AREA  
 75 MICROINCHES MINIMUM MATTE TIN PLATE IN SELECT AREA  
 OVER 50 MICROINCHES MINIMUM NICKEL PLATE OVERALL

CORRECT 30 GOLD DES EC NO: UCP2017-2006 DRWINKSAMTEC 2017/03/14 CHKD: APPR:FSMITH 2017/03/14	QUALITY SYMBOLS ∇=0 ∇=0 ∇=0	GENERAL TOLERANCES (UNLESS SPECIFIED)		DIMENSION STYLE		SCALE	DESIGN UNITS	THIRD ANGLE PROJECTION	
		mm	INCH	MM/IN		INCH	INCH		
		4 PLACES ± --- ± ---		DRAWN BY DATE		TITLE			
		3 PLACES ± --- ± .005		AAB 1993/05/13		SL RIGHT ANGLE HEADER W/LATCH & SPLIT PEGS (2.54)/.100 CENTERS			
2 PLACES ± 0.13 ± .010		CHECKED BY DATE		<b>molex</b> DOCUMENT NO. SDA-70551-**** SHEET NO. 1 OF 2					
1 PLACE ± 0.25 ± ---		AAB 1993/05/13							
0 PLACE ± --- ± ---		APPROVED BY DATE		THIS DRAWING CONTAINS INFORMATION THAT IS PROPRIETARY TO MOLEX INCORPORATED AND SHOULD NOT BE USED WITHOUT WRITTEN PERMISSION					
ANGULAR ±1/2°		SMILLER 2010/11/23							
DRAFT WHERE APPLICABLE MUST REMAIN WITHIN DIMENSIONS		MATERIAL NO.							
		SEE TABLE							

	13	12	11	10	9	8	7	6	5	4	3	2	1
J	CIRCUIT SIZE	ENGINEERING NUMBER A-70551		D	E	MATING AREA FINISH	PC TAIL AREA FINISH						
	2-25	-0001-0024		(3.30) .130	(6.10) .240	BRIGHT TIN	BRIGHT TIN						
	2-25	-0036-0059		(3.30) .130	(6.10) .240	15 GOLD	TIN						
I	2-25	-0071-0094		(3.30) .130	(6.10) .240	30 GOLD	TIN						
	2 & 4	-3001,-3003		(3.30) .130	(6.10) .240	MATTE TIN	MATTE TIN						
H													

CKTS	MATERIAL NO	MATERIAL NO	MATERIAL NO	MATERIAL NO					CKTS
02	70551-0001	70551-0036	70551-0071	70551-3001					02
03	70551-0002	70551-0037	70551-0072						03
04	70551-0003	70551-0038	70551-0073	70551-3003					04
05	70551-0004	70551-0039	70551-0074						05
06	70551-0005	70551-0040	70551-0075						06
07	70551-0006	70551-0041	70551-0076						07
08	70551-0007	70551-0042	70551-0077						08
09	70551-0008	70551-0043	70551-0078						09
F	10	70551-0009	70551-0044	70551-0079					10
	11	70551-0010	70551-0045	70551-0080					11
	12	70551-0011	70551-0046	70551-0081					12
	13	70551-0012	70551-0047	70551-0082					13
	14	70551-0013	70551-0048	70551-0083					14
	15	70551-0014	70551-0049	70551-0084					15
E	16	70551-0015	70551-0050	70551-0085					16
	17	70551-0016	70551-0051	70551-0086					17
	18	70551-0017	70551-0052	70551-0087					18
	19	70551-0018	70551-0053	70551-0088					19
	20	70551-0019	70551-0054	70551-0089					20
	21	70551-0020	70551-0055	70551-0090					21
D	22	70551-0021	70551-0056	70551-0091					22
	23	70551-0022	70551-0057	70551-0092					23
	24	70551-0023	70551-0058	70551-0093					24
	25	70551-0024	70551-0059	70551-0094					25

SEE SHEET 1 EC NO: UCP2017-2006 DRW: DRWKSAMIEC 2017/03/14 CHKD: APPR: FSMITH 2017/03/14	QUALITY SYMBOLS	GENERAL TOLERANCES (UNLESS SPECIFIED)	DIMENSION STYLE	SCALE	DESIGN UNITS	THIRD ANGLE PROJECTION
	▽=0	mm INCH	MM/IN		INCH	
	▽=0	4 PLACES ± --- ± ---	DRAWN BY DATE	TITLE		
	▽=0	3 PLACES ± --- ±.005	AAB 1993/05/13	SL RIGHT ANGLE HEADER W/LATCH & SPLIT PEGS (2.54)/.100 CENTERS		
	2 PLACES ± 0.13 ±.010	CHECKED BY DATE				
	1 PLACE ± 0.25 ± ---	AAB 1993/05/13				
	0 PLACE ± --- ± ---	APPROVED BY DATE	DOCUMENT NO.			
	ANGULAR ±1/2°	SMILLER 2010/11/23	SDA-70551-****			
	DRAFT WHERE APPLICABLE MUST REMAIN WITHIN DIMENSIONS	MATERIAL NO.	SHEET NO.			
		SEE TABLE	2 OF 2			
		THIS DRAWING CONTAINS INFORMATION THAT IS PROPRIETARY TO MOLEX INCORPORATED AND SHOULD NOT BE USED WITHOUT WRITTEN PERMISSION				