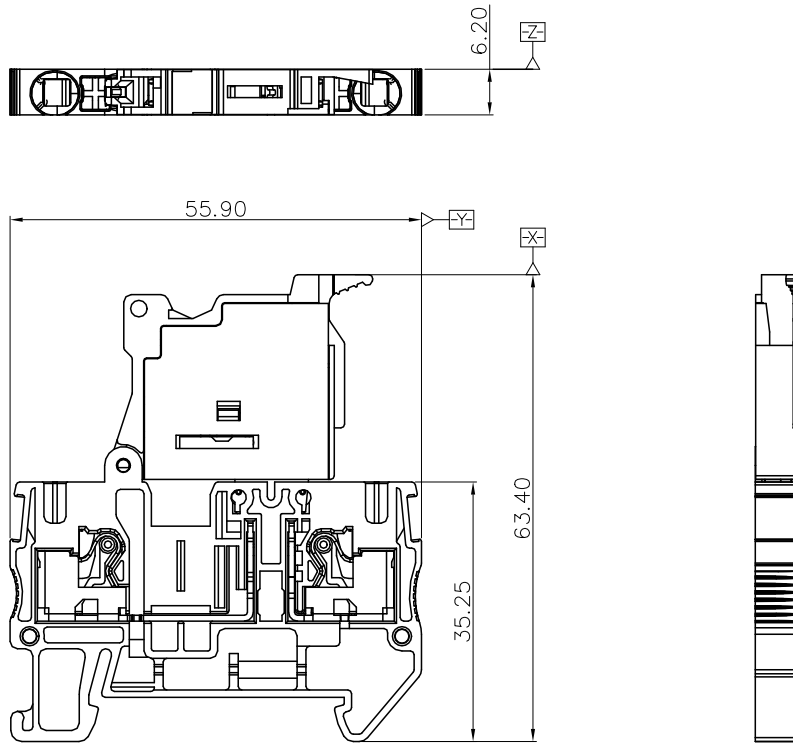


Transmittal, reproduction, dissemination and/or editing of this document as well as utilization of its contents and communication thereof to others without express authorization are prohibited.  
未经允许禁止传输、复制、编辑该文档，以及利用其内容进行交流

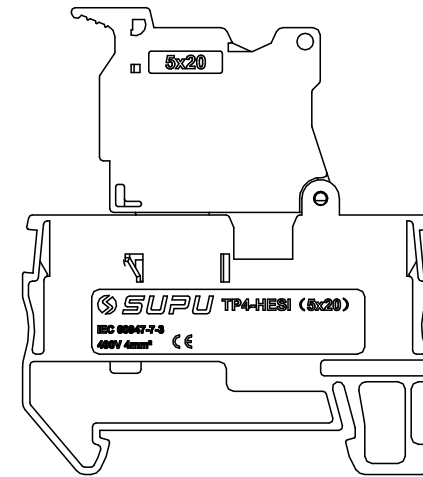
REVISION RECORD

REV	ECN	DESCRIPTION	DRFT	DATE



Connection method:

1. For Solid wire, peel wire in right length, push down the wire.
2. For flexible wire, peeling wire in right length, pushdown the key & fix the wire, or wire furrled and fix then.



HOW TO ORDER:

TP4-HESI(5x20)-XX

Series No.      Color:  
BK: Black  
GY: Grey  
BU: Blue  
OG: Orange

NOTES:

UL/CUL Standard

1. Conductor cross section : 24~10AWG
2. Rated Voltage/Current :

Use group	B	C	D
Rated voltage(V)	300	300	
Rated current(A)	6.3	6.3	

Material:

Insulator	PA66	UL94 V-0
Conductor	Copper alloy	Sn Plated
Spring	Stainless steel	
Button	PA66	UL94 V-0

IEC Standard

1. Conductor cross section :

Wire range(Solid/Stranded)	0.2-4mm <sup>2</sup>
Solid	0.2-6mm <sup>2</sup>
Stranded	0.2-4mm <sup>2</sup>
Stranded with ferrules without plastic sleeve	0.2-4mm <sup>2</sup>
Stranded with ferrules with plastic sleeve	0.2-4mm <sup>2</sup>

General information:

1. Dimension shall be interpreted per ASME Y14.5-2009
2. Stripping length : 10~12mm
3. Operating temperature: -40°C~+105°C
4. RoHS Compliance
5. Undimensioned Tolerances:

Pitch Range In mm	Nominal Dimension Range In mm							0.1/10
	Over 6	Over 10	Over 24	Over 30	Over 60	Over 100	Over 150	
TO	TO	TO	TO	TO	TO	TO	TO	<
±0.15	±0.20	±0.30	±0.30	±0.50	±0.70	±1.00	±1.30	±2'

2. Rated Voltage/Current :

Surge voltage category	III
Pollution degree	3
Rated surge voltage(KV)	6
Rated voltage(V)	400
Rated current(A)	6.3

借通用件登记  
Common Part

原图号  
Old Draw. No.

底图总号  
Assembly No.

订货号 Order No.	TP4-HESI (5x20)-BK	名称 Name	TP系列-正面接线-02P-4mm <sup>2</sup> 悬臂式保险丝不带灯端子	未注公差 Tolerance	表面处理 Surface	
项目 Item	签字 Signature	日期 Date	图号 Drawing No.	Tolerances Table	VDI21	
设计 Design	QLD	11/21/22"	物料 Material	版本号 Revision Number	重量 Weight	比例 Scale
审核 Check	DF	11/21/22"	物料号 Item No.	T0-1	/	1:1
工艺 Process	-	-	物料号 Item No.	第1页/共1页 1 of 1	mm	
标准化 Unify	-	-	411520127	SUPU 宁波速普电子有限公司		
批准 Approve	LWL	11/21/22"		NINGBO SUPU ELECTRONICS CO.,LTD.		

1

2

3

4

5

6

7

8