

Data sheet

Commercial Art.No.: 96.050.1153.1

Distributor RST20i5B 2P1 F VG SW

RST20i5 compact distribution unit, 5 pole, application 250/400V with PE, 20A, 1 input and 2 outputs, with fastening option, coding color black, color of housing black



Commercial Art.No.	96.050.1153.1
EAN	4015573936461
Order Unit	1

Certificates / Approvals



Technical data

General

Rated current	20 A
Rated voltage	250 V / 400 V
Rated impulse voltage	4 kV
Pollution degree	3
Lockable	self-locking (unlocking by tool)
Color of coding/ contact carrier	black
Color of separate housing (only for modular versions)	black
Marking of poles	1, 2, 3, N, PE

Model

Number of inputs	1
Number of outputs	2
Type of fastening	yes
Degree of protection (IP)	IP66/68 (3m;2h) /IP69
Type of distributor	Compact distributor

Material

Housing material	Polyamide
halogen free	yes
Contact material	CuZn
Fire load	1.852 kWh
Insulation components continuous temperature	100 °C
Surface finish	Silver-plated

Dimensions

Length	162 mm
--------	--------

Width	104 mm
Height	57.2 mm

Classification

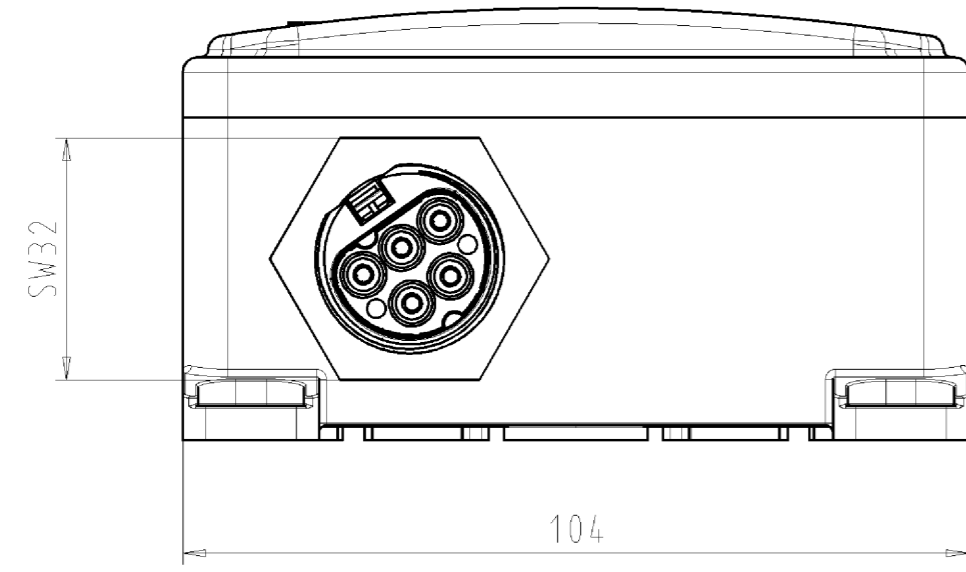
ECLASS 11	
ECLASS 8.1	27440603
ETIM 7.0	EC002567
ETIM 6.0	EC002567
ETIM 5.0	EC002567
ETIM 4.0	EC002567

Product compliance

ROHS conformity status	Compliant/Exempted
ROHS exceptions	III-6(c)
REACH-SVHC conformity status	Duty-To-Declare
REACH-SVHC substances	Lead
REACH-SVHC CAS numbers	7439-92-1

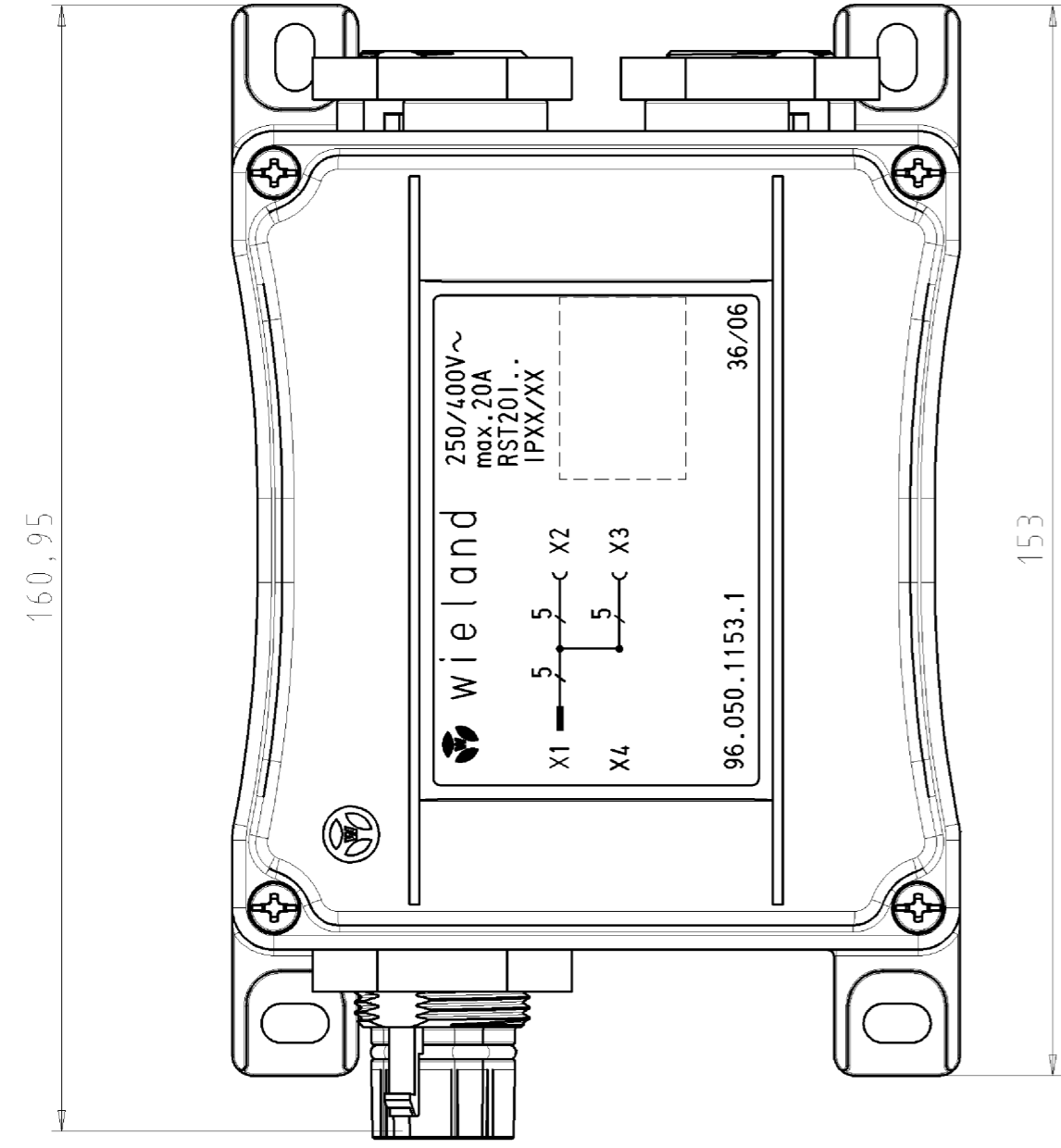
Accessories

Commercial Art.No.:	Article-type description:	Description:
05.565.9953.1	Cover for male connector SW	RST20i5/4 cover piece, for covering unused male connectors, color black
99.530.0000.7	Cover for female connector SW	RST20i5/4 cover piece, for covering unused female connectors, with fastening belt, color black
99.532.0000.7	Cover for male connector SW	RST20i5/4 cover piece, for covering unused male connectors, with fastening belt, color black
Z5.565.9853.1	Cover for female connector SW	RST20i5/4 cover piece, for covering unused female connectors, color black



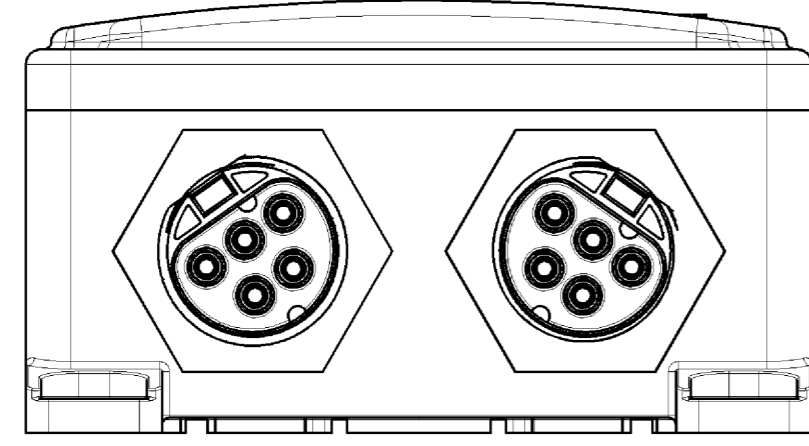
X2

X3

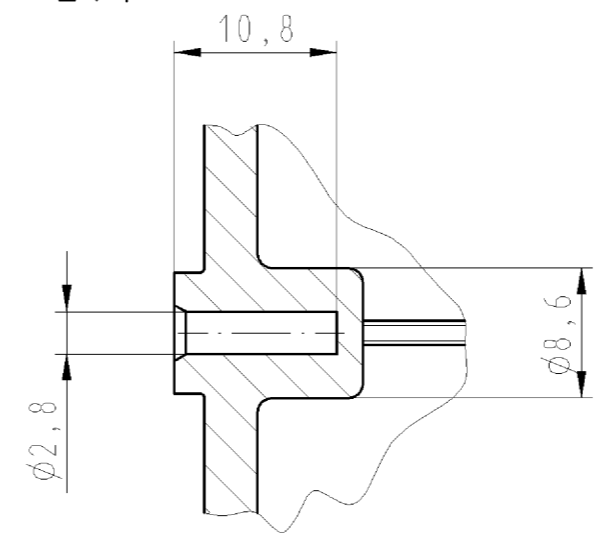


X1

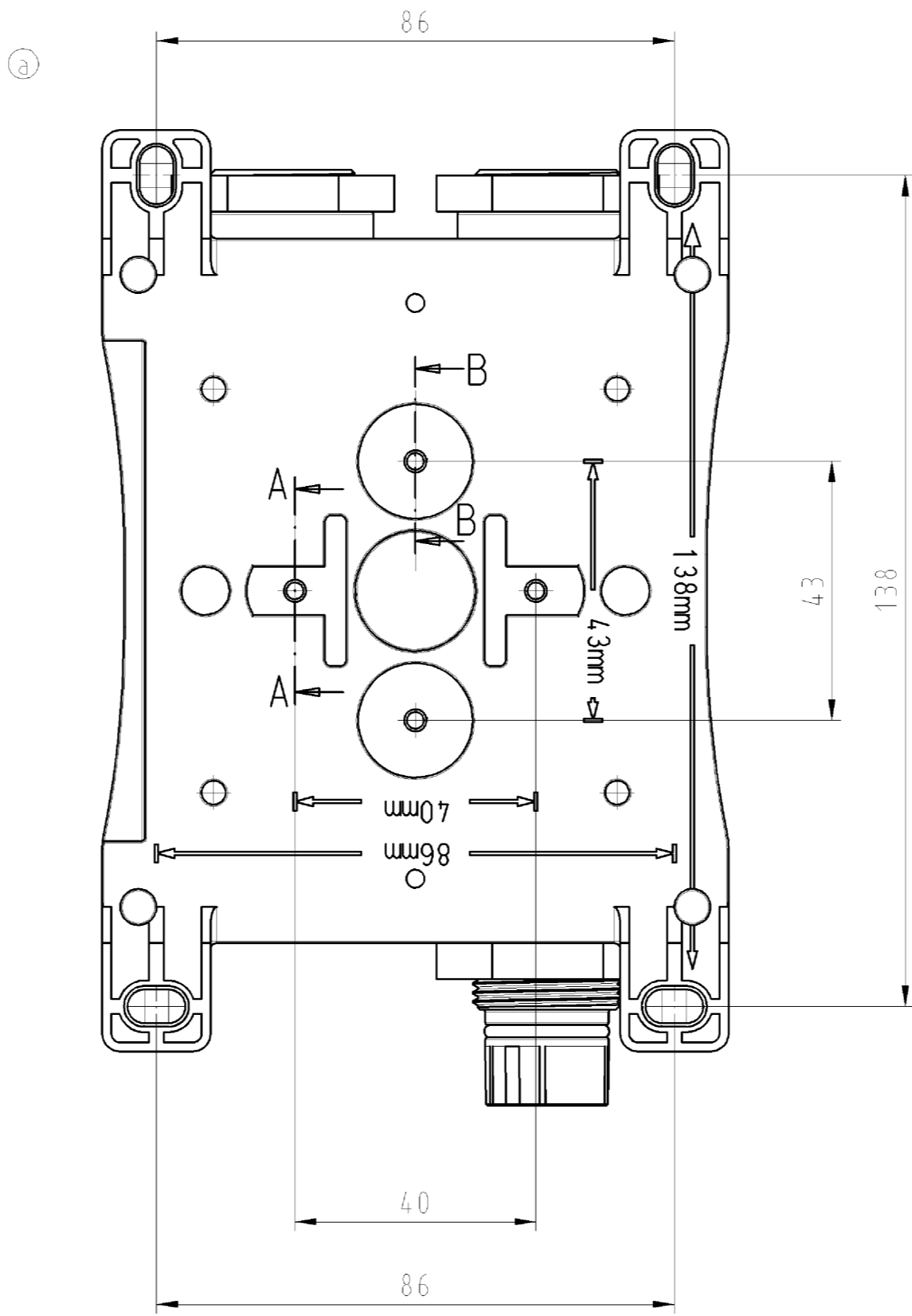
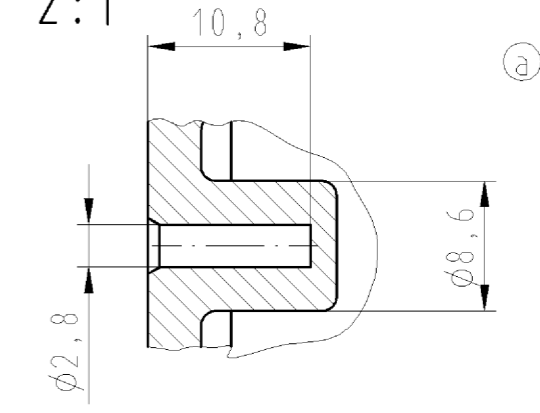
X4



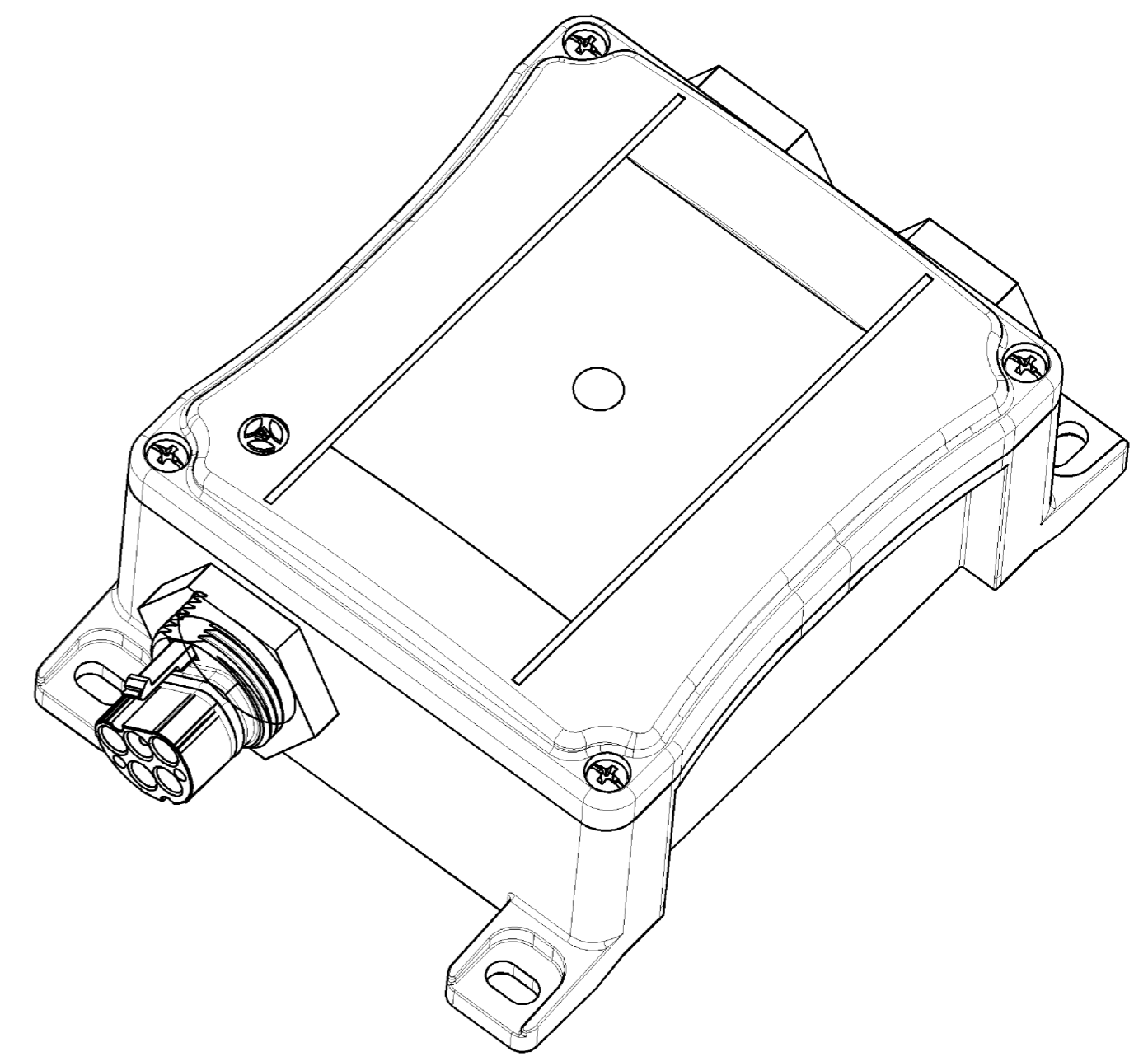
A-A
2:1



B-B
2:1



Type: RST2015V 2P1 F G SW



Tolerierung nach DIN 7167/Tolerance system acc. to DIN 7167. (This DIN-standard describes the envelope principle. According to the envelope principle the deviations of form and parallelism are limited by the size tolerances).		ja/yes <input type="checkbox"/> Stoffverhalts- und Deklarationsliste nach UU-TQM-05/03 ist einzuhalten. Conformity with Wieland document UU-TQM-05/03 (list of prohibited / delectable hazardous substances) to be declared!	
Freitoleranz nach General tolerance		CAD - Zeichnung, keine manuellen Änderungen EAD - drawing, no manual modifications allowed	
1. Verwendung: -		Blatt: 1 von 1 Sheet: 1 of 1	
Werkstoff/Material		2006	Tag/Date
gezeichnet drawn		25.09.	Kneitz
geprüft checked		-	-
Werkzeug/ Tool		-	-
Stand./check		-	-
Zeichnung Nr./Drawing No.		96.050.1153.1 01K a	
Maße in mm/Dimensions are in mm			
wieland		Type	
Elektrische Verbindungen		Benennung/Title	
VERTEILERBOX		distribution box für RST/for RST	
Datum / Blatt Date / Sheet		07.02.2007/	
Änderung/Revision		a	

Weitergabe sowie Vervielfältigung dieses Dokuments, Verwertung und Mitteilung seines Inhalts sind verboten, soweit nicht ausdrücklich gestattet. Die Reproduktion, Distribution und Nutzung dieses Dokumentes sowie die Kommunikation des Inhalts zu anderen without express authorization is prohibited.

960501153101K_4 CAD/1019 Kneitz 2007-02-07/09:55:54 1:000