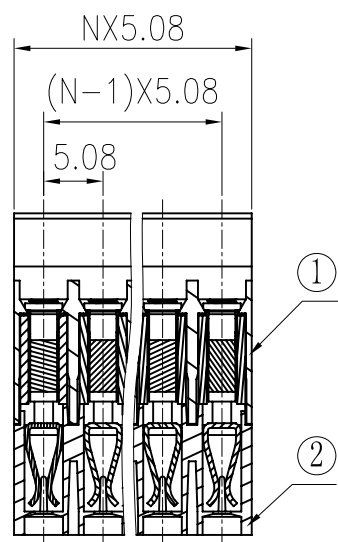
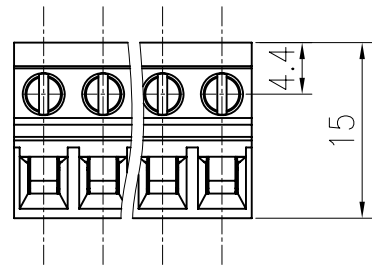
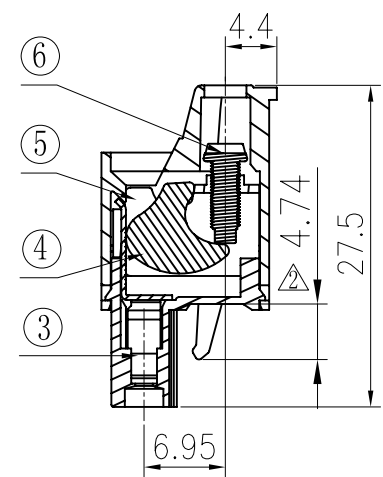


REVISION RECORD					
REV	ECO	DESCRIPTION	DRFT	DATE	
△		品名、料号增加环保标示“(H)”	LJH	12/11/07	H
△		增加卡扣大小及位置标注	LJH	03/17/08	G
△		增加CE、UL刻字	LJH	03/20/08	F



Section P-P

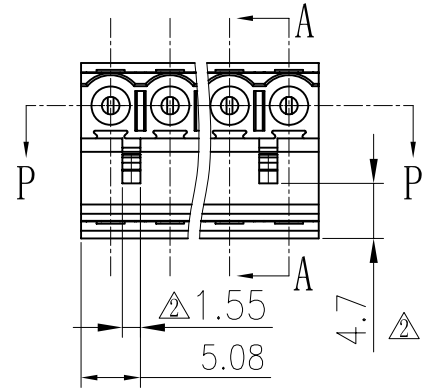
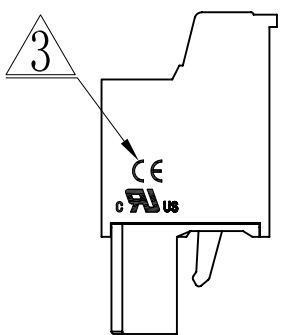
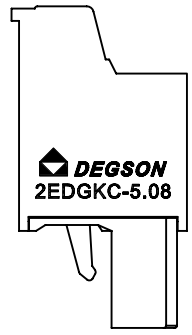


Section A-A

Notes:

1. Pitch: 5.08mm, Poles: 2-24P
2. Rated voltage/current : UL 300V/10A  
IEC 250V/24A
3. Operation temperatures: -40° C ~ +105° C
4. Withstanding voltage : AC2000V/1Min
5. Insulation resistance: 5000MΩ / DC1000V
6. Wire Range: 30~12AWG , 2.5mm<sup>2</sup>
7. Max. Torque Value: M2.5 , 4.08kgf.cm
8. Undimensioned Tolerances:

Pitch range in mm		Nominal dimension range in mm					—	
to 6	over 6 to 10	over 10 to 24	to 30	over 30 to 60	over 60 to 100	over 100 to 150	∩	
±0.10	±0.15	±0.25	±0.2	±0.3	±0.5	±0.7	±1.0	0.05/10



ITEM	NAME OF PART	NO. OF PART	Q"TY	MATERIAL	NOTES
4	2EDGKC-Block	X000001720 (H)	XX	Steel	Cr <sup>3+</sup> Zn
3	2EDGKC-Clamp	1091B00010 (H)	XX	Phosphor bronze	SnCe plated
2	2EDGKC-5.08 Cover	1091COYXXA (H)	1	PA66	UL94V-0
1	2EDGKC-5.08 Housing	1091AOYXXA (H)	1	PA66	UL94V-0

DETACHED LISTS	MM (INCH)	DFTO Yangys	DATE 12/28/06"	宁波高正电子有限公司 DEGSON ELECTRONICS CO., LTD
	TOLERANCES EXCEPT AS NOTED	CHKD	DATE	
		MFO	DATE	
		APPVL	DATE	
	MM			NAME
	.0 ±	±		2EDGKC-5.08-XXP-1Y-00A (H)
	.00 ±	±		DRAWING NO. 2EDGKC-5.08-E01
	.000 ±	±		/PART NO.
	ANGLES ± 1°	G.E. :		SIZE A3
	THIRD ANGLE PROJECTION	FINISH :		REV T3
		SCALE : 1:1		03/20/08"
		DO NOT SCALE DRAWING		SHEET 1 OF 1

6	2EDGKC Screw-M2.5	S000002150 (H)	XX	Steel	Cr <sup>3+</sup> Zn
5	2EDGKC-Cage	X000001710 (H)	XX	Steel	Cr <sup>3+</sup> Zn