

Data sheet

Commercial Art.No.: X6.031.6053.1

device connector RST20I3SXB1 M00 SW

RST® CLASSIC ATEX device connector, modular, straight, M20, number of poles 3, model female, connection type screw connection, rated voltage 250 V, rated current 20 A, color of coding/ contact carrier black



Commercial Art.No.	X6.031.6053.1
EAN	4015573987470
Order Unit	1

certificates / approvals

SEV-Ex

Technical data

general

rated current	20 A
rated voltage	250 V
pollution degree	3
rated impulse voltage	4 kV
continuity resistor	0.55 mOhm
lockable	self-locking (unlocking by tool)
color of coding/ contact carrier	black
Pole codification	L, N, PE
color of separate adapter (if present)	black
explosion-tested version	yes

connection data

connection cross section solid mm ² max.	4 mm ²
connection cross section solid mm ² min.	1.5 mm ²
connection cross section fine stranded mm ² max.	4 mm ²
connection cross section fine stranded mm ² min.	1.5 mm ²
terminations per pole	1
wire strip length	8 mm

model

model	female
connection type	screw connection
connecting thread metric	M20
angle of plug	straight
degree of protection (IP)	IP66/68 (3m;2h) /IP69

thickness of housings (electrical device)	0.5 mm
thickness of housings (electrical device)	8 mm

material

housing material	polyamide
halogen free	yes
contact material	CuZn
fire load	0 kWh/St
insulation components continuous temperature	100 °C
surface finish	silver-plated

dimensions

length	68.2 mm
width	35 mm
height	35 mm

note

note	RST® terminals with screw clamping allow the connection of conductors without special preparation (without ferrules) according to EN 60999-1.; positioning realised with flattened thread
------	---

classification

ECLASS 11	
ECLASS 8.1	27440602
ETIM 9.0	EC002566
ETIM 8.0	EC002566
ETIM 7.0	EC002566
ETIM 6.0	EC002566
ETIM 5.0	EC002566
ETIM 4.0	EC002566

product compliance

ROHS conformity status	compliant/exempted
ROHS exceptions	III-6(c)
REACH-SVHC conformity status	Duty-To-Declare
REACH-SVHC substances	Lead
REACH-SVHC CAS numbers	7439-92-1

Accessories

Commercial Art.No.:	Article-type description:	Description:
99.414.6205.2	cover for female connector SW	RST20i3/2 cover piece, for covering unused female connectors, with fastening belt, color black
Z5.564.4553.1	cover for female connector SW	RST20i3/2 cover piece, for covering unused female connectors, color black

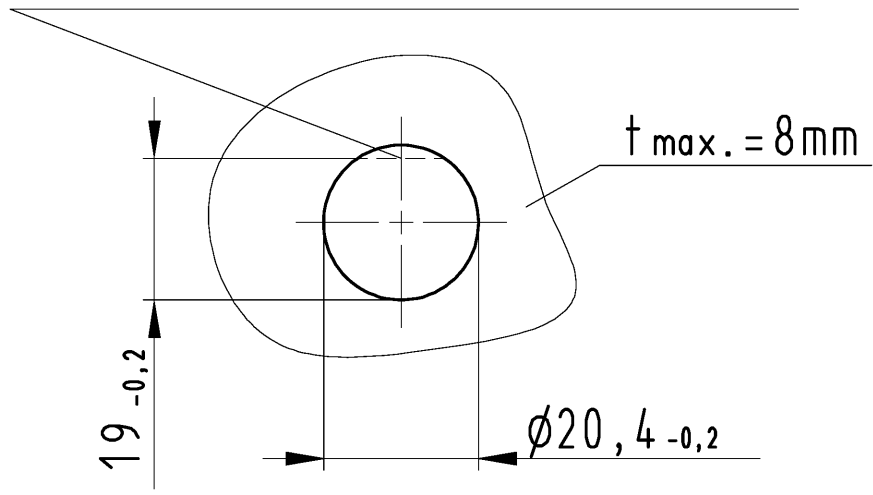
Fits with

Commercial Art.No.:	Article-type description:	Description:

X6.032.4053.1	connector RST20I3SXS1 ZR1 V SW	RST® CLASSIC ATEX connector, straight, number of poles 3, male, connection type screw connection, rated voltage 250 V, rated current 20 A, cable diameter 6 - 10 mm, color of coding/ contact carrier black
X6.032.4153.1	connector RST20I3SXS1 ZR2 V SW	RST® CLASSIC ATEX connector, straight, number of poles 3, male, connection type screw connection, rated voltage 250 V, rated current 20 A, cable diameter 10 - 14 mm, color of coding/ contact carrier black
X6.032.4553.1	connector RST20I3SXS1 ZR3 V SW	RST® CLASSIC ATEX connector, straight, number of poles 3, male, connection type screw connection, rated voltage 250 V, rated current 20 A, cable diameter 13 - 18 mm, color of coding/ contact carrier black

M20 & M16 7°

wahlweise Verdrehsicherung
optional protection against twisting



Bitte beachten:

Gehäusematerial, Wandstärken, Lackierung und Entgratung können die Passgenauigkeit beeinflussen.

Please note:

Panel material and thickness, deburring and coating thickness may influence the cut out dimension.

These dimensions will be especially checked at delivery
Only inspection dimensions
With /E marked dimensions are only valid for internal use

Diese Maße werden bei Abnahme besonders geprüft
Ausschließlich Prüfmaße
Mit /E gekennzeichnete Maße sind nur für interne Zwecke gültig

Weitergabe sowie Vervielfältigung dieses Dokuments, Verwertung und Mitteilung seines Inhalts sind verboten, soweit nicht ausdrücklich gestattet. Die Reproduktion, Distribution und Utilization of this document as well as the communication of its contents to others without express authorization is prohibited.

Tolerierung Size ISO 14405(E)/Tolerance system Size ISO 14405(E). (This ISO-standard describes the envelope principle. According to the envelope principle the deviations of form and parallelism are limited by the size tolerances).				ja/yes <input checked="" type="checkbox"/> Stoffverbots- und Deklarationsliste nach WN 5020.010 ist einzuhalten. Conformity with Wieland document WN 5020.010 e (list of prohibited / declarable hazardous substances) to be declared!						
Freitoleranz nach General tolerance		CAD - Zeichnung, keine manuellen Änderungen CAD - drawing, no manual modifications allowed		1.Verwendung: - First Use:		Blatt: 1 von 1 Sheet: 1 of 1				
/		Werkstoff/Material		2015	Tag/Date	Name		Zeichnung Nr./Drawing No.		Index
/		Maßstab/Scale 1:1		gezeichnet drawn	11.06.	Dütsch T.		96.031.2053.1 14K		
/				geprüft checked	-	-				
/				Normgepr. Stand. check	-	-				
/		Vol. mm ³ OfI./Surf. mm ²		Ersatz für/Replacement for: -						
/		 wieland www.wieland-electric.com		Type		Benennung/Title OPENING DIMENSION OEFFNUNGSMASSBILD				
/				Geräteanschluss / device connectors		M20 & M16 7°				
Index				Datum / Blatt Date / Sheet						
Änderung/Revision										