

SURFACE MOUNT COIN CELL HOLDERS



Available on Tape and Reel

SMT Design - Holders for 20mm and 23mm Lithium Coin Cell Batteries

- Temp. range -60°F to +540°F (-50°C to +282°C)
- Ideal for memory back-up applications
- Polarity clearly marked (+)
- UL approved material, 94V-0
- Rugged construction, light weight
- Compatible with vacuum and mechanical pick & place assembly systems
- Low profile for high density packaging
- SMT solder tail with "Flow-Hole" design for increased joint strength
- Viewable solder tails assures reliable joint inspection
- Safe for all soldering & reflow operations
- All conductive polystyrene carrier tape meets ANSI/EIA - 481 standard

SMALL PAD PATTERN

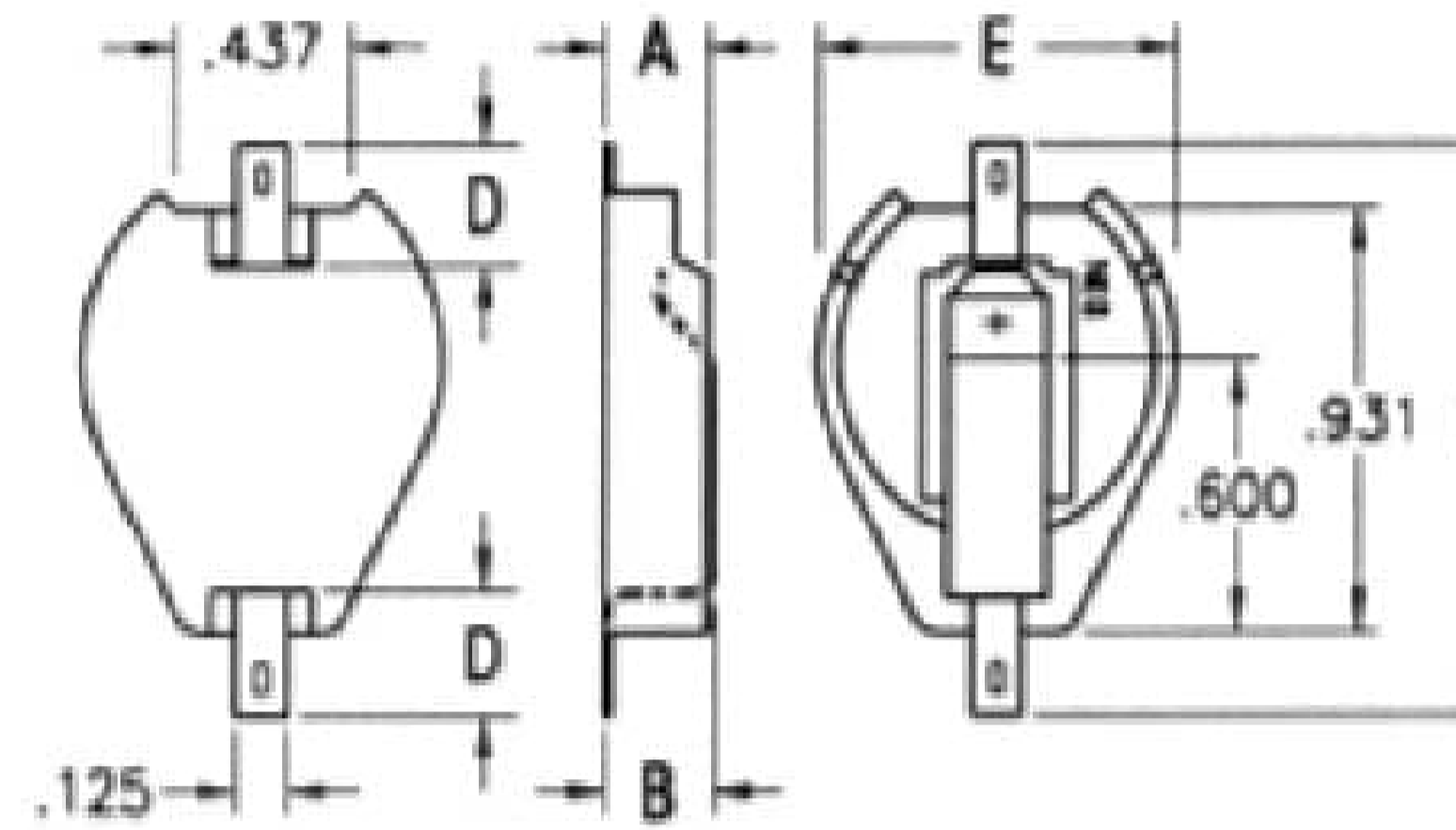
CAT. NO.	ON TAPE	CELLS	A	B	C	D	E	CELL	BATTERY
1061	1061TR	1	.256	.290	1.015	.156	.896	20mm	2016*, 2020, 2025, 2032
1062	1062TR	2	.375	.406	1.015	.156	.896		
1071	1071TR	1	.256	.290	1.015	.156	1.000	23mm	2320, 2325, 2330

*Cat. No. 1061 (1 or 2 cells); Cat. No. 1062 (3 cells)

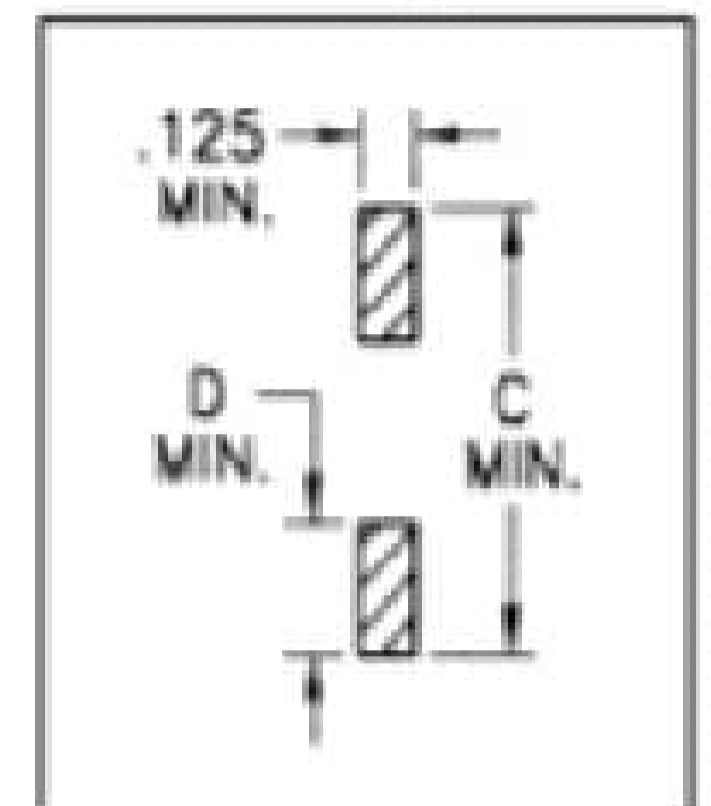
LARGE PAD PATTERN

CAT. NO.	ON TAPE	CELLS	A	B	C	D	E	CELL	BATTERY
1063	1063TR	1	.256	.290	1.250	.278	.896	20mm	2016*, 2020, 2025, 2032
1064	1064TR	2	.375	.406	1.250	.278	.896		
1073	1073TR	1	.256	.290	1.250	.278	1.00	23mm	2320, 2325, 2330

*Cat. No. 1063 (1 or 2 cells); Cat. No. 1064 (3 cells)



Pad Layout



MATERIAL: Contacts: .015 Steel, Tin Plate Base: Nylon, Stanyl-46

Tape & Reel Spec's: 44mm wide; 32mm pitch; 13 inch reel (200 pieces per reel)

31-07 20th Road • Astoria, New York 11105-2017 • (718) 956-8900 • FAX (718) 956-9040
 e-mail: kec@keyelco.com • WebSite: keyelco.com

KEYSTONE