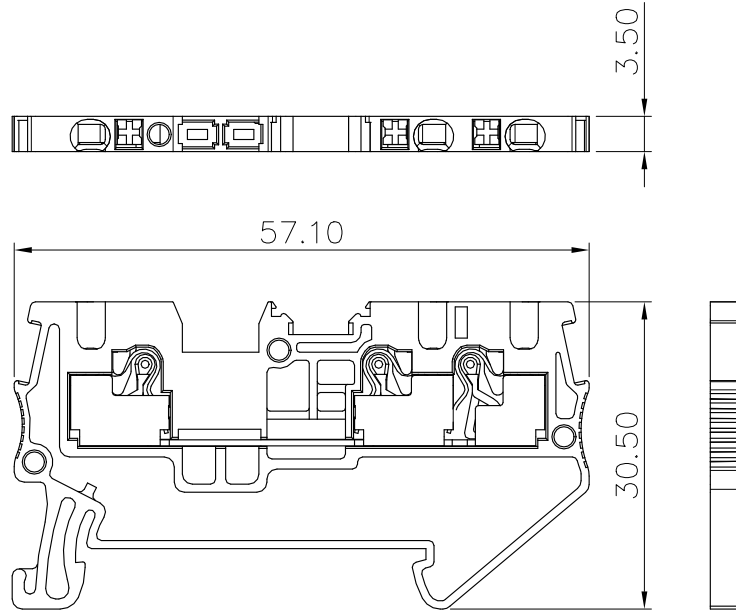


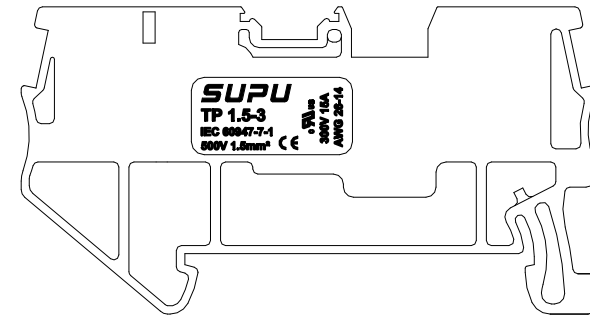
Transmittal, reproduction, dissemination and/or editing of this document as well as utilization of its contents and communication thereof to others without express authorization are prohibited.

未经允许禁止传输、复制、编辑该文档，以及利用其内容进行交流

REVISION RECORD				
REV	ECN	DESCRIPTION	DRFT	DATE



Connection method:  
 1. For Solid wire, peel wire in right length, push down the wire.  
 2. For flexible wire, peeling wire in right length, pushdown the key & fix the wire, or wire furrled and fix then.



**NOTES:**

UL/CUL Standard

1. Conductor cross section : 26~14AWG

2. Rated Voltage/Current :

Use group	B	C	D
Rated voltage(V)	300	300	
Rated current(A)	15	15	

IEC Standard

1. Conductor cross section :

Wire range(Solid/Stranded)	0.2-1.5mm <sup>2</sup>
Solid	0.2-1.5mm <sup>2</sup>
Stranded	0.2-1.5mm <sup>2</sup>
Stranded with ferrules without plastic sleeve	0.2-1.5mm <sup>2</sup>
Stranded with ferrules with plastic sleeve	0.2-1.0mm <sup>2</sup>

2. Rated Voltage/Current :

Surge voltage category	III
Pollution degree	3
Rated surge voltage(KV)	6
Rated voltage(V)	500
Rated current(A)	17.5

Material:

Insulator	PA66	PA66 V=0
Conductor	Copper alloy	Sn Plated
Spring	Stainless steel	

General information:

- Dimension shall be interpreted per ASME Y14.5-2009
- Stripping length : 8~10mm
- Operating temperature: -40°C~+105°C
- RoHS Compliance
- Undimensioned Tolerances:

Pitch Range In mm	Nominal Dimension Range In mm							∓	∟	∇
	Over 6 TO 10	Over 10 TO 24	Over 30 TO 30	Over 60 TO 60	Over 100 TO 100	Over 150 TO 150	0.1/10			
	±0.15	±0.20	±0.30	±0.30	±0.50	±0.70	±1.00	±1.30	±2'	

HOW TO ORDER:

TP1.5-3-XX

Series No.      Color:  
 GY: Grey  
 BU: Blue  
 OG: Orange

借通用件登记  
Common Part

原图号  
Old Draw. No.

底图总号  
Assembly No.

订货号 Order No.	TP1.5-3-XX		名称 Name	TP系列直插式弹簧 1.5mm <sup>2</sup> 一进两出 接线端子	未注公差 Tolerance	表面 Surface	
项目 Item	签字 Signature	日期 Date	图号 Drawing No.	PRM001418	Tolerances Table	VDI21	
设计 Design	dfz	11/12/19	材料 Material	Notes	版本号 Revision Number	重量 Weight	比例 Scale
审核 Check	cw	11/12/19	物料号 Item No.	412200001 (GY)	M3	/	1:1
工艺 Process	-	-		412200002 (OG)	第1页/共1页 1 of 1	⊕ ⊖ mm	
标准化 Unify	-	-		412200003 (BU)	<b>SUPU 宁波盛普电子有限公司</b> <b>NINGBO SUPU ELECTRONICS CO.,LTD.</b>		
批准 Approve	lw1	11/12/19					

1

2

3

4

5

6

7

8

A

B

C

D

E

F