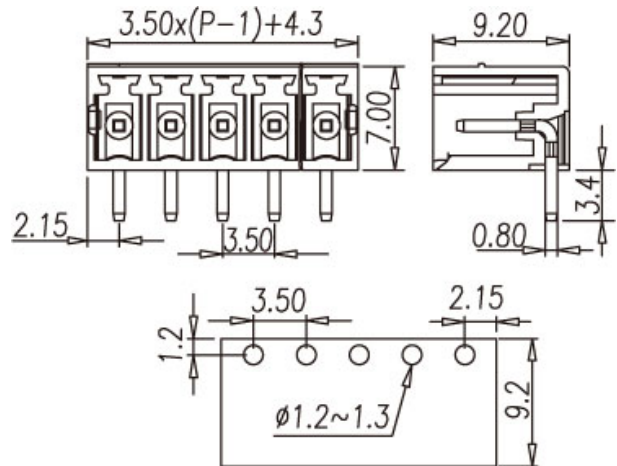




Headers(Sockets) for pluggable terminal blocks / ECH & EHD series



ECH350R



Pitch: 3.50mm

Approval	 	
Technical Data	UL	IEC
Rated voltage	300V	320V
Rated current	8A	14A
Conductor cross-section, solid (AWG/ mm ²)		
Conductor cross-section, flexible (AWG/ mm ²)		
Rated surge voltage (UL/IEC/Max.)	1.6 / 2.5 / 3 KV	
Torque (N-m)		
Screw		
Wire strip length		
Pole	Cat. No.	
02	ECH350R-02P	
:	:	
:	:	
24	ECH350R-24P	

TEL: +886-2-2908-0614

FAX: +886-2-2908-8549

E-mail: info@dinkle.com.tw