



Features:

- Isolated mounting base 2500V~
- Solder joint technology with Increased power cycling capability
- Space and weight saving

Typical Applications

- Inverter
- Inductive heating
- Chopper

V_{RSM}	V_{RRM}	Type & Outline
900V	800V	MDS100-08-232H5
1100V	1000V	MDS100-10-232H5
1300V	1200V	MDS100-12-232H5
1500V	1400V	MDS100-14-232H5
1700V	1600V	MDS100-16-232H5
1900V	1800V	MDS100-18-232H5

SYMBOL	CHARACTERISTIC	TEST CONDITIONS	$T_j(^{\circ}C)$	VALUE			UNIT
				Min	Type	Max	
I_o	DC output current	Three-phase full wave rectifying circuit, $T_c=100^{\circ}C$	150			100	A
I_{RRM}	Repetitive peak current	at V_{RRM}	150			8	mA
I_{FSM}	Surge forward current	10ms half sine wave	100			0.8	kA
I^2t	I^2t for fusing coordination	$V_R=0$				3.2	$A^2s \cdot 10^3$
V_{FO}	Threshold voltage		150			0.7	V
r_F	Forward slope resistance					4.5	$m\Omega$
V_{FM}	Peak forward voltage	$I_{FM}=100A$	25			1.30	V
$R_{th(j-c)}$	Thermal resistance Junction to case	Single side cooled				0.20	$^{\circ}C/W$
$R_{th(c-h)}$	Thermal resistance case to heatsink	Single side cooled				0.07	$^{\circ}C/W$
V_{iso}	Isolation voltage	50Hz,R.M.S,t=1min, $I_{iso}:1mA(max)$		2500			V
F_m	Terminal connection torque(M5)				4.0		N·m
	Mounting torque(M5)				4.0		N·m
T_{stg}	Stored temperature			-40		125	$^{\circ}C$
W_t	Weight	Outline :232H5			135		g
		Outline:218H5/219H5/220H5			150		g
Outline	218H5/219H5/220H5/232H5						

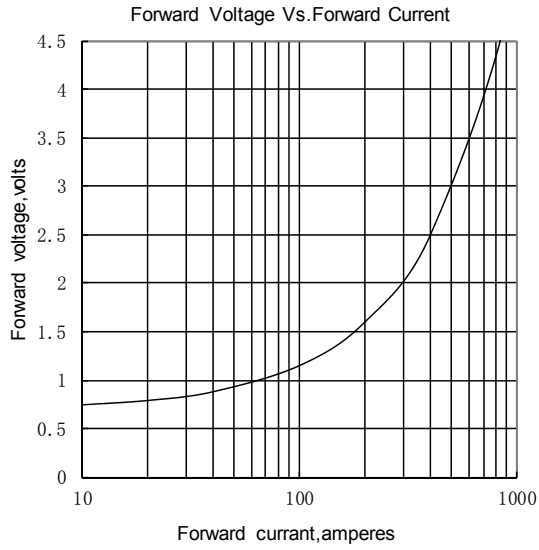


Fig.1

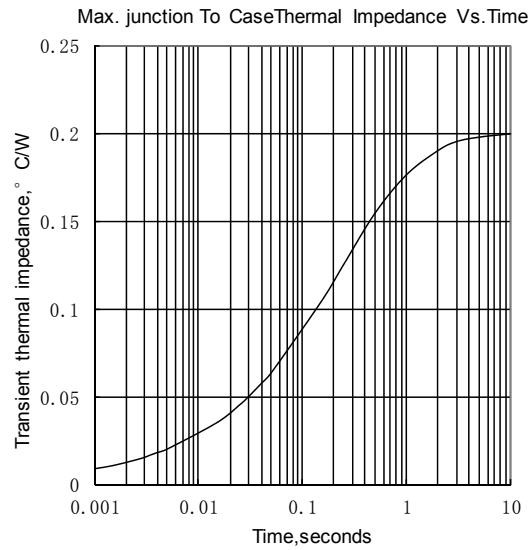


Fig.2

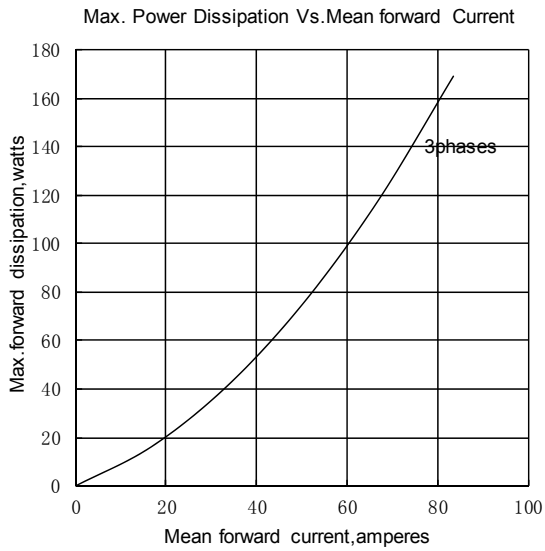


Fig.3

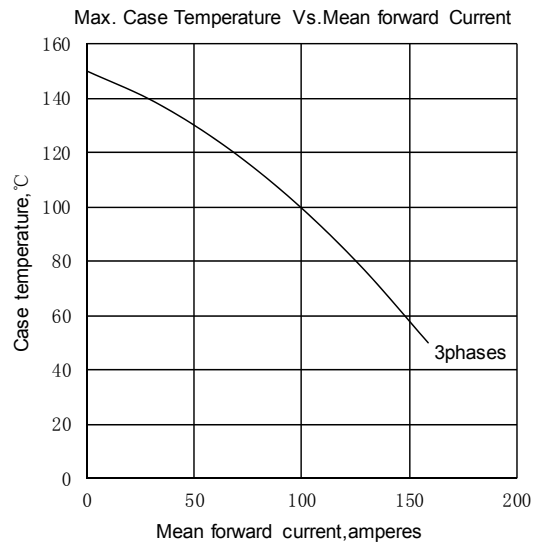


Fig.4

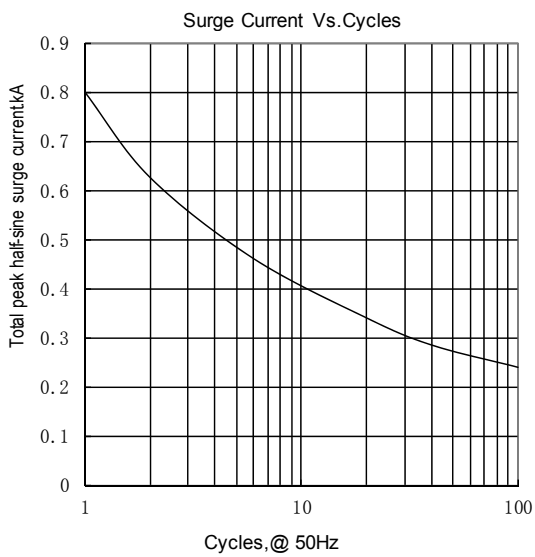


Fig.5

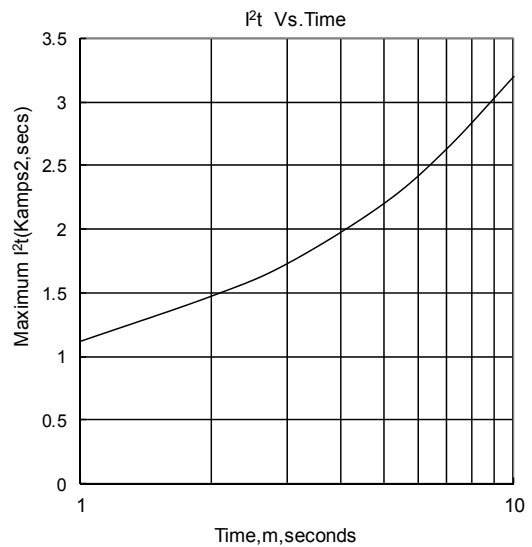
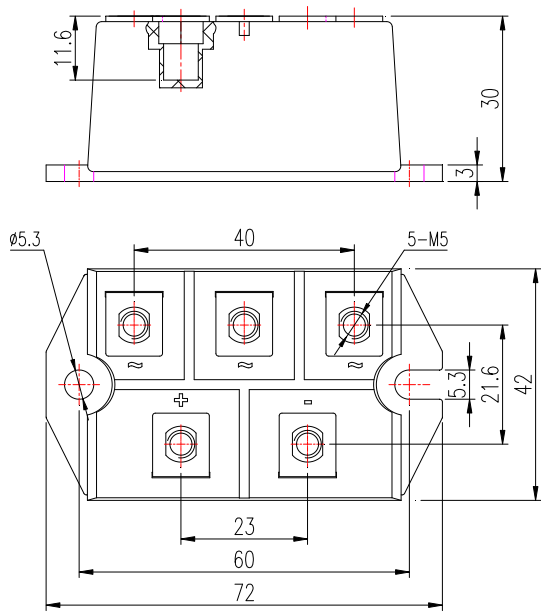
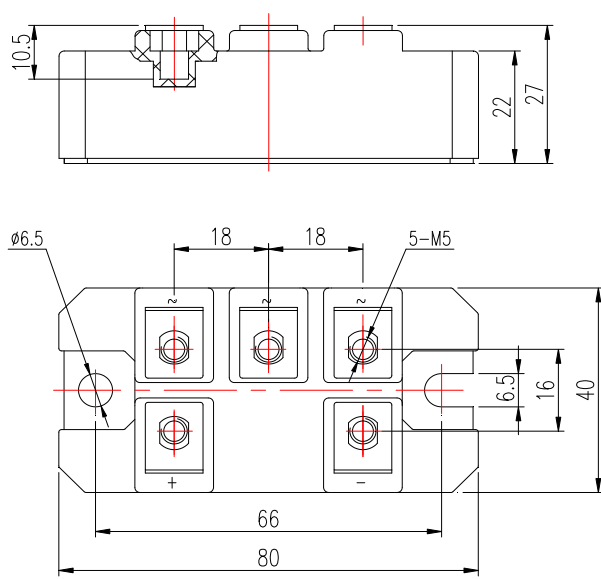


Fig.6

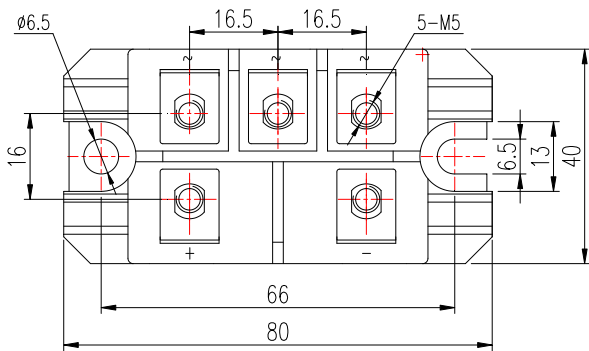
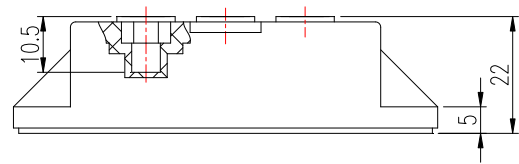
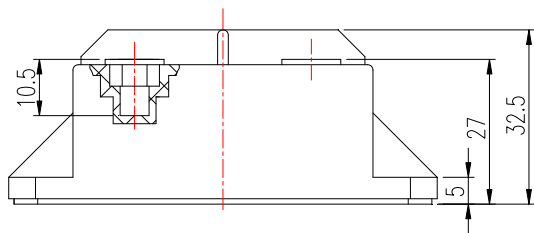
Outline:



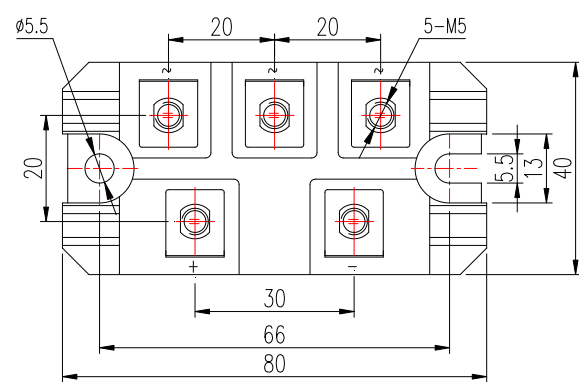
232H5



218H5



219H5



220H5

