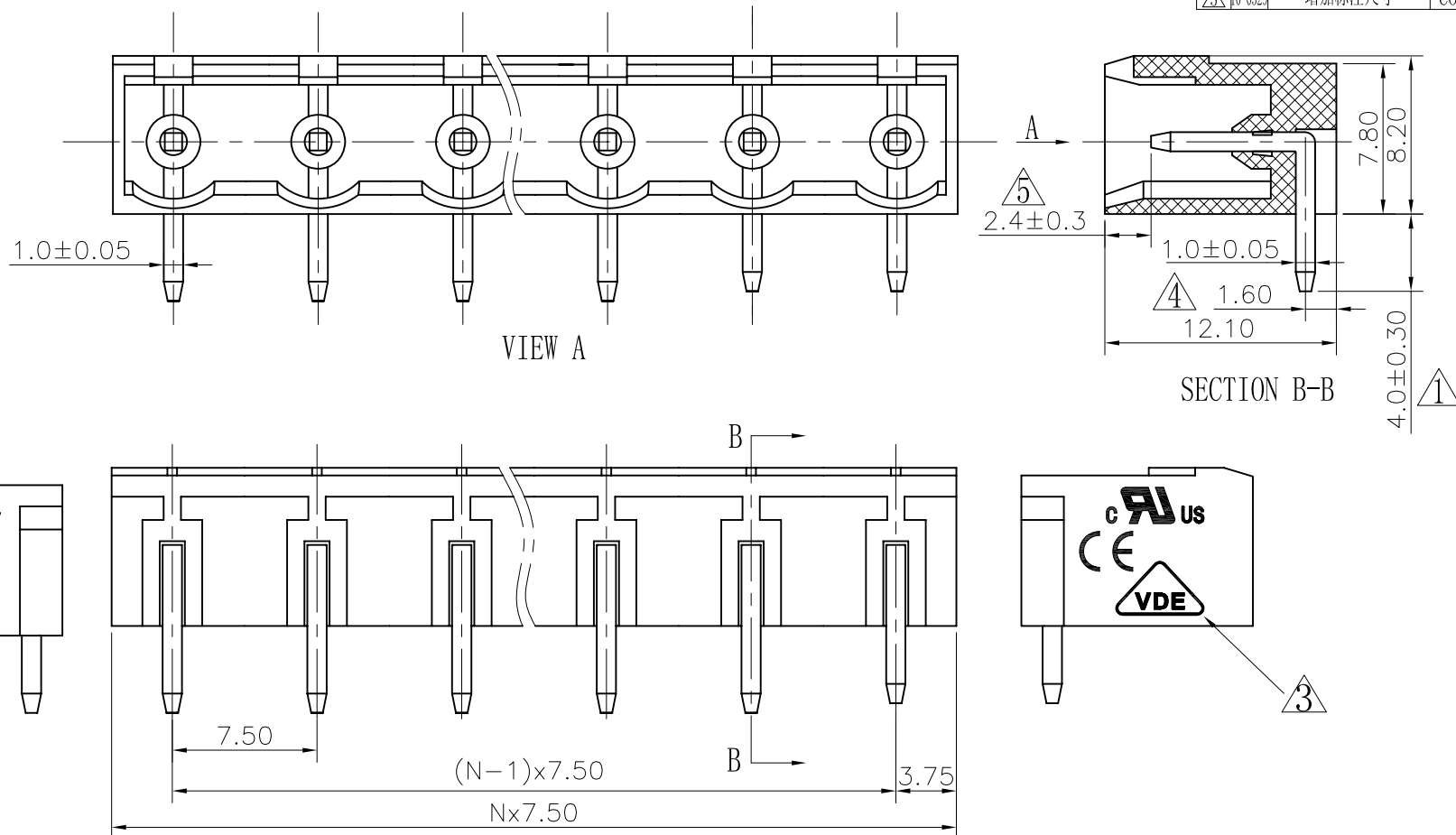


REVISION RECORD				
REV	ECO	DESCRIPTION	DRFT	DATE
1		4.5±0.1变更到4.0±0.3	DZJ	06/14/05
2		图面更新	CSX	05/04/06
3		增加VDE、CE刻字	Ye j	02/27/08*
4		更新图面	LJH	04/16/08*
10-0329		增加标注尺寸	COCO	10/05/10*



Notes:

1. Pitch: 7.5mm, Poles: 2-24P
2. Rated voltage/current: UL 300V/15A
VDE 400V/20A
3. Operation temperatures: $-40^{\circ}\text{C} \sim +105^{\circ}\text{C}$
4. Withstanding Voltage: AC2000V/1min
5. Insulation Resistance: $5000\text{M}\Omega / \text{DC}1000\text{V}$
6. Undimensioned Tolerances:

ITEM	NAME OF PART	NO. OF PART	Q'TY	MATERIAL	NOTES												
2	2EDGR Pin header	1008B00040 (H)	XX	Brass	SnCe												
<table border="1"> <tr> <td>← MM (INCH) →</td> <td>DFTO Zhuwm</td> <td>DATE 08/02/04</td> </tr> <tr> <td>TOLERANCES EXCEPT AS NOTED</td> <td>CHKD</td> <td>DATE</td> </tr> <tr> <td></td> <td>MFO</td> <td>DATE</td> </tr> <tr> <td></td> <td>APPLV</td> <td>DATE</td> </tr> </table>		← MM (INCH) →	DFTO Zhuwm	DATE 08/02/04	TOLERANCES EXCEPT AS NOTED	CHKD	DATE		MFO	DATE		APPLV	DATE	<p>DEGSON 宁波高正电子有限公司 DEGSON ELECTRONICS CO., LTD</p> <p>NAME 2EDGRC-7.5-XXP-1Y-00A(H)</p> <p>DRAWING NO. 2EDGRC-7.5-E01 /PART NO.</p> <p>SCALE: 1:1</p> <p>DO NOT SCALE DRAWING</p>			
← MM (INCH) →	DFTO Zhuwm	DATE 08/02/04															
TOLERANCES EXCEPT AS NOTED	CHKD	DATE															
	MFO	DATE															
	APPLV	DATE															
<table border="1"> <tr> <td>MM</td> <td>±</td> </tr> <tr> <td>.00 ±</td> <td>±</td> </tr> <tr> <td>.000 ±</td> <td>±</td> </tr> </table>		MM	±	.00 ±	±	.000 ±	±	G.E.:		<table border="1"> <tr> <td>SIZE</td> <td>REV</td> </tr> <tr> <td>A3</td> <td>T5</td> </tr> <tr> <td colspan="2">10/05/10*</td> </tr> </table>		SIZE	REV	A3	T5	10/05/10*	
MM	±																
.00 ±	±																
.000 ±	±																
SIZE	REV																
A3	T5																
10/05/10*																	
THIRD ANGLE PROJECTION		SCALE: 1:1		SHEET 1 OF 1													