

## Data sheet

Commercial Art.No.: 46.051.4153.6

Connector RST16i5 S B1 ZT5S A TB

RST16i5 connector, 5 pole, female, screw connection, application 250V with PE, 16A, for cable diameters 10-14.5mm, coding color turquoise blue, color of housing black



Commercial Art.No.	46.051.4153.6
EAN	4049088255748
Order Unit	1

Certificates / Approvals



## Technical data

### General

Rated current	16 A
Rated voltage	250 V
Rated impulse voltage	4 kV
strain relief	yes
Pollution degree	3
Lockable	self-locking (unlocking by hand)
Color of coding/ contact carrier	turquoise blue
Marking of poles	L, N, PE, 1, 2
Color of housing inclusive strain relief	black

### Connection Data

Cable diameter max.	14.5 mm
Cable diameter min.	10 mm
Connection cross section solid mm <sup>2</sup> max.	2.5 mm <sup>2</sup>
Connection cross section solid mm <sup>2</sup> min.	0.25 mm <sup>2</sup>
Connection cross section fine stranded mm <sup>2</sup> max.	2.5 mm <sup>2</sup>
Connection cross section fine stranded mm <sup>2</sup> min.	0.25 mm <sup>2</sup>
Terminations per pole	1
sheath strip length	25 mm
Wire strip length	8 mm

### Model

Model	female
Connection type	screw connection
Degree of protection (IP)	IP66/68 (3m;2h) /IP69

**Material**

Housing material	Polyamide
halogen free	yes
Contact material	CuZn
Fire load	0.193 kWh
Insulation components continuous temperature	100 °C
Surface finish	Silver-plated

**Dimensions**

Width	27 mm
Height	27 mm

**Note**

Note	RST® terminals with screw clamping allow the connection of conductors without special preparation (without ferrules) according to EN 60999-1.
------	---

**Classification**

ECLASS 11	
ECLASS 8.1	27440605
ETIM 7.0	EC002560
ETIM 6.0	EC002560
ETIM 5.0	EC002560
ETIM 4.0	EC002560

**Accessories**

Commercial Art.No.:	Article-type description:	Description:
06.563.9053.1	Cover for female connector SW	RST16i5/4 cover piece, for covering unused female connectors, color black
06.563.9153.1	Cover for female connector SW	RST16i5/4 cover piece, for covering unused female connectors, with fastening belt, color black

**Fits with**

Commercial Art.No.:	Article-type description:	Description:
46.052.5053.6	Device connector RST16i5 S S1 M03 A TB	RST16i5 device connector M20,2, 5 pole, male, screw connection, application 250V with PE, 16A, coding color turquoise blue
46.050.1253.6	Distributor RST16i5V 2P1 TGVGA TB	RST16i5 distribution block, 5 pole, application 250V with PE, 16 A, 1 input and 2 outputs, 1 input and 2 outputs, coding color turquoise blue
46.052.4153.6	Connector RST16i5 S S1 ZT5S A TB	RST16i5 connector, 5 pole, male, screw connection, application 250V with PE, 16A, for cable diameters 10-14.5mm, coding color turquoise blue, color of housing black
46.052.M053.6	Device connector RST16i5 S D03 MTB	RST16i5 modular device connector M20, 5 pole, male, spring clamp connection, with automatic wiring option, application 250V with PE, 16A, coding color turquoise blue
46.052.M0L0.6	Device connector RST16i5 2 D03 MTB	RST16i5 modular device connector with longitudinal sealing M20, 5 pole, male, spring clamp connection, with automatic wiring option, application 250V with PE, 16A, coding color turquoise blue

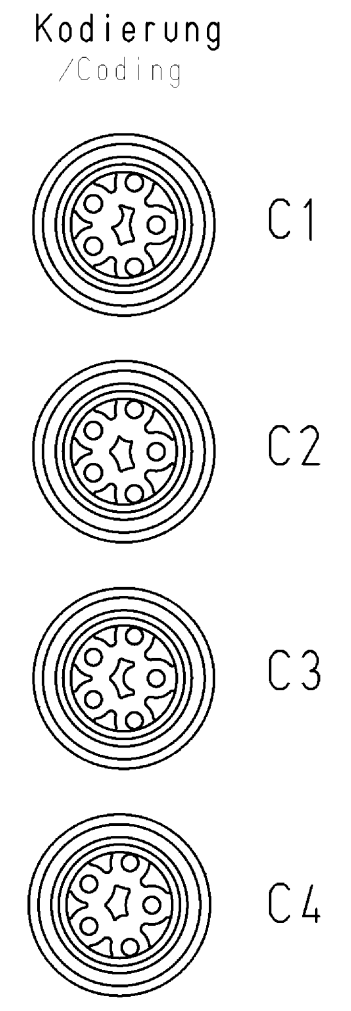
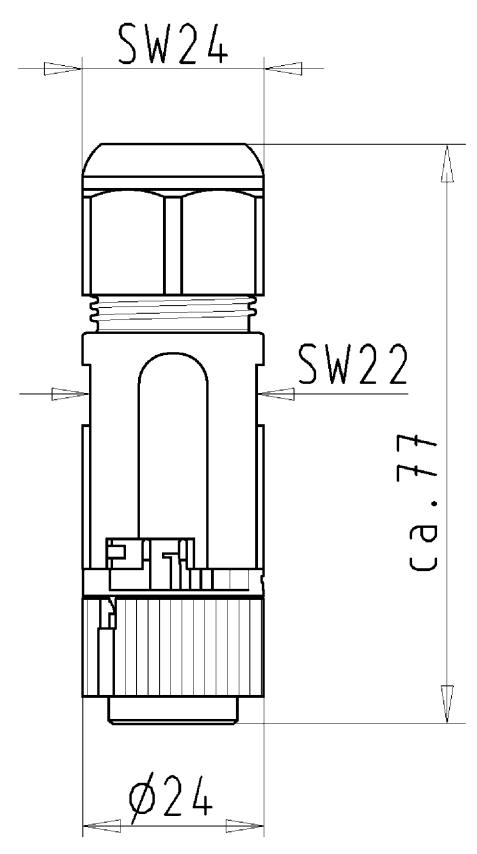
These dimensions will be especially checked at delivery  
Only inspection dimensions  
With /E marked dimensions are only valid for internal use

Diese Maße werden bei Abnahme besonders geprüft  
Ausschließlich Prüfmaße  
Mit /E gekennzeichnete Maße sind nur für interne Zwecke gültig

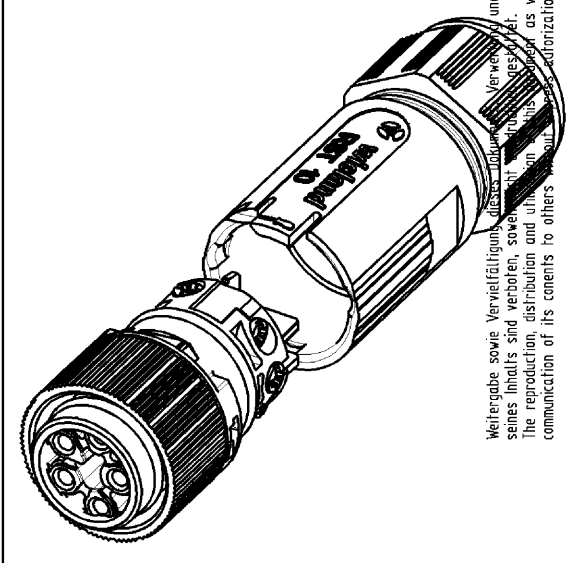
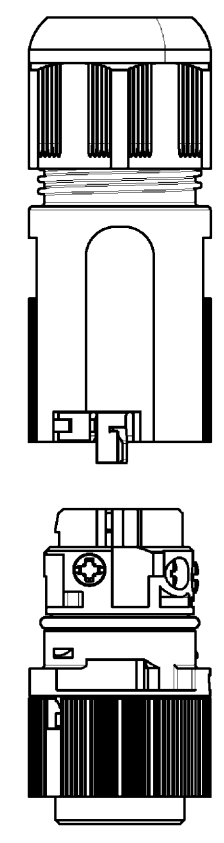
These dimensions will be especially checked at delivery  
Only inspection dimensions  
With /E marked dimensions are only valid for internal use

These dimensions will be especially checked at delivery  
Only inspection dimensions  
With /E marked dimensions are only valid for internal use

These dimensions will be especially checked at delivery  
Only inspection dimensions  
With /E marked dimensions are only valid for internal use



Auslieferungszustand/  
delivery condition



Weitergabe sowie Vervielfältigung, Verbreitung und Mitteilung seines Inhalts sind verboten, soweit dies durch den Hersteller als Eigentum geschützt ist. The reproduction, distribution and utilization of this document, as well as the communication of its contents to others without the authorization of the manufacturer is prohibited.

46.051.4153.9	RST1615S B1 ZW4S H	BL	C4	lichtblau /light blue
46.051.4150.4	RST1615S B1 ZW4S L	BR	C3	signalbraun /signal brown
46.051.4153.6	RST1615S B1 ZW4S A	TB	C2	türkisblau /turquoise blue
46.051.4153.1	RST1615S B1 ZW4	SW	C1	schwarz /black
46.051.4153.0	RST1615S B1 ZW4	GL	C1	lichtgrau /light grey

Bestellnummer /Order number	Typ /Type	Kodierung /Coding	Farbe /Colour
--------------------------------	--------------	----------------------	------------------

Weitere Daten siehe KATALOG oder eKatalog.  
Additional data see CATALOG or eCatalog.  
[www.wieland-electric.com](http://www.wieland-electric.com)  
[eshop.wieland-electric.com](http://eshop.wieland-electric.com)

Tolerierung Size ISO 14405 (E) / Tolerance system Size ISO 14405 (E).  
(This ISO-standard describes the envelope principle. According to the envelope principle the deviations of form and parallelism are limited by the size tolerances).

ja/yes  Stoffverbots- und Deklarationsliste nach UU-TQM-05/03 ist einzuhalten.  
Conformity with Wieland document UU-TQM-05/03 (list of prohibited / declarable hazardous substances) to be declared!

Freitoleranz nach General tolerance		CAD - Zeichnung, keine manuellen Änderungen CAD - drawing, no manual modifications allowed		1. Verwendung: First Use:		Blatt: 1 von 1 Sheet: of 1	
/		Werkstoff/Material		2014 Tag/Date Name		Zeichnung Nr./Drawing No. Index	
/		Maßstab/Scale		gezeichnet drawn 13.02. Winkler		T 46.051.4153.0 13K	
/		1:1		geprüft checked - -		Maße in mm/Dimensions are in mm	
/		Vol. mm <sup>3</sup> Ofl./Surf. mm <sup>2</sup>		Normgepr. Stand. check - -		Ersatz für/Replacement for: -	
/		www.wieland-electric.com		Type		Benennung/Tittle	
/		www.wieland-electric.com		RST16..		BUCHSENTEIL mit Zugentlastung, 5 polig female connector with strain relief, 5 poles	
Index Date / Blatt Date / Sheet		Änderung/Revision					

460514153013K\_2 CADW3028\_Treschan 2014-04-01 11:07:52:40 1.000