

Data sheet

Commercial Art.No.: 96.051.5053.6

Device connector RST20i5S B1 M01 A TB0

RST20i5 device connector M25, 5 pole, female, screw connection, application 250V with PE, 20A, coding color turquoise blue



Commercial Art.No.	96.051.5053.6
EAN	4015573877542
Order Unit	1

Certificates / Approvals



LR

RINA



Technical data

General

Rated current	20 A
Rated voltage	250 V
Pollution degree	3
Rated impulse voltage	4 kV
Lockable	self-locking (unlocking by tool)
Color of coding/ contact carrier	turquoise blue
Marking of poles	D1, D2, L, PE, N

Connection Data

Connection cross section solid mm ² max.	4 mm ²
Connection cross section solid mm ² min.	0.75 mm ²
Connection cross section solid AWG min.	18 AWG
Connection cross section solid AWG max.	14 AWG
Connection cross section fine stranded mm ² max.	4 mm ²
Connection cross section fine stranded mm ² min.	0.75 mm ²
Terminations per pole	1
Wire strip length	8 mm
Connection cross section stranded AWG min.	18 AWG
Connection cross section stranded AWG max.	14 AWG

Model

Model	female
Connection type	screw connection
Connecting thread metric	M25

Angle of plug	straight
Degree of protection (IP)	IP66/68 (3m;2h) /IP69
Thickness of housings (electrical device) 2	0.5 mm
Thickness of housings (electrical device)	8 mm

Material

Housing material	Polyamide
halogen free	yes
Contact material	CuZn
Fire load	0.135 kWh
Insulation components continuous temperature	100 °C
Surface finish	Silver-plated

Dimensions

Length	51.4 mm
Width	35 mm
Height	35 mm

Classification

ECLASS 11	
ECLASS 8.1	27440602
ETIM 7.0	EC002566
ETIM 6.0	EC002566
ETIM 5.0	EC002566
ETIM 4.0	EC002566

Note

Note	RST® terminals with screw clamping allow the connection of conductors without special preparation (without ferrules) according to EN 60999-1.; Positioning realised with flattened thread
------	---

Product compliance

ROHS conformity status	Compliant/Exempted
ROHS exceptions	III-6(c)
REACH-SVHC conformity status	Duty-To-Declare
REACH-SVHC substances	Lead
REACH-SVHC CAS numbers	7439-92-1

Accessories

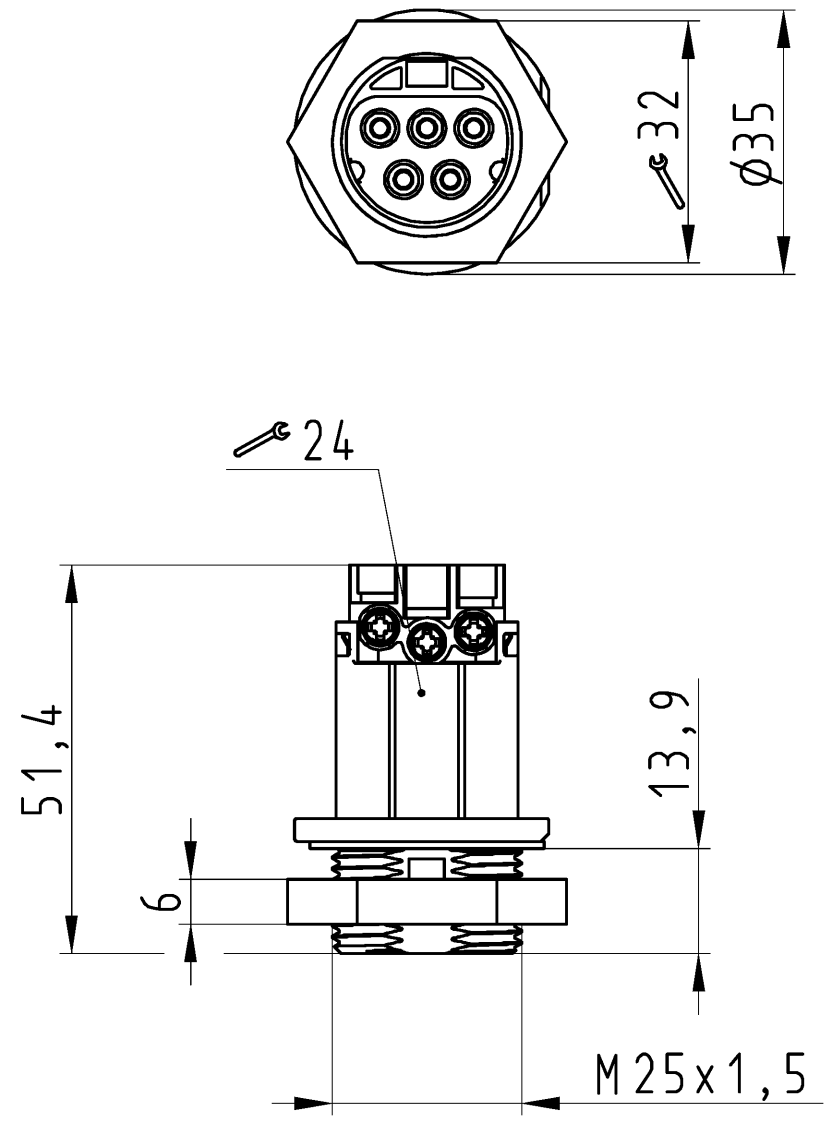
Commercial Art.No.:	Article-type description:	Description:
05.566.5253.1	Spacer ring RST	RST20/25 distance ring, for device connectors to ensure unlocking with screwdriver, color black
99.530.0000.7	Cover for female connector SW	RST20i5/4 cover piece, for covering unused female connectors, with fastening belt, color black
Z5.565.9853.1	Cover for female connector SW	RST20i5/4 cover piece, for covering unused female connectors, color black
05.564.8653.1	Opener RST20i3/i5 SCHWARZ	Manual disconnect for later installation of RST connectors, color black

Fits with

Commercial Art.No.:	Article-type description:	Description:
96.052.4053.6	Connector RST20I5S S1 ZR1SVA TB0	RST20i5 connector, 5 pole, male, screw connection, application 250V with PE, 20A, for cable diameters 6-10mm, coding color turquoise blue, color of housing black
96.052.4153.6	Connector RST20I5S S1 ZR2SVA TB0	RST20i5 connector, 5 pole, male, screw connection, application 250V with PE, 20A, for cable diameters 10-14mm, coding color turquoise blue, color of housing black
96.052.4553.6	Connector RST20I5S S1 ZR3SVA TB0	RST20i5 connector, 5 pole, male, screw connection, application 250V with PE, 20A, for cable diameters 14-18mm, coding color turquoise blue, color of housing black
96.054.4053.6	Connector RST20I5S S1 YR1SV TB04	RST20i5 connector (90° angled), 5 pole, male, screw connection, application 250V with PE, 20A, for cable diameters 6-10mm, coding color turquoise blue, color of housing black
96.054.4153.6	Connector RST20I5S S1 YR2SV TB04	RST20i5 connector (90° angled), 5 pole, male, screw connection, application 250V with PE, 20A, for cable diameters 10-14mm, coding color turquoise blue, color of housing black
96.052.4253.6	Connector RST20I5S B1 ZRXS TB04	RST20i5 splitter connector, 5 pole, male, screw connection, application 250V with PE, 20A, for cable diameters 6-10mm, coding color turquoise blue, color of housing black

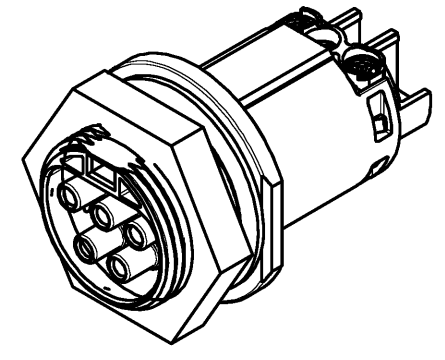
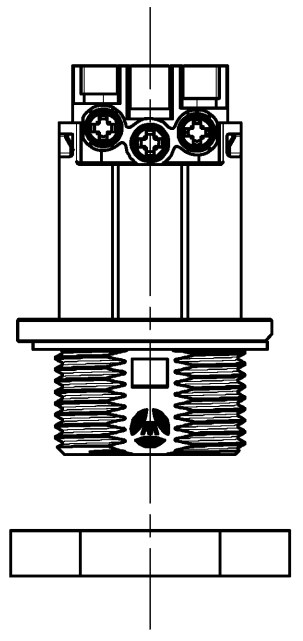
These dimensions will be especially checked at delivery
Only inspection dimensions
With /E marked dimensions are only valid for internal use

Diese Maße werden bei Abnahme besonders geprüft
Ausschließlich Prüfmaße
Mit /E gekennzeichnete Maße sind nur für interne Zwecke gültig



Öffnungsmassbild siehe 96.031.1053.1 14K
opening dimension see 96.031.1053.1 14K

Auslieferungszustand
delivery status



Verpackungseinheit: je 100 Stück
packaging unit: per 100

96.051.5053.6	RST2015S B1 M01VA TB04	türkisblau /turquoiseblue
Bestellnummer /Order number	Typ /Type	Farbe /color
Weitere Daten siehe KATALOG oder eKatalog. Additional data see CATALOG or eCatalog.		www.wieland-electric.com eshop.wieland-electric.com

Tolerierung Size ISO 14405(®)/Tolerance system Size ISO 14405(®). (This ISO-standard describes the envelope principle. According to the envelope principle the deviations of form and parallelism are limited by the size tolerances).				ja/yes <input checked="" type="checkbox"/> Stoffverbots- und Deklarationsliste nach WN 5020.010 ist einzuhalten. Conformity with Wieland document WN 5020.010 e (list of prohibited / declarable hazardous substances) to be declared!			
Freitoleranz nach General tolerance		CAD - Zeichnung, keine manuellen Änderungen CAD - drawing, no manual modifications allowed		1.Verwendung: - First Use:		Blatt: 1 von 1 Sheet: of 1	
/		Werkstoff/Material		2015 Tag/Date Name		Zeichnung Nr./Drawing No.	
/		Maßstab/Scale		gezeichnet drawn 17.07. Nagengast F.		96.051.5053.6 13K	
/		1:1		geprüft checked - -		Maße in mm/Dimensions are in mm	
/		Vol. mm³ Of l./Surf. mm²		Normgepr. Stand. check - -		Ersatz für/Replacement for: -	
/		www.wieland-electric.com		Type		Benennung/Title	
Index Datum / Blatt Date / Sheet		www.wieland-electric.com				BUCHSENTEIL female connector	
Änderung/Revision							

Weitergabe sowie Vervielfältigung dieses Dokuments, Verwertung und Mitteilung seines Inhalts sind verboten, soweit nicht ausdrücklich gestattet.
The reproduction, distribution and utilization of this document as well as the communication of its contents to others without express authorization is prohibited.

1
2
3
4
5
6
7
8
9
10
11
12
13
14
15
16
17
18
19
20
M1
M2
M3
L
G
i
11.1
12.1
1.1