

## Typical Application



**QX-FC-260**

Household Appliance  
 ■ Hair Dryer/Hair Clip  
 ■ Door Lock Actuator

Automotive Product  
 ■ Retractable Rearview Mirror

Carbon-brush motor

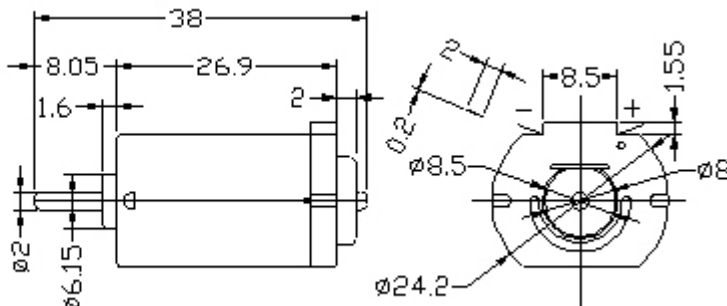
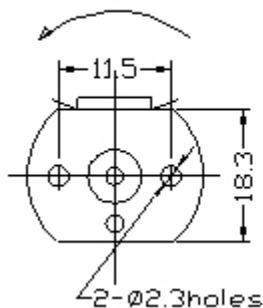
Output : Approx 0.3W ~ 18W

Model	Voltage		Free load		At Max. Efficiency				Stall Torque (g.cm)
	Operating range	Normal Voltage (V)	Speed (r.p.m.)	Current (A)	Speed (r.p.m.)	Current (A)	Torque (g.cm)	Output (W)	
QX-FC-260-2670	3~6	4.5	14000	0.27	11600	1.33	29	3.45	180
QX-FC-260-10300	6~26	24	17300	0.07	14100	0.31	29	4.19	158
QX-FC-260-12250	6~28	24	20000	0.10	16700	0.50	35	6.0	210

## Dimensions

Unit: mm

DIRECTION OF ROTATION



Weight: 28g (Approx)

## Characteristic Curve

QX-FC-260-2670 4.5V

