

Constant Current Driver

Model: CC15WYYY
CC18WYYY



Model	Output Current	Input Current	Input Power	Output Power Range	PF	Efficiency	Output Voltage	No load Voltage
CC15W600	600mA	0.12A	19W	10.5-14.7W	0.92	84%	16-25V	40V
CC18W350	350mA	0.12A	22W	12.6-17.5W	0.92	86%	36-50V	65V
CC18W400	400mA	0.12A	21W	12-16.8W	0.92	86%	30-42V	55V
CC18W450	450mA	0.12A	22W	13.5-18.4W	0.92	86%	30-40V	55V
CC18W500	500mA	0.12A	24W	13.5-19W	0.92	86%	27-38V	55V
CC18W550	550mA	0.12A	22W	12.1-17.6W	0.92	86%	22-32V	45V
CC18W600	600mA	0.12A	22W	13.2-18W	0.92	85%	22-30V	45V
CC18W650	650mA	0.12A	20W	10.4-16.3W	0.92	86%	16-25V	40V
CC18W700	700mA	0.12A	22W	9.8-15.4W	0.92	86%	16-25V	40V
CC18W750	750mA	0.12A	20W	10.5-16.5W	0.92	86%	14-22V	35V
CC18W800	800mA	0.12A	22W	11.2-17.6W	0.92	86%	14-22V	35V
CC18W850	850mA	0.12A	21W	10.2-17W	0.92	86%	12-20V	35V
CC18W900	900mA	0.12A	23W	10.8-18W	0.92	86%	12-20V	35V

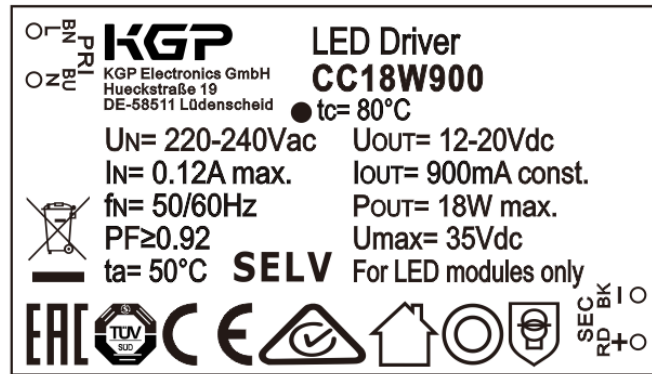
* Test result @230V, 50Hz, Full Load.

1. Parameters

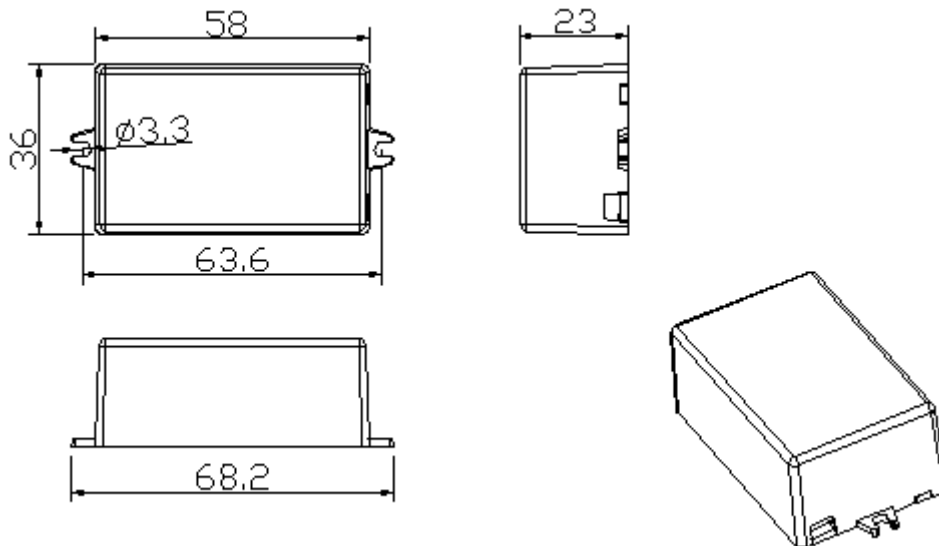
category	Item	Technical Norm
Features	Output Type	Constant Current
	IP Grade	IP20
	Insulation Class	Class II
Input	Rated Input Voltage	220-240VAC
	Range of Input Voltage	198-264VAC
	Frequency	50/60Hz
	Input Current	≤0.12A (198VAC, full load)
	Input Power	≤ 24W (230VAC, full load)
	Power Factor	≥0.92 (230VAC, full load)
	THD	≤15% (230VAC, full load)
	No-load Power Consumption	≤0.5W @230VAC
Inrush Current	≤15A/350us (230VAC,Full-load)	

	Connected quantity of 16A Breaker	15pcs/type B ; 24pcs/type C @ 230Vac
Output	Current Accuracy	± 5%(400MA,450MA, 500MA,550MA,600MA, 650MA,700MA,750MA,800MA,850MA, 900MA) ± 6% (350MA)
	Max. Output Power	19W
	Started Delay Time	≤0.5S (230VAC, full load)
	Current Ripple	± 5% (Imax-Imin) / (Imax+Imin)
Protection	Short Circuit Protection	Auto Recovery
	Overload Protection	Auto Recovery
	No-load Protection	Auto Recovery
	Insulation voltage	I/P to O/P , 3KVac/1min
	Insulation resistance	>100M ohm @ 500VDC
	Leakage current	I/P to O/P < 250 μ A
Environment	Ta/Operation Temperature	-20....+50℃
	Ts/Storage Temperature	-25....+80℃
	Tc/Enclosure Temperature	80 ℃
	Humidity	10%....90%RH
	Atmosphere	86-108KPa
Construction	Connection Method	Direct Lead
	Installation	Build-in
	PRI Wire preparation	0.5-1.5□
	SEC Wire preparation	0.5-1.5□
	Dimension	58X36X23mm (L*W*H)
Standards	Certification	TUV、CE、SAA
	Safety Standards	EN61347-1:2015,EN61347-2-13:2014/A1:2017, EN62493:2015, AS/NZS IEC61347.2.13:2013, AS/NZS 61347.1:2016
	EMC Standards	EN55015:2013/A1:2015,EN61000-3-2:2014,EN61000-3-3:2013,EN61547:2009
	Performance	EN62384
	Surge	L-N/1KV
Others	RoHS	complied to 2011/65/EU
	Life Time	50,000h @50℃ (Ta) / @80℃ (Tc)
	Warranty	5years , F.R. < 10000ppm
Remark 1. All Parameters, if not specified, are measured at 230VAC/50Hz and 25℃ ambient temperature. 2. LED Driver is a component of the luminaires , Luminaires and wire layout will affect the EMC, please check the EMC with end products again.		

2. Label (For example)



3. Dimension (Unit: mm)



4. Packing information

Carton L*W*H(mm)	Pcs/Carton	Net weight/ Pcs(kg)	Net weight/ Carton(kg)	Gross weight / Carton(kg)
450*240*200	270	0.08	21.6	22.4

5. Wiring Diagram

